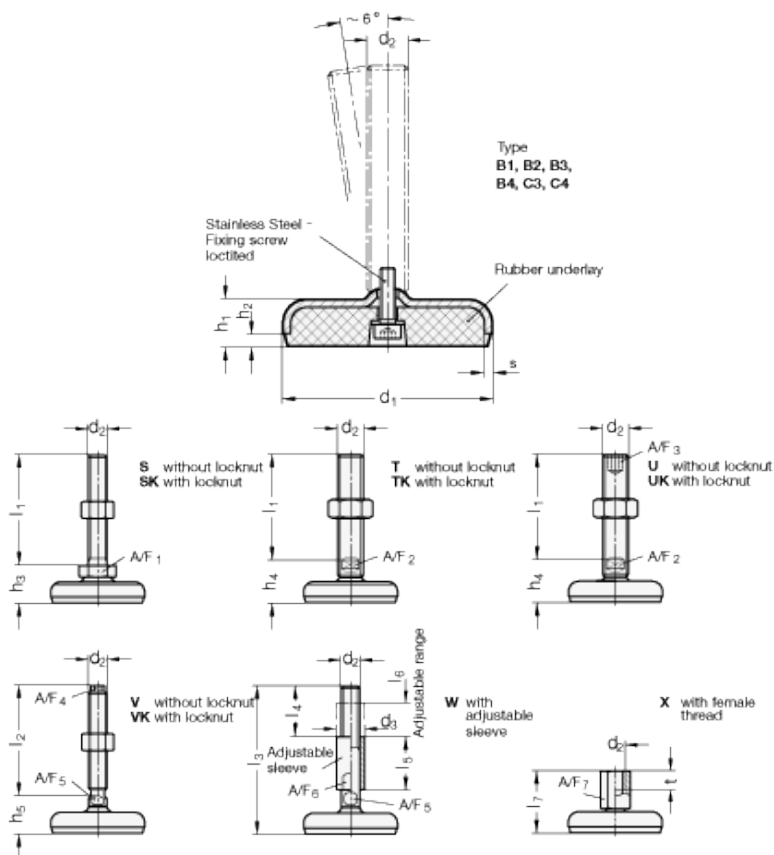


# GN 31 (ex GN 341 - GN 341.1 - GN 341.2 - GN 340.5)

Stainless Steel - Levelling feet



**INOX**  
Stainless Steel



## technical informations

### Specification

#### Type (Base plate)

- Type B1: matt shot-blasted, rubber, inlaid, black
- Type B2: matt shot-blasted, rubber, inlaid, white
- Type B3: matt shot-blasted, rubber, vulcanised, black
- Type B4: matt shot-blasted, rubber, vulcanised, white
- Type C3: polished, rubber, vulcanised, black
- Type C4: polished, rubber, vulcanised, white

#### Version of the threaded stem

- Version S: without nut, External hexagon at the bottom
- Version SK: with nut, External hexagon at the bottom
- Version T: without nut, Wrench flat at the bottom, "not dipping" version
- Version TK: with nut, Wrench flat at the bottom, "not dipping" version
- Version U: without nut, Hexagon socket at the top, Wrench flat at the bottom
- Version UK: with nut, Hexagon socket at the top, Wrench flat at the bottom
- Version V: without nut, External hexagon at the top, Wrench flat at the bottom
- Version VK: with nut, External hexagon at the top, Wrench flat at the bottom
- Version W: with adjustable sleeve, Hygienic Version, Wrench flat at the bottom
- Version X: with female thread, External hexagon

Base plate, sheet metal  
Stainless Steel AISI 304

Threaded stem  
Stainless Steel AISI 303

Hexagon nut ISO 4302  
Stainless Steel AISI 304

Rubber underlay, inlaid  
- black: Perbunan® (NBR)80±5 Shore A  
- white: Perbunan® (NBR)80±5 Shore A

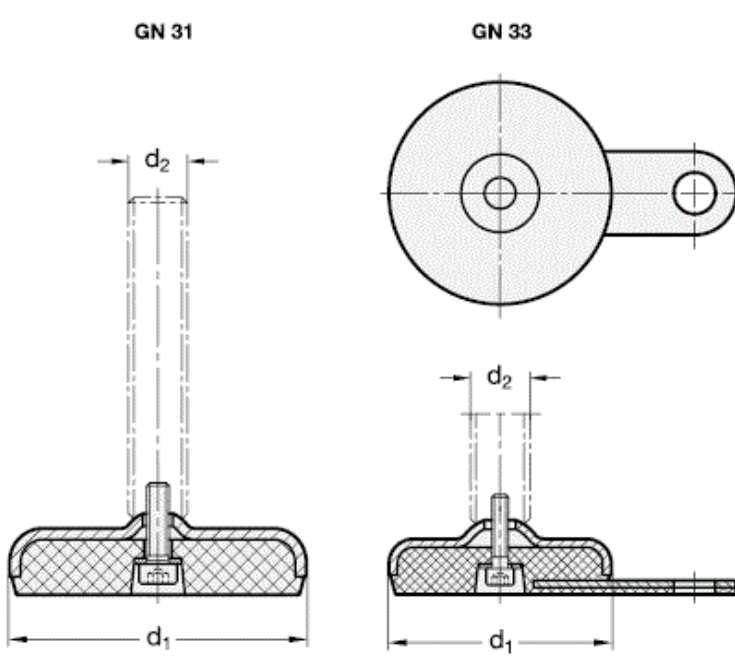
Rubber underlay, vulcanised  
- black: Perbunan® (NBR)80±5 Shore A  
- white: Perbunan® (NBR)80±5 Shore A

#### Information

Stainless Steel-Levelling feet GN 31 with vulcanised rubber (Type B3, B4, C3 and C4) and the screw version W represent a hygienic version who obtained the EQUIPMENT ACCEPTANCE CERTIFICATE USDA (US Department of Agriculture).

Stainless Steel-Levelling feet GN 31 will be delivered mounted and are not removable.

#### Load rating of Stainless Steel-Levelling feet



**GN 31**                      **GN 33**

### Informacje

Obciążenia statyczne podane w tabeli są rezultatem serii prób laboratoryjnych.

Obciążenie pionowe zostało przyłożone bezpośrednio do podstawy. Po ustaniu obciążenia podanego w tabeli może nastąpić niewielka deformacja podstawy.

Wytrzymałość na zginanie i wyboczenie trzpienia, musi być brana pod uwagę przy doborze odpowiedniego rozmiaru stopy. Przyjmuje się, że wytrzymałość trzpienia ma wartość  $\geq 500$  N/mm<sup>2</sup>.

Maksymalne obciążenia podane w tabeli nie są wiążące i nie mogą być podstawą do roszczeń gwarancyjnych.

Użytkownik powinien dokonać doboru stopy w sposób indywidualny dla każdej aplikacji.

To na nim spoczywa obowiązek ustalenia czy dany rozmiar stopy jest odpowiedni. Czynniki zewnętrzne mogą wpływać na wartości obciążeń przedstawionych w tabeli.

d <sub>1</sub>	d <sub>2</sub>	Obciążenie statyczne w [kN]									
		Wykonania gwintowanych trzpieni									
		S / SK		T / TK y U / UK		V / VK		W		X	
Guma czarna	Guma biała	Guma czarna	Guma biała	Guma czarna	Guma biała	Guma czarna	Guma biała	Guma czarna	Guma biała	Guma czarna	Guma biała
50	M 8	8	8	-	-	-	-	-	-	8	8
50	M 10	14	14	-	-	-	-	-	-	13	13
50	M 12	20	20	-	-	-	-	-	-	20	20
50	M 16	-	-	28	28	-	-	-	-	28	25
60	M 8	8	8	-	-	-	-	-	-	8	8
60	M 10	14	14	-	-	-	-	-	-	13	13
60	M 12	20	20	-	-	-	-	-	-	20	20
60	M 16	-	-	28	25	27	27	27	27	28	25
80	M 8	8	8	-	-	-	-	-	-	8	8
80	M 10	14	14	-	-	-	-	-	-	13	13
80	M 12	19	15	-	-	-	-	-	-	15	15
80	M 16	-	-	19	15	24	24	24	24	19	15
80	M 20	-	-	19	15	24	24	24	24	19	15
80	M 24	-	-	19	15	24	24	24	24	-	-
100	M 8	8	8	-	-	-	-	-	-	8	8
100	M 10	14	14	-	-	-	-	-	-	13	13
100	M 12	17	14	-	-	-	-	-	-	17	14
100	M 16	-	-	17	14	21	21	21	21	17	14
100	M 20	-	-	17	14	21	21	21	21	17	14
100	M 24	-	-	17	14	21	21	21	21	-	-
120	M 20	-	-	25	22	-	-	-	-	25	22
120	M 24	-	-	25	22	-	-	-	-	-	-
120	M 30	-	-	25	22	-	-	-	-	-	-

Standard Elements	Main dimensions								Weight
Description	d <sub>1</sub>	d <sub>2</sub>	l <sub>1</sub>	h <sub>1</sub>	h <sub>2</sub>	h <sub>3+4.0/0</sub>	s	A/F <sub>1</sub>	g
GN 31-50-M8-40-B1-S*	50	M8	40	15.4	3.5	23	3	17	-
GN 31-50-M8-40-B2-S*	50	M8	40	14.5	3.5	23	3	17	-
GN 31-50-M8-50-B1-S*	50	M8	50	14.5	3.5	23	3	17	-
GN 31-50-M8-50-B2-S*	50	M8	50	14.5	3.5	23	3	17	-
GN 31-50-M8-63-B1-S*	50	M8	63	14.5	3.5	23	3	17	-
GN 31-50-M8-63-B2-S*	50	M8	63	14.5	3.5	23	3	17	-
GN 31-50-M10-50-B1-S*	50	M10	50	14.5	3.5	23	3	17	-
GN 31-50-M10-50-B2-S*	50	M10	50	14.5	3.5	23	3	17	-
GN 31-50-M10-60-B1-S*	50	M10	60	14.5	3.5	23	3	17	-
GN 31-50-M10-60-B2-S*	50	M10	60	14.5	3.5	23	3	17	-
GN 31-50-M10-80-B1-S*	50	M10	80	14.5	3.5	23	3	17	-
GN 31-50-M10-80-B2-S*	50	M10	80	14.5	3.5	23	3	17	-
GN 31-50-M10-100-B1-S*	50	M10	100	14.5	3.5	23	3	17	-
GN 31-50-M10-100-B2-S*	50	M10	100	14.5	3.5	23	3	17	-
GN 31-50-M12-60-B1-S*	50	M12	60	14.5	3.5	23	3	17	-
GN 31-50-M12-60-B2-S*	50	M12	60	14.5	3.5	23	3	17	-
GN 31-50-M12-80-B1-S*	50	M12	80	14.5	3.5	23	3	17	-
GN 31-50-M12-80-B2-S*	50	M12	80	14.5	3.5	23	3	17	-
GN 31-50-M12-100-B1-S*	50	M12	100	14.5	3.5	23	3	17	-
GN 31-50-M12-100-B2-S*	50	M12	100	14.5	3.5	23	3	17	-
GN 31-50-M12-125-B1-S*	50	M12	125	14.5	3.5	23	3	17	-

GN 31-50-M12-125-B2-S*	50	M12	125	14.5	3.5	23	3	17	-
GN 31-60-M8-40-B1-S*	60	M8	40	16	4	26	3	17	-
GN 31-60-M8-40-B2-S*	60	M8	40	16	4	26	3	17	-
GN 31-60-M8-40-B3-S*	60	M8	40	16	4	26	3	17	-
GN 31-60-M8-40-B4-S*	60	M8	40	16	4	26	3	17	-
GN 31-60-M8-40-C3-S*	60	M8	40	16	4	26	3	17	-
GN 31-60-M8-40-C4-S*	60	M8	40	16	4	26	3	17	-
GN 31-60-M8-50-B1-S*	60	M8	50	16	4	26	3	17	-
GN 31-60-M8-50-B2-S*	60	M8	50	16	4	26	3	17	-
GN 31-60-M8-50-B3-S*	60	M8	50	16	4	26	3	17	-
GN 31-60-M8-50-B4-S*	60	M8	50	16	4	26	3	17	-
GN 31-60-M8-50-C3-S*	60	M8	50	16	4	26	3	17	-
GN 31-60-M8-50-C4-S*	60	M8	50	16	4	26	3	17	-
GN 31-60-M8-63-B1-S*	60	M8	63	16	4	26	3	17	-
GN 31-60-M8-63-B2-S*	60	M8	63	16	4	26	3	17	-
GN 31-60-M8-63-B3-S*	60	M8	63	16	4	26	3	17	-
GN 31-60-M8-63-B4-S*	60	M8	63	16	4	26	3	17	-
GN 31-60-M8-63-C3-S*	60	M8	63	16	4	26	3	17	-
GN 31-60-M8-63-C4-S*	60	M8	63	16	4	26	3	17	-
GN 31-60-M10-50-B1-S*	60	M10	50	16	4	26	3	17	-
GN 31-60-M10-50-B2-S*	60	M10	50	16	4	26	3	17	-
GN 31-60-M10-50-B3-S*	60	M10	50	16	4	26	3	17	-
GN 31-60-M10-50-B4-S*	60	M10	50	16	4	26	3	17	-
GN 31-60-M10-50-C3-S*	60	M10	50	16	4	26	3	17	-
GN 31-60-M10-50-C4-S*	60	M10	50	16	4	26	3	17	-
GN 31-60-M10-60-B1-S*	60	M10	60	16	4	26	3	17	-
GN 31-60-M10-60-B2-S*	60	M10	60	16	4	26	3	17	-
GN 31-60-M10-60-B3-S*	60	M10	60	16	4	26	3	17	-
GN 31-60-M10-60-B4-S*	60	M10	60	16	4	26	3	17	-
GN 31-60-M10-60-C3-S*	60	M10	60	16	4	26	3	17	-
GN 31-60-M10-60-C4-S*	60	M10	60	16	4	26	3	17	-
GN 31-60-M10-80-B1-S*	60	M10	80	16	4	26	3	17	-
GN 31-60-M10-80-B2-S*	60	M10	80	16	4	26	3	17	-
GN 31-60-M10-80-B3-S*	60	M10	80	16	4	26	3	17	-
GN 31-60-M10-80-B4-S*	60	M10	80	16	4	26	3	17	-
GN 31-60-M10-80-C3-S*	60	M10	80	16	4	26	3	17	-
GN 31-60-M10-80-C4-S*	60	M10	80	16	4	26	3	17	-
GN 31-60-M10-100-B1-S*	60	M10	100	16	4	26	3	17	-
GN 31-60-M10-100-B2-S*	60	M10	100	16	4	26	3	17	-
GN 31-60-M10-100-B3-S*	60	M10	100	16	4	26	3	17	-
GN 31-60-M10-100-B4-S*	60	M10	100	16	4	26	3	17	-
GN 31-60-M10-100-C3-S*	60	M10	100	16	4	26	3	17	-
GN 31-60-M10-100-C4-S*	60	M10	100	16	4	26	3	17	-
GN 31-60-M12-60-B1-S*	60	M12	60	16	4	26	3	17	-
GN 31-60-M12-60-B2-S*	60	M12	60	16	4	26	3	17	-

GN 31-60-M12-60-B3-S*	60	M12	60	16	4	26	3	17	-
GN 31-60-M12-60-B4-S*	60	M12	60	16	4	26	3	17	-
GN 31-60-M12-60-C3-S*	60	M12	60	16	4	26	3	17	-
GN 31-60-M12-60-C4-S*	60	M12	60	16	4	26	3	17	-
GN 31-60-M12-80-B1-S*	60	M12	80	16	4	26	3	17	-
GN 31-60-M12-80-B2-S*	60	M12	80	16	4	26	3	17	-
GN 31-60-M12-80-B3-S*	60	M12	80	16	4	26	3	17	-
GN 31-60-M12-80-B4-S*	60	M12	80	16	4	26	3	17	-
GN 31-60-M12-80-C3-S*	60	M12	80	16	4	26	3	17	-
GN 31-60-M12-80-C4-S*	60	M12	80	16	4	26	3	17	-
GN 31-60-M12-100-B1-S*	60	M12	100	16	4	26	3	17	-
GN 31-60-M12-100-B2-S*	60	M12	100	16	4	26	3	17	-
GN 31-60-M12-100-B3-S*	60	M12	100	16	4	26	3	17	-
GN 31-60-M12-100-B4-S*	60	M12	100	16	4	26	3	17	-
GN 31-60-M12-100-C3-S*	60	M12	100	16	4	26	3	17	-
GN 31-60-M12-100-C4-S*	60	M12	100	16	4	26	3	17	-
GN 31-60-M12-125-B1-S*	60	M12	125	16	4	26	3	17	-
GN 31-60-M12-125-B2-S*	60	M12	125	16	4	26	3	17	-
GN 31-60-M12-125-B3-S*	60	M12	125	16	4	26	3	17	-
GN 31-60-M12-125-B4-S*	60	M12	125	16	4	26	3	17	-
GN 31-60-M12-125-C3-S*	60	M12	125	16	4	26	3	17	-
GN 31-60-M12-125-C4-S*	60	M12	125	16	4	26	3	17	-
GN 31-80-M8-40-B1-S*	80	M8	40	18	5	26	3	17	-
GN 31-80-M8-40-B2-S*	80	M8	40	18	5	26	3	17	-
GN 31-80-M8-40-B3-S*	80	M8	40	18	5	26	3	17	-
GN 31-80-M8-40-B4-S*	80	M8	40	18	5	26	3	17	-
GN 31-80-M8-40-C3-S*	80	M8	40	18	5	26	3	17	-
GN 31-80-M8-40-C4-S*	80	M8	40	18	5	26	3	17	-
GN 31-80-M8-50-B1-S*	80	M8	50	18	5	26	3	17	-
GN 31-80-M8-50-B2-S*	80	M8	50	18	5	26	3	17	-
GN 31-80-M8-50-B3-S*	80	M8	50	18	5	26	3	17	-
GN 31-80-M8-50-B4-S*	80	M8	50	18	5	26	3	17	-
GN 31-80-M8-50-C3-S*	80	M8	50	18	5	26	3	17	-
GN 31-80-M8-50-C4-S*	80	M8	50	18	5	26	3	17	-
GN 31-80-M8-63-B1-S*	80	M8	63	18	5	26	3	17	-
GN 31-80-M8-63-B2-S*	80	M8	63	18	5	26	3	17	-
GN 31-80-M8-63-B3-S*	80	M8	63	18	5	26	3	17	-
GN 31-80-M8-63-B4-S*	80	M8	63	18	5	26	3	17	-
GN 31-80-M8-63-C3-S*	80	M8	63	18	5	26	3	17	-
GN 31-80-M8-63-C4-S*	80	M8	63	18	5	26	3	17	-
GN 31-80-M10-50-B1-S*	80	M10	50	18	5	26	3	17	-
GN 31-80-M10-50-B2-S*	80	M10	50	18	5	26	3	17	-
GN 31-80-M10-50-B3-S*	80	M10	50	18	5	26	3	17	-
GN 31-80-M10-50-B4-S*	80	M10	50	18	5	26	3	17	-

GN 31-80-M10-50-C3-S*	80	M10	50	18	5	26	3	17	-
GN 31-80-M10-50-C4-S*	80	M10	50	18	5	26	3	17	-
GN 31-80-M10-60-B1-S*	80	M10	60	18	5	26	3	17	-
GN 31-80-M10-60-B2-S*	80	M10	60	18	5	26	3	17	-
GN 31-80-M10-60-B3-S*	80	M10	60	18	5	26	3	17	-
GN 31-80-M10-60-B4-S*	80	M10	60	18	5	26	3	17	-
GN 31-80-M10-60-C3-S*	80	M10	60	18	5	26	3	17	-
GN 31-80-M10-60-C4-S*	80	M10	60	18	5	26	3	17	-
GN 31-80-M10-80-B1-S*	80	M10	80	18	5	26	3	17	-
GN 31-80-M10-80-B2-S*	80	M10	80	18	5	26	3	17	-
GN 31-80-M10-80-B3-S*	80	M10	80	18	5	26	3	17	-
GN 31-80-M10-80-B4-S*	80	M10	80	18	5	26	3	17	-
GN 31-80-M10-80-C3-S*	80	M10	80	18	5	26	3	17	-
GN 31-80-M10-80-C4-S*	80	M10	80	18	5	26	3	17	-
GN 31-80-M10-100-B1-S*	80	M10	100	18	5	26	3	17	-
GN 31-80-M10-100-B2-S*	80	M10	100	18	5	26	3	17	-
GN 31-80-M10-100-B3-S*	80	M10	100	18	5	26	3	17	-
GN 31-80-M10-100-B4-S*	80	M10	100	18	5	26	3	17	-
GN 31-80-M10-100-C3-S*	80	M10	100	18	5	26	3	17	-
GN 31-80-M10-100-C4-S*	80	M10	100	18	5	26	3	17	-
GN 31-80-M12-60-B1-S*	80	M12	60	18	5	26	3	17	-
GN 31-80-M12-60-B2-S*	80	M12	60	18	5	26	3	17	-
GN 31-80-M12-60-B3-S*	80	M12	60	18	5	26	3	17	-
GN 31-80-M12-60-B4-S*	80	M12	60	18	5	26	3	17	-
GN 31-80-M12-60-C3-S*	80	M12	60	18	5	26	3	17	-
GN 31-80-M12-60-C4-S*	80	M12	60	18	5	26	3	17	-
GN 31-80-M12-80-B1-S*	80	M12	80	18	5	26	3	17	-
GN 31-80-M12-80-B2-S*	80	M12	80	18	5	26	3	17	-
GN 31-80-M12-80-B3-S*	80	M12	80	18	5	26	3	17	-
GN 31-80-M12-80-B4-S*	80	M12	80	18	5	26	3	17	-
GN 31-80-M12-80-C3-S*	80	M12	80	18	5	26	3	17	-
GN 31-80-M12-80-C4-S*	80	M12	80	18	5	26	3	17	-
GN 31-80-M12-100-B1-S*	80	M12	100	18	5	26	3	17	-
GN 31-80-M12-100-B2-S*	80	M12	100	18	5	26	3	17	-
GN 31-80-M12-100-B3-S*	80	M12	100	18	5	26	3	17	-
GN 31-80-M12-100-B4-S*	80	M12	100	18	5	26	3	17	-
GN 31-80-M12-100-C3-S*	80	M12	100	18	5	26	3	17	-
GN 31-80-M12-100-C4-S*	80	M12	100	18	5	26	3	17	-
GN 31-80-M12-125-B1-S*	80	M12	125	18	5	26	3	17	-
GN 31-80-M12-125-B2-S*	80	M12	125	18	5	26	3	17	-
GN 31-80-M12-125-B3-S*	80	M12	125	18	5	26	3	17	-
GN 31-80-M12-125-B4-S*	80	M12	125	18	5	26	3	17	-
GN 31-80-M12-125-C3-S*	80	M12	125	18	5	26	3	17	-
GN 31-80-M12-125-C4-S*	80	M12	125	18	5	26	3	17	-
GN 31-100-M8-40-B1-S*	100	M8	40	20	6	28	3	17	-

GN 31-100-M8-40-B2-S*	100	M8	40	20	6	28	3	17	-
GN 31-100-M8-40-B3-S*	100	M8	40	20	6	28	3	17	-
GN 31-100-M8-40-B4-S*	100	M8	40	20	6	28	3	17	-
GN 31-100-M8-40-C3-S*	100	M8	40	20	6	28	3	17	-
GN 31-100-M8-40-C4-S*	100	M8	40	20	6	28	3	17	-
GN 31-100-M8-50-B1-S*	100	M8	50	20	6	28	3	17	-
GN 31-100-M8-50-B2-S*	100	M8	50	20	6	28	3	17	-
GN 31-100-M8-50-B3-S*	100	M8	50	20	6	28	3	17	-
GN 31-100-M8-50-B4-S*	100	M8	50	20	6	28	3	17	-
GN 31-100-M8-50-C3-S*	100	M8	50	20	6	28	3	17	-
GN 31-100-M8-50-C4-S*	100	M8	50	20	6	28	3	17	-
GN 31-100-M8-63-B1-S*	100	M8	63	20	6	28	3	17	-
GN 31-100-M8-63-B2-S*	100	M8	63	20	6	28	3	17	-
GN 31-100-M8-63-B3-S*	100	M8	63	20	6	28	3	17	-
GN 31-100-M8-63-B4-S*	100	M8	63	20	6	28	3	17	-
GN 31-100-M8-63-C3-S*	100	M8	63	20	6	28	3	17	-
GN 31-100-M8-63-C4-S*	100	M8	63	20	6	28	3	17	-
GN 31-100-M10-50-B1-S*	100	M10	50	20	6	28	3	17	-
GN 31-100-M10-50-B2-S*	100	M10	50	20	6	28	3	17	-
GN 31-100-M10-50-B3-S*	100	M10	50	20	6	28	3	17	-
GN 31-100-M10-50-B4-S*	100	M10	50	20	6	28	3	17	-
GN 31-100-M10-50-C3-S*	100	M10	50	20	6	28	3	17	-
GN 31-100-M10-50-C4-S*	100	M10	50	20	6	28	3	17	-
GN 31-100-M10-60-B1-S*	100	M10	60	20	6	28	3	17	-
GN 31-100-M10-60-B2-S*	100	M10	60	20	6	28	3	17	-
GN 31-100-M10-60-B3-S*	100	M10	60	20	6	28	3	17	-
GN 31-100-M10-60-B4-S*	100	M10	60	20	6	28	3	17	-
GN 31-100-M10-60-C3-S*	100	M10	60	20	6	28	3	17	-
GN 31-100-M10-60-C4-S*	100	M10	60	20	6	28	3	17	-
GN 31-100-M10-80-B1-S*	100	M10	80	20	6	28	3	17	-
GN 31-100-M10-80-B2-S*	100	M10	80	20	6	28	3	17	-
GN 31-100-M10-80-B3-S*	100	M10	80	20	6	28	3	17	-
GN 31-100-M10-80-B4-S*	100	M10	80	20	6	28	3	17	-
GN 31-100-M10-80-C3-S*	100	M10	80	20	6	28	3	17	-
GN 31-100-M10-80-C4-S*	100	M10	80	20	6	28	3	17	-
GN 31-100-M10-100-B1-S*	100	M10	100	20	6	28	3	17	-
GN 31-100-M10-100-B2-S*	100	M10	100	20	6	28	3	17	-
GN 31-100-M10-100-B3-S*	100	M10	100	20	6	28	3	17	-
GN 31-100-M10-100-B4-S*	100	M10	100	20	6	28	3	17	-
GN 31-100-M10-100-C3-S*	100	M10	100	20	6	28	3	17	-
GN 31-100-M10-100-C4-S*	100	M10	100	20	6	28	3	17	-
GN 31-100-M12-60-B1-S*	100	M12	60	20	6	28	3	17	-
GN 31-100-M12-60-B2-S*	100	M12	60	20	6	28	3	17	-
GN 31-100-M12-60-B3-S*	100	M12	60	20	6	28	3	17	-

GN 31-100-M12-60-B4-S*	100	M12	60	20	6	28	3	17	-
GN 31-100-M12-60-C3-S*	100	M12	60	20	6	28	3	17	-
GN 31-100-M12-60-C4-S*	100	M12	60	20	6	28	3	17	-
GN 31-100-M12-80-B1-S*	100	M12	80	20	6	28	3	17	-
GN 31-100-M12-80-B2-S*	100	M12	80	20	6	28	3	17	-
GN 31-100-M12-80-B3-S*	100	M12	80	20	6	28	3	17	-
GN 31-100-M12-80-B4-S*	100	M12	80	20	6	28	3	17	-
GN 31-100-M12-80-C3-S*	100	M12	80	20	6	28	3	17	-
GN 31-100-M12-80-C4-S*	100	M12	80	20	6	28	3	17	-
GN 31-100-M12-100-B1-S*	100	M12	100	20	6	28	3	17	-
GN 31-100-M12-100-B2-S*	100	M12	100	20	6	28	3	17	-
GN 31-100-M12-100-B3-S*	100	M12	100	20	6	28	3	17	-
GN 31-100-M12-100-B4-S*	100	M12	100	20	6	28	3	17	-
GN 31-100-M12-100-C3-S*	100	M12	100	20	6	28	3	17	-
GN 31-100-M12-100-C4-S*	100	M12	100	20	6	28	3	17	-
GN 31-100-M12-125-B1-S*	100	M12	125	20	3	28	3	17	-
GN 31-100-M12-125-B2-S*	100	M12	125	20	6	28	3	17	-
GN 31-100-M12-125-B3-S*	100	M12	125	20	6	28	3	17	-
GN 31-100-M12-125-B4-S*	100	M12	125	20	6	28	3	17	-
GN 31-100-M12-125-C3-S*	100	M12	125	20	6	28	3	17	-
GN 31-100-M12-125-C4-S*	100	M12	125	20	6	28	3	17	-

\* Complete the description of the standard item by adding a "k", if you want to order with locknut.

Standard Elements	Main dimensions								Weight
Description	d <sub>1</sub>	d <sub>2</sub>	l <sub>1</sub>	h <sub>1</sub>	h <sub>2</sub>	h <sub>4 +4.0/0</sub>	s	A/F <sub>2</sub>	g
GN 31-50-M16-75-B1-T*	50	M16	75	16	3.5	29	3	12	-
GN 31-50-M16-75-B2-T*	50	M16	75	16	3.5	29	3	12	-
GN 31-50-M16-100-B1-T*	50	M16	100	16	3.5	29	3	12	-
GN 31-50-M16-100-B2-T*	50	M16	100	16	3.5	29	3	12	-
GN 31-50-M16-125-B1-T*	50	M16	125	16	3.5	29	3	12	-
GN 31-50-M16-125-B2-T*	50	M16	125	16	3.5	29	3	12	-
GN 31-50-M16-150-B1-T*	50	M16	150	16	3.5	29	3	12	-
GN 31-50-M16-150-B2-T*	50	M16	150	16	3.5	29	3	12	-
GN 31-50-M16-200-B1-T*	50	M16	200	16	3.5	29	3	12	-
GN 31-50-M16-200-B2-T*	50	M16	200	16	3.5	29	3	12	-
GN 31-60-M16-75-B1-T*	60	M16	75	16	4	30	3	12	-
GN 31-60-M16-75-B2-T*	60	M16	75	16	4	30	3	12	-
GN 31-60-M16-75-B3-T*	60	M16	75	16	4	30	3	12	-
GN 31-60-M16-75-B4-T*	60	M16	75	16	4	30	3	12	-
GN 31-60-M16-75-C3-T*	60	M16	75	16	4	30	3	12	-
GN 31-60-M16-75-C4-T*	60	M16	75	16	4	30	3	12	-
GN 31-60-M16-100-B1-T*	60	M16	100	16	4	30	3	12	-
GN 31-60-M16-100-B2-T*	60	M16	100	16	4	30	3	12	-
GN 31-60-M16-100-B3-T*	60	M16	100	16	4	30	3	12	-
GN 31-60-M16-100-B4-T*	60	M16	100	16	4	30	3	12	-
GN 31-60-M16-100-C3-T*	60	M16	100	16	4	30	3	12	-



GN 31-60-M16-100-C4-T*	60	M16	100	16	4	30	3	12	-
GN 31-60-M16-125-B1-T*	60	M16	125	16	4	30	3	12	-
GN 31-60-M16-125-B2-T*	60	M16	125	16	4	30	3	12	-
GN 31-60-M16-125-B3-T*	60	M16	125	16	4	30	3	12	-
GN 31-60-M16-125-B4-T*	60	M16	125	16	4	30	3	12	-
GN 31-60-M16-125-C3-T*	60	M16	125	16	4	30	3	12	-
GN 31-60-M16-125-C4-T*	60	M16	125	16	4	30	3	12	-
GN 31-60-M16-150-B1-T*	60	M16	150	16	4	30	3	12	-
GN 31-60-M16-150-B2-T*	60	M16	150	16	4	30	3	12	-
GN 31-60-M16-150-B3-T*	60	M16	150	16	4	30	3	12	-
GN 31-60-M16-150-B4-T*	60	M16	150	16	4	30	3	12	-
GN 31-60-M16-150-C3-T*	60	M16	150	16	4	30	3	12	-
GN 31-60-M16-150-C4-T*	60	M16	150	16	4	30	3	12	-
GN 31-60-M16-200-B1-T*	60	M16	200	16	4	30	3	12	-
GN 31-60-M16-200-B2-T*	60	M16	200	16	4	30	3	12	-
GN 31-60-M16-200-B3-T*	60	M16	200	16	4	30	3	12	-
GN 31-60-M16-200-B4-T*	60	M16	200	16	4	30	3	12	-
GN 31-60-M16-200-C3-T*	60	M16	200	16	4	30	3	12	-
GN 31-60-M16-200-C4-T*	60	M16	200	16	4	30	3	12	-
GN 31-80-M16-75-B1-T*	80	M16	75	18	5	32	3	12	-
GN 31-80-M16-75-B2-T*	80	M16	75	18	5	32	3	12	-
GN 31-80-M16-75-B3-T*	80	M16	75	18	5	32	3	12	-
GN 31-80-M16-75-B4-T*	80	M16	75	18	5	32	3	12	-
GN 31-80-M16-75-C3-T*	80	M16	75	18	5	32	3	12	-
GN 31-80-M16-75-C4-T*	80	M16	75	18	5	32	3	12	-
GN 31-80-M16-100-B1-T*	80	M16	100	18	5	32	3	12	-
GN 31-80-M16-100-B2-T*	80	M16	100	18	5	32	3	12	-
GN 31-80-M16-100-B3-T*	80	M16	100	18	5	32	3	12	-
GN 31-80-M16-100-B4-T*	80	M16	100	18	5	32	3	12	-
GN 31-80-M16-100-C3-T*	80	M16	100	18	5	32	3	12	-
GN 31-80-M16-100-C4-T*	80	M16	100	18	5	32	3	12	-
GN 31-80-M16-125-B1-T*	80	M16	125	18	5	32	3	12	-
GN 31-80-M16-125-B2-T*	80	M16	125	18	5	32	3	12	-
GN 31-80-M16-125-B3-T*	80	M16	125	18	5	32	3	12	-
GN 31-80-M16-125-B4-T*	80	M16	125	18	5	32	3	12	-
GN 31-80-M16-125-C3-T*	80	M16	125	18	5	32	3	12	-
GN 31-80-M16-125-C4-T*	80	M16	125	18	5	32	3	12	-
GN 31-80-M16-150-B1-T*	80	M16	150	18	5	32	3	12	-
GN 31-80-M16-150-B2-T*	80	M16	150	18	5	32	3	12	-
GN 31-80-M16-150-B3-T*	80	M16	150	18	5	32	3	12	-
GN 31-80-M16-150-B4-T*	80	M16	150	18	5	32	3	12	-
GN 31-80-M16-150-C3-T*	80	M16	150	18	5	32	3	12	-
GN 31-80-M16-150-C4-T*	80	M16	150	18	5	32	3	12	-
GN 31-80-M16-200-B1-T*	80	M16	200	18	5	32	3	12	-

GN 31-80-M16-200-B2-T*	80	M16	200	18	5	32	3	12	-
GN 31-80-M16-200-B3-T*	80	M16	200	18	5	32	3	12	-
GN 31-80-M16-200-B4-T*	80	M16	200	18	5	32	3	12	-
GN 31-80-M16-200-C3-T*	80	M16	200	18	5	32	3	12	-
GN 31-80-M16-200-C4-T*	80	M16	200	18	5	32	3	12	-
GN 31-80-M20-75-B1-T*	80	M20	75	18	5	33	3	15	-
GN 31-80-M20-75-B2-T*	80	M20	75	18	5	33	3	15	-
GN 31-80-M20-75-B3-T*	80	M20	75	18	5	33	3	15	-
GN 31-80-M20-75-B4-T*	80	M20	75	18	5	33	3	15	-
GN 31-80-M20-75-C3-T*	80	M20	75	18	5	33	3	15	-
GN 31-80-M20-75-C4-T*	80	M20	75	18	5	33	3	15	-
GN 31-80-M20-100-B1-T*	80	M20	100	18	5	33	3	15	-
GN 31-80-M20-100-B2-T*	80	M20	100	18	5	33	3	15	-
GN 31-80-M20-100-B3-T*	80	M20	100	18	5	33	3	15	-
GN 31-80-M20-100-B4-T*	80	M20	100	18	5	33	3	15	-
GN 31-80-M20-100-C3-T*	80	M20	100	18	5	33	3	15	-
GN 31-80-M20-100-C4-T*	80	M20	100	18	5	33	3	15	-
GN 31-80-M20-125-B1-T*	80	M20	125	18	5	33	3	15	-
GN 31-80-M20-125-B2-T*	80	M20	125	18	5	33	3	15	-
GN 31-80-M20-125-B3-T*	80	M20	125	18	5	33	3	15	-
GN 31-80-M20-125-B4-T*	80	M20	125	18	5	33	3	15	-
GN 31-80-M20-125-C3-T*	80	M20	125	18	5	33	3	15	-
GN 31-80-M20-125-C4-T*	80	M20	125	18	5	33	3	15	-
GN 31-80-M20-150-B1-T*	80	M20	150	18	5	33	3	15	-
GN 31-80-M20-150-B2-T*	80	M20	150	18	5	33	3	15	-
GN 31-80-M20-150-B3-T*	80	M20	150	18	5	33	3	15	-
GN 31-80-M20-150-B4-T*	80	M20	150	18	5	33	3	15	-
GN 31-80-M20-150-C3-T*	80	M20	150	18	5	33	3	15	-
GN 31-80-M20-150-C4-T*	80	M20	150	18	5	33	3	15	-
GN 31-80-M20-200-B1-T*	80	M20	200	18	5	33	3	15	-
GN 31-80-M20-200-B2-T*	80	M20	200	18	5	33	3	15	-
GN 31-80-M20-200-B3-T*	80	M20	200	18	5	33	3	15	-
GN 31-80-M20-200-B4-T*	80	M20	200	18	5	33	3	15	-
GN 31-80-M20-200-C3-T*	80	M20	200	18	5	33	3	15	-
GN 31-80-M20-200-C4-T*	80	M20	200	18	5	33	3	15	-
GN 31-80-M24-100-B1-T*	80	M24	100	18	5	36	3	19	-
GN 31-80-M24-100-B2-T*	80	M24	100	18	5	36	3	19	-
GN 31-80-M24-100-B3-T*	80	M24	100	18	5	36	3	19	-
GN 31-80-M24-100-B4-T*	80	M24	100	18	5	36	3	19	-
GN 31-80-M24-100-C3-T*	80	M24	100	18	5	36	3	19	-
GN 31-80-M24-100-C4-T*	80	M24	100	18	5	36	3	19	-
GN 31-80-M24-125-B1-T*	80	M24	125	18	5	36	3	19	-
GN 31-80-M24-125-B2-T*	80	M24	125	18	5	36	3	19	-
GN 31-80-M24-125-B3-T*	80	M24	125	18	5	36	3	19	-
GN 31-80-M24-125-B4-T*	80	M24	125	18	5	36	3	19	-

GN 31-80-M24-125-C3-T*	80	M24	125	18	5	36	3	19	-
GN 31-80-M24-125-C4-T*	80	M24	125	18	5	36	3	19	-
GN 31-80-M24-150-B1-T*	80	M24	150	18	5	36	3	19	-
GN 31-80-M24-150-B2-T*	80	M24	150	18	5	36	3	19	-
GN 31-80-M24-150-B3-T*	80	M24	150	18	5	36	3	19	-
GN 31-80-M24-150-B4-T*	80	M24	150	18	5	36	3	19	-
GN 31-80-M24-150-C3-T*	80	M24	150	18	5	36	3	19	-
GN 31-80-M24-150-C4-T*	80	M24	150	18	5	36	3	19	-
GN 31-80-M24-200-B1-T*	80	M24	200	18	5	36	3	19	-
GN 31-80-M24-200-B2-T*	80	M24	200	18	5	36	3	19	-
GN 31-80-M24-200-B3-T*	80	M24	200	18	5	36	3	19	-
GN 31-80-M24-200-B4-T*	80	M24	200	18	5	36	3	19	-
GN 31-80-M24-200-C3-T*	80	M24	200	18	5	36	3	19	-
GN 31-80-M24-200-C4-T*	80	M24	200	18	5	36	3	19	-
GN 31-100-M16-75-B1-T*	100	M16	75	20	6	34	3	12	-
GN 31-100-M16-75-B2-T*	100	M16	75	20	6	34	3	12	-
GN 31-100-M16-75-B3-T*	100	M16	75	20	6	34	3	12	-
GN 31-100-M16-75-B4-T*	100	M16	75	20	6	34	3	12	-
GN 31-100-M16-75-C3-T*	100	M16	75	20	6	34	3	12	-
GN 31-100-M16-75-C4-T*	100	M16	75	20	6	34	3	12	-
GN 31-100-M16-100-B1-T*	100	M16	100	20	6	34	3	12	-
GN 31-100-M16-100-B2-T*	100	M16	100	20	6	34	3	12	-
GN 31-100-M16-100-B3-T*	100	M16	100	20	6	34	3	12	-
GN 31-100-M16-100-B4-T*	100	M16	100	20	6	34	3	12	-
GN 31-100-M16-100-C3-T*	100	M16	100	20	6	34	3	12	-
GN 31-100-M16-100-C4-T*	100	M16	100	20	6	34	3	12	-
GN 31-100-M16-125-B1-T*	100	M16	125	20	6	34	3	12	-
GN 31-100-M16-125-B2-T*	100	M16	125	20	6	34	3	12	-
GN 31-100-M16-125-B3-T*	100	M16	125	20	6	34	3	12	-
GN 31-100-M16-125-B4-T*	100	M16	125	20	6	34	3	12	-
GN 31-100-M16-125-C3-T*	100	M16	125	20	6	34	3	12	-
GN 31-100-M16-125-C4-T*	100	M16	125	20	6	34	3	12	-
GN 31-100-M16-150-B1-T*	100	M16	150	20	6	34	3	12	-
GN 31-100-M16-150-B2-T*	100	M16	150	20	6	34	3	12	-
GN 31-100-M16-150-B3-T*	100	M16	150	20	6	34	3	12	-
GN 31-100-M16-150-B4-T*	100	M16	150	20	6	34	3	12	-
GN 31-100-M16-150-C3-T*	100	M16	150	20	6	34	3	12	-
GN 31-100-M16-150-C4-T*	100	M16	150	20	6	34	3	12	-
GN 31-100-M16-200-B1-T*	100	M16	200	20	6	34	3	12	-
GN 31-100-M16-200-B2-T*	100	M16	200	20	6	34	3	12	-
GN 31-100-M16-200-B3-T*	100	M16	200	20	6	34	3	12	-
GN 31-100-M16-200-B4-T*	100	M16	200	20	6	34	3	12	-
GN 31-100-M16-200-C3-T*	100	M16	200	20	6	34	3	12	-
GN 31-100-M16-200-C4-T*	100	M16	200	20	6	34	3	12	-

GN 31-100-M20-75-B1-T*	100	M20	75	20	6	35	3	15	-
GN 31-100-M20-75-B2-T*	100	M20	75	20	6	35	3	15	-
GN 31-100-M20-75-B3-T*	100	M20	75	20	6	35	3	15	-
GN 31-100-M20-75-B4-T*	100	M20	75	20	6	35	3	15	-
GN 31-100-M20-75-C3-T*	100	M20	75	20	6	35	3	15	-
GN 31-100-M20-75-C4-T*	100	M20	75	20	6	35	3	15	-
GN 31-100-M20-100-B1-T*	100	M20	100	20	6	35	3	15	-
GN 31-100-M20-100-B2-T*	100	M20	100	20	6	35	3	15	-
GN 31-100-M20-100-B3-T*	100	M20	100	20	6	35	3	15	-
GN 31-100-M20-100-B4-T*	100	M20	100	20	6	35	3	15	-
GN 31-100-M20-100-C3-T*	100	M20	100	20	6	35	3	15	-
GN 31-100-M20-100-C4-T*	100	M20	100	20	6	35	3	15	-
GN 31-100-M20-125-B1-T*	100	M20	125	20	6	35	3	15	-
GN 31-100-M20-125-B2-T*	100	M20	125	20	6	35	3	15	-
GN 31-100-M20-125-B3-T*	100	M20	125	20	3	35	3	15	-
GN 31-100-M20-125-B4-T*	100	M20	125	20	6	35	3	15	-
GN 31-100-M20-125-C3-T*	100	M20	125	20	6	35	3	15	-
GN 31-100-M20-125-C4-T*	100	M20	125	20	6	35	3	15	-
GN 31-100-M20-150-B1-T*	100	M20	150	20	6	35	3	15	-
GN 31-100-M20-150-B2-T*	100	M20	150	20	6	35	3	15	-
GN 31-100-M20-150-B3-T*	100	M20	150	20	6	35	3	15	-
GN 31-100-M20-150-B4-T*	100	M20	150	20	6	35	3	15	-
GN 31-100-M20-150-C3-T*	100	M20	150	20	6	35	3	15	-
GN 31-100-M20-150-C4-T*	100	M20	150	20	6	35	3	15	-
GN 31-100-M20-200-B1-T*	100	M20	200	20	6	35	3	15	-
GN 31-100-M20-200-B2-T*	100	M20	200	20	6	35	3	15	-
GN 31-100-M20-200-B3-T*	100	M20	200	20	6	35	3	15	-
GN 31-100-M20-200-B4-T*	100	M20	200	20	6	35	3	15	-
GN 31-100-M20-200-C3-T*	100	M20	200	20	6	35	3	15	-
GN 31-100-M20-200-C4-T*	100	M20	200	20	6	35	3	15	-
GN 31-100-M24-100-B1-T*	100	M24	100	20	6	38	3	19	-
GN 31-100-M24-100-B2-T*	100	M24	100	20	6	38	3	19	-
GN 31-100-M24-100-B3-T*	100	M24	100	20	6	38	3	19	-
GN 31-100-M24-100-B4-T*	100	M24	100	20	6	38	3	19	-
GN 31-100-M24-100-C3-T*	100	M24	100	20	6	38	3	19	-
GN 31-100-M24-100-C4-T*	100	M24	100	20	6	38	3	19	-
GN 31-100-M24-125-B1-T*	100	M24	125	20	6	38	3	19	-
GN 31-100-M24-125-B2-T*	100	M24	125	20	6	38	3	19	-
GN 31-100-M24-125-B3-T*	100	M24	125	20	6	38	3	19	-
GN 31-100-M24-125-B4-T*	100	M24	125	20	6	38	3	19	-
GN 31-100-M24-125-C3-T*	100	M24	125	20	6	38	3	19	-
GN 31-100-M24-125-C4-T*	100	M24	125	20	6	38	3	19	-
GN 31-100-M24-150-B1-T*	100	M24	150	20	6	38	3	19	-
GN 31-100-M24-150-B2-T*	100	M24	150	20	6	38	3	19	-
GN 31-100-M24-150-B3-T*	100	M24	150	20	6	38	3	19	-

GN 31-100-M24-150-B4-T*	100	M24	150	20	6	38	3	19	-
GN 31-100-M24-150-C3-T*	100	M24	150	20	6	38	3	19	-
GN 31-100-M24-150-C4-T*	100	M24	150	20	6	38	3	19	-
GN 31-100-M24-200-B1-T*	100	M24	200	20	6	38	3	19	-
GN 31-100-M24-200-B2-T*	100	M24	200	20	6	38	3	19	-
GN 31-100-M24-200-B3-T*	100	M24	200	20	6	38	3	19	-
GN 31-100-M24-200-B4-T*	100	M24	200	20	6	38	3	19	-
GN 31-100-M24-200-C3-T*	100	M24	200	20	6	38	3	19	-
GN 31-100-M24-200-C4-T*	100	M24	200	20	6	38	3	19	-
GN 31-120-M20-100-B1-T*	120	M20	100	22	6	39	4	15	-
GN 31-120-M20-100-B2-T*	120	M20	100	22	6	39	4	15	-
GN 31-120-M20-125-B1-T*	120	M20	125	22	6	39	4	15	-
GN 31-120-M20-125-B2-T*	120	M20	125	22	6	39	4	15	-
GN 31-120-M20-150-B1-T*	120	M20	150	22	6	39	4	15	-
GN 31-120-M20-150-B2-T*	120	M20	150	22	6	39	4	15	-
GN 31-120-M20-200-B1-T*	120	M20	200	22	6	39	4	15	-
GN 31-120-M20-200-B2-T*	120	M20	200	22	6	39	4	15	-
GN 31-120-M24-100-B1-T*	120	M24	100	22	6	42	4	19	-
GN 31-120-M24-100-B2-T*	120	M24	100	22	6	42	4	19	-
GN 31-120-M24-125-B1-T*	120	M24	125	22	6	42	4	19	-
GN 31-120-M24-125-B2-T*	120	M24	125	22	6	42	4	19	-
GN 31-120-M24-150-B1-T*	120	M24	150	22	6	42	4	19	-
GN 31-120-M24-150-B2-T*	120	M24	150	22	6	42	4	19	-
GN 31-120-M24-200-B1-T*	120	M24	200	22	6	42	4	19	-
GN 31-120-M24-200-B2-T*	120	M24	200	22	6	42	4	19	-
GN 31-120-M30-100-B1-T*	120	M30	100	22	6	46	4	24	-
GN 31-120-M30-100-B2-T*	120	M30	100	22	6	46	4	24	-
GN 31-120-M30-125-B1-T*	120	M30	125	22	6	46	4	24	-
GN 31-120-M30-125-B2-T*	120	M30	125	22	6	46	4	24	-
GN 31-120-M30-150-B1-T*	120	M30	150	22	6	46	4	24	-
GN 31-120-M30-150-B2-T*	120	M30	150	22	6	46	4	24	-
GN 31-120-M30-200-B1-T*	120	M30	200	22	6	46	4	24	-
GN 31-120-M30-200-B2-T*	120	M30	200	22	6	46	4	24	-

\* Complete the description of the standard item by adding a "k", if you want to order with locknut.

Standard Elements	Main dimensions									Weight
Description	d <sub>1</sub>	d <sub>2</sub>	l <sub>1</sub>	h <sub>1</sub>	h <sub>2</sub>	h <sub>4 +4.0/0</sub>	s	A/F <sub>2</sub>	A/F <sub>3</sub>	g
GN 31-50-M16-75-B1-U*	50	M16	75	16	3.5	29	3	12	8	-
GN 31-50-M16-75-B2-U*	50	M16	75	16	3.5	29	3	12	8	-
GN 31-50-M16-100-B1-U*	50	M16	100	16	3.5	29	3	12	8	-
GN 31-50-M16-100-B2-U*	50	M16	100	16	3.5	29	3	12	8	-
GN 31-50-M16-125-B1-U*	50	M16	125	16	3.5	29	3	12	8	-
GN 31-50-M16-125-B2-U*	50	M16	125	16	3.5	29	3	12	8	-
GN 31-50-M16-150-B1-U*	50	M16	150	16	3.5	29	3	12	8	-
GN 31-50-M16-150-B2-U*	50	M16	150	16	3.5	29	3	12	8	-

GN 31-50-M16-200-B1-U*	50	M16	200	16	3.5	29	3	12	8	-
GN 31-50-M16-200-B2-U*	50	M16	200	16	3.5	29	3	12	8	-
GN 31-60-M16-75-B1-U*	60	M16	75	16	4	30	3	12	8	-
GN 31-60-M16-75-B2-U*	60	M16	75	16	4	30	3	12	8	-
GN 31-60-M16-75-B3-U*	60	M16	75	16	4	30	3	12	8	-
GN 31-60-M16-75-B4-U*	60	M16	75	16	4	30	3	12	8	-
GN 31-60-M16-75-C3-U*	60	M16	75	16	4	30	3	12	8	-
GN 31-60-M16-75-C4-U*	60	M16	75	16	4	30	3	12	8	-
GN 31-60-M16-100-B1-U*	60	M16	100	16	4	30	3	12	8	-
GN 31-60-M16-100-B2-U*	60	M16	100	16	4	30	3	12	8	-
GN 31-60-M16-100-B3-U*	60	M16	100	16	4	30	3	12	8	-
GN 31-60-M16-100-B4-U*	60	M16	100	16	4	30	3	12	8	-
GN 31-60-M16-100-C3-U*	60	M16	100	16	4	30	3	12	8	-
GN 31-60-M16-100-C4-U*	60	M16	100	16	4	30	3	12	8	-
GN 31-60-M16-125-B1-U*	60	M16	125	16	4	30	3	12	8	-
GN 31-60-M16-125-B2-U*	60	M16	125	16	4	30	3	12	8	-
GN 31-60-M16-125-B3-U*	60	M16	125	16	4	30	3	12	8	-
GN 31-60-M16-125-B4-U*	60	M16	125	16	4	30	3	12	8	-
GN 31-60-M16-125-C3-U*	60	M16	125	16	4	30	3	12	8	-
GN 31-60-M16-125-C4-U*	60	M16	125	16	4	30	3	12	8	-
GN 31-60-M16-150-B1-U*	60	M16	150	16	4	30	3	12	8	-
GN 31-60-M16-150-B2-U*	60	M16	150	16	4	30	3	12	8	-
GN 31-60-M16-150-B3-U*	60	M16	150	16	4	30	3	12	8	-
GN 31-60-M16-150-B4-U*	60	M16	150	16	4	30	3	12	8	-
GN 31-60-M16-150-C3-U*	60	M16	150	16	4	30	3	12	8	-
GN 31-60-M16-150-C4-U*	60	M16	150	16	4	30	3	12	8	-
GN 31-60-M16-200-B1-U*	60	M16	200	16	4	30	3	12	8	-
GN 31-60-M16-200-B2-U*	60	M16	200	16	4	30	3	12	8	-
GN 31-60-M16-200-B3-U*	60	M16	200	16	4	30	3	12	8	-
GN 31-60-M16-200-B4-U*	60	M16	200	16	4	30	3	12	8	-
GN 31-60-M16-200-C3-U*	60	M16	200	16	4	30	3	12	8	-
GN 31-60-M16-200-C4-U*	60	M16	200	16	4	30	3	12	8	-
GN 31-80-M16-75-B1-U*	80	M16	75	18	5	32	3	12	8	-
GN 31-80-M16-75-B2-U*	80	M16	75	18	5	32	3	12	8	-
GN 31-80-M16-75-B3-U*	80	M16	75	18	5	32	3	12	8	-
GN 31-80-M16-75-B4-U*	80	M16	75	18	5	32	3	12	8	-
GN 31-80-M16-75-C3-U*	80	M16	75	18	5	32	3	12	8	-
GN 31-80-M16-75-C4-U*	80	M16	75	18	5	32	3	12	8	-
GN 31-80-M16-100-B1-U*	80	M16	100	18	5	32	3	12	8	-
GN 31-80-M16-100-B2-U*	80	M16	100	18	5	32	3	12	8	-
GN 31-80-M16-100-B3-U*	80	M16	100	18	5	32	3	12	8	-
GN 31-80-M16-100-B4-U*	80	M16	100	18	5	32	3	12	8	-
GN 31-80-M16-100-C3-U*	80	M16	100	18	5	32	3	12	8	-
GN 31-80-M16-100-C4-U*	80	M16	100	18	5	32	3	12	8	-
GN 31-80-M16-125-B1-U*	80	M16	125	18	5	32	3	12	8	-

GN 31-80-M16-125-B2-U*	80	M16	125	18	5	32	3	12	8	-
GN 31-80-M16-125-B3-U*	80	M16	125	18	5	32	3	12	8	-
GN 31-80-M16-125-B4-U*	80	M16	125	18	5	32	3	12	8	-
GN 31-80-M16-125-C3-U*	80	M16	125	18	5	32	3	12	8	-
GN 31-80-M16-125-C4-U*	80	M16	125	18	5	32	3	12	8	-
GN 31-80-M16-150-B1-U*	80	M16	150	18	5	32	3	12	8	-
GN 31-80-M16-150-B2-U*	80	M16	150	18	5	32	3	12	8	-
GN 31-80-M16-150-B3-U*	80	M16	150	18	5	32	3	12	8	-
GN 31-80-M16-150-B4-U*	80	M16	150	18	5	32	3	12	8	-
GN 31-80-M16-150-C3-U*	80	M16	150	18	5	32	3	12	8	-
GN 31-80-M16-150-C4-U*	80	M16	150	18	5	32	3	12	8	-
GN 31-80-M16-200-B1-U*	80	M16	200	18	5	32	3	12	8	-
GN 31-80-M16-200-B2-U*	80	M16	200	18	5	32	3	12	8	-
GN 31-80-M16-200-B3-U*	80	M16	200	18	5	32	3	12	8	-
GN 31-80-M16-200-B4-U*	80	M16	200	18	5	32	3	12	8	-
GN 31-80-M16-200-C3-U*	80	M16	200	18	5	32	3	12	8	-
GN 31-80-M16-200-C4-U*	80	M16	200	18	5	32	3	12	8	-
GN 31-80-M20-75-B1-U*	80	M20	75	18	5	33	3	15	10	-
GN 31-80-M20-75-B2-U*	80	M20	75	18	5	33	3	15	10	-
GN 31-80-M20-75-B3-U*	80	M20	75	18	5	33	3	15	10	-
GN 31-80-M20-75-B4-U*	80	M20	75	18	5	33	3	15	10	-
GN 31-80-M20-75-C3-U*	80	M20	75	18	5	33	3	15	10	-
GN 31-80-M20-75-C4-U*	80	M20	75	18	5	33	3	15	10	-
GN 31-80-M20-100-B1-U*	80	M20	100	18	5	33	3	15	10	-
GN 31-80-M20-100-B2-U*	80	M20	100	18	5	33	3	15	10	-
GN 31-80-M20-100-B3-U*	80	M20	100	18	5	33	3	15	10	-
GN 31-80-M20-100-B4-U*	80	M20	100	18	5	33	3	15	10	-
GN 31-80-M20-100-C3-U*	80	M20	100	18	5	33	3	15	10	-
GN 31-80-M20-100-C4-U*	80	M20	100	18	5	33	3	15	10	-
GN 31-80-M20-125-B1-U*	80	M20	125	18	5	33	3	15	10	-
GN 31-80-M20-125-B2-U*	80	M20	125	18	5	33	3	15	10	-
GN 31-80-M20-125-B3-U*	80	M20	125	18	5	33	3	15	10	-
GN 31-80-M20-125-B4-U*	80	M20	125	18	5	33	3	15	10	-
GN 31-80-M20-125-C3-U*	80	M20	125	18	5	33	3	15	10	-
GN 31-80-M20-125-C4-U*	80	M20	125	18	5	33	3	15	10	-
GN 31-80-M20-150-B1-U*	80	M20	150	18	5	33	3	15	10	-
GN 31-80-M20-150-B2-U*	80	M20	150	18	5	33	3	15	10	-
GN 31-80-M20-150-B3-U*	80	M20	150	18	5	33	3	15	10	-
GN 31-80-M20-150-B4-U*	80	M20	150	18	5	33	3	15	10	-
GN 31-80-M20-150-C3-U*	80	M20	150	18	5	33	3	15	10	-
GN 31-80-M20-150-C4-U*	80	M20	150	18	5	33	3	15	10	-
GN 31-80-M20-200-B1-U*	80	M20	200	18	5	33	3	15	10	-
GN 31-80-M20-200-B2-U*	80	M20	200	18	5	33	3	15	10	-
GN 31-80-M20-200-B3-U*	80	M20	200	18	5	33	3	15	10	-

GN 31-80-M20-200-B4-U*	80	M20	200	18	5	33	3	15	10	-
GN 31-80-M20-200-C3-U*	80	M20	200	18	5	33	3	15	10	-
GN 31-80-M20-200-C4-U*	80	M20	200	18	5	33	3	15	10	-
GN 31-80-M24-100-B1-U*	80	M24	100	18	5	36	3	19	12	-
GN 31-80-M24-100-B2-U*	-	-	-	-	-	-	-	-	-	-
GN 31-80-M24-100-B3-U*	80	M24	100	18	5	36	3	19	12	-
GN 31-80-M24-100-B4-U*	80	M24	100	18	5	36	3	19	12	-
GN 31-80-M24-100-C3-U*	80	M24	100	18	5	36	3	19	12	-
GN 31-80-M24-100-C4-U*	80	M24	100	18	5	36	3	19	12	-
GN 31-80-M24-125-B1-U*	80	M24	125	18	5	36	3	19	12	-
GN 31-80-M24-125-B2-U*	80	M24	125	18	5	36	3	19	12	-
GN 31-80-M24-125-B3-U*	80	M24	125	18	5	36	3	19	12	-
GN 31-80-M24-125-B4-U*	80	M24	125	18	5	36	3	19	12	-
GN 31-80-M24-125-C3-U*	80	M24	125	18	5	36	3	19	12	-
GN 31-80-M24-125-C4-U*	80	M24	125	18	5	36	3	19	12	-
GN 31-80-M24-150-B1-U*	80	M24	150	18	5	36	3	19	12	-
GN 31-80-M24-150-B2-U*	80	M24	150	18	5	36	3	19	12	-
GN 31-80-M24-150-B3-U*	80	M24	150	18	5	36	3	19	12	-
GN 31-80-M24-150-B4-U*	80	M24	150	18	5	36	3	19	12	-
GN 31-80-M24-150-C3-U*	80	M24	150	18	5	36	3	19	12	-
GN 31-80-M24-150-C4-U*	80	M24	150	18	5	36	3	19	12	-
GN 31-80-M24-200-B1-U*	80	M24	200	18	5	36	3	19	12	-
GN 31-80-M24-200-B2-U*	80	M24	200	18	5	36	3	19	12	-
GN 31-80-M24-200-B3-U*	80	M24	200	18	5	36	3	19	12	-
GN 31-80-M24-200-B4-U*	80	M24	200	18	5	36	3	19	12	-
GN 31-80-M24-200-C3-U*	80	M24	200	18	5	36	3	19	12	-
GN 31-80-M24-200-C4-U*	80	M24	200	18	5	36	3	19	12	-
GN 31-100-M16-75-B1-U*	100	M16	75	20	6	34	3	12	8	-
GN 31-100-M16-75-B2-U*	100	M16	75	20	6	34	3	12	8	-
GN 31-100-M16-75-B3-U*	100	M16	75	20	6	34	3	12	8	-
GN 31-100-M16-75-B4-U*	100	M16	75	20	6	34	3	12	8	-
GN 31-100-M16-75-C3-U*	100	M16	75	20	6	34	3	12	8	-
GN 31-100-M16-75-C4-U*	100	M16	75	20	6	34	3	12	8	-
GN 31-100-M16-100-B1-U*	100	M16	100	20	6	34	3	12	8	-
GN 31-100-M16-100-B2-U*	100	M16	100	20	6	34	3	12	8	-
GN 31-100-M16-100-B3-U*	100	M16	100	20	6	34	3	12	8	-
GN 31-100-M16-100-B4-U*	100	M16	100	20	6	34	3	12	8	-
GN 31-100-M16-100-C3-U*	100	M16	100	20	6	34	3	12	8	-
GN 31-100-M16-100-C4-U*	100	M16	100	20	6	34	3	12	8	-
GN 31-100-M16-125-B1-U*	100	M16	125	20	6	34	3	12	8	-
GN 31-100-M16-125-B2-U*	100	M16	125	20	6	34	3	12	8	-
GN 31-100-M16-125-B3-U*	100	M16	125	20	6	34	3	12	8	-
GN 31-100-M16-125-B4-U*	100	M16	125	20	6	34	3	12	8	-
GN 31-100-M16-125-C3-U*	100	M16	125	20	6	34	3	12	8	-
GN 31-100-M16-125-C4-U*	100	M16	125	20	6	34	3	12	8	-



GN 31-100-M16-150-B1-U*	100	M16	150	20	6	34	3	12	8	-
GN 31-100-M16-150-B2-U*	100	M16	150	20	6	34	3	12	8	-
GN 31-100-M16-150-B3-U*	100	M16	150	20	6	34	3	12	8	-
GN 31-100-M16-150-B4-U*	100	M16	150	20	6	34	3	12	8	-
GN 31-100-M16-150-C3-U*	100	M16	150	20	6	34	3	12	8	-
GN 31-100-M16-150-C4-U*	100	M16	150	20	6	34	3	12	8	-
GN 31-100-M16-200-B1-U*	100	M16	200	20	6	34	3	12	8	-
GN 31-100-M16-200-B2-U*	100	M16	200	20	6	34	3	12	8	-
GN 31-100-M16-200-B3-U*	100	M16	200	20	6	34	3	12	8	-
GN 31-100-M16-200-B4-U*	100	M16	200	20	6	34	3	12	8	-
GN 31-100-M16-200-C3-U*	100	M16	200	20	6	34	3	12	8	-
GN 31-100-M16-200-C4-U*	100	M16	200	20	6	34	3	12	8	-
GN 31-100-M20-75-B1-U*	100	M20	75	20	6	35	3	15	10	-
GN 31-100-M20-75-B2-U*	100	M20	75	20	6	35	3	15	10	-
GN 31-100-M20-75-B3-U*	100	M20	75	20	6	35	3	15	10	-
GN 31-100-M20-75-B4-U*	100	M20	75	20	6	35	3	15	10	-
GN 31-100-M20-75-C3-U*	100	M20	75	20	6	35	3	15	10	-
GN 31-100-M20-75-C4-U*	100	M20	75	20	6	35	3	15	10	-
GN 31-100-M20-100-B1-U*	100	M20	100	20	6	35	3	15	10	-
GN 31-100-M20-100-B2-U*	100	M20	100	20	6	35	3	15	10	-
GN 31-100-M20-100-B3-U*	100	M20	100	20	6	35	3	15	10	-
GN 31-100-M20-100-B4-U*	100	M20	100	20	6	35	3	15	10	-
GN 31-100-M20-100-C3-U*	100	M20	100	20	6	35	3	15	10	-
GN 31-100-M20-100-C4-U*	100	M20	100	20	6	35	3	15	10	-
GN 31-100-M20-125-B1-U*	100	M20	125	20	6	35	3	15	10	-
GN 31-100-M20-125-B2-U*	100	M20	125	20	6	35	3	15	10	-
GN 31-100-M20-125-B3-U*	100	M20	125	20	6	35	3	15	10	-
GN 31-100-M20-125-B4-U*	100	M20	125	20	6	35	3	15	10	-
GN 31-100-M20-125-C3-U*	100	M20	125	20	6	35	3	15	10	-
GN 31-100-M20-125-C4-U*	100	M20	125	20	6	35	3	15	10	-
GN 31-100-M20-150-B1-U*	100	M20	150	20	6	35	3	15	10	-
GN 31-100-M20-150-B2-U*	100	M20	150	20	6	35	3	15	10	-
GN 31-100-M20-150-B3-U*	100	M20	150	20	6	35	3	15	10	-
GN 31-100-M20-150-B4-U*	100	M20	150	20	6	35	3	15	10	-
GN 31-100-M20-150-C3-U*	100	M20	150	20	6	35	3	15	10	-
GN 31-100-M20-150-C4-U*	100	M20	150	20	6	35	3	15	10	-
GN 31-100-M20-200-B1-U*	100	M20	200	20	6	35	3	15	10	-
GN 31-100-M20-200-B2-U*	100	M20	200	20	6	35	3	15	10	-
GN 31-100-M20-200-B3-U*	100	M20	200	20	6	35	3	15	10	-
GN 31-100-M20-200-B4-U*	100	M20	200	20	6	35	3	15	10	-
GN 31-100-M20-200-C3-U*	100	M20	200	20	6	35	3	15	10	-
GN 31-100-M20-200-C4-U*	100	M20	200	20	6	35	3	15	10	-
GN 31-100-M24-100-B1-U*	100	M24	100	20	6	38	3	19	12	-
GN 31-100-M24-100-B2-U*	100	M24	100	20	6	38	3	19	12	-

GN 31-100-M24-100-B3-U*	100	M24	100	20	6	38	3	19	12	-
GN 31-100-M24-100-B4-U*	100	M24	100	20	6	38	3	19	12	-
GN 31-100-M24-100-C3-U*	100	M24	100	20	6	38	3	19	12	-
GN 31-100-M24-100-C4-U*	100	M24	100	20	6	38	3	19	12	-
GN 31-100-M24-125-B1-U*	100	M24	125	20	6	38	3	19	12	-
GN 31-100-M24-125-B2-U*	100	M24	125	20	6	38	3	19	12	-
GN 31-100-M24-125-B3-U*	100	M24	125	20	6	38	3	19	12	-
GN 31-100-M24-125-B4-U*	100	M24	125	20	6	38	3	19	12	-
GN 31-100-M24-125-C3-U*	100	M24	125	20	6	38	3	19	12	-
GN 31-100-M24-125-C4-U*	100	M24	125	20	6	38	3	19	12	-
GN 31-100-M24-150-B1-U*	100	M24	150	20	6	38	3	19	12	-
GN 31-100-M24-150-B2-U*	100	M24	150	20	6	38	3	19	12	-
GN 31-100-M24-150-B3-U*	100	M24	150	20	6	38	3	19	12	-
GN 31-100-M24-150-B4-U*	100	M24	150	20	6	38	3	19	12	-
GN 31-100-M24-150-C3-U*	100	M24	150	20	6	38	3	19	12	-
GN 31-100-M24-150-C4-U*	100	M24	150	20	6	38	3	19	12	-
GN 31-100-M24-200-B1-U*	100	M24	200	20	6	38	3	19	12	-
GN 31-100-M24-200-B2-U*	100	M24	200	20	6	38	3	19	12	-
GN 31-100-M24-200-B3-U*	100	M24	200	20	6	38	3	19	12	-
GN 31-100-M24-200-B4-U*	100	M24	200	20	6	38	3	19	12	-
GN 31-100-M24-200-C3-U*	100	M24	200	20	6	38	3	19	12	-
GN 31-100-M24-200-C4-U*	100	M24	200	20	6	38	3	19	12	-
GN 31-120-M20-100-B1-U*	120	M20	100	22	6	39	4	15	10	-
GN 31-120-M20-100-B2-U*	120	M20	100	22	6	39	4	15	10	-
GN 31-120-M20-125-B1-U*	120	M20	100	22	6	39	4	15	10	-
GN 31-120-M20-125-B2-U*	120	M20	125	22	6	39	4	15	10	-
GN 31-120-M20-150-B1-U*	120	M20	150	22	6	39	4	15	10	-
GN 31-120-M20-150-B2-U*	120	M20	150	22	6	39	4	15	10	-
GN 31-120-M20-200-B1-U*	120	M20	200	22	6	39	4	15	10	-
GN 31-120-M20-200-B2-U*	120	M20	200	22	6	39	4	15	10	-
GN 31-120-M24-100-B1-U*	120	M24	100	22	6	42	4	19	12	-
GN 31-120-M24-100-B2-U*	120	M24	100	22	6	42	4	19	12	-
GN 31-120-M24-125-B1-U*	120	M24	125	22	6	42	4	19	12	-
GN 31-120-M24-125-B2-U*	120	M24	125	22	6	42	4	19	12	-
GN 31-120-M24-150-B1-U*	120	M24	150	22	6	42	4	19	12	-
GN 31-120-M24-150-B2-U*	120	M24	150	22	6	42	4	19	12	-
GN 31-120-M24-200-B1-U*	120	M24	200	22	6	42	4	19	12	-
GN 31-120-M24-200-B2-U*	120	M24	200	22	6	42	4	19	12	-
GN 31-120-M30-100-B1-U*	120	M30	100	22	6	46	4	24	12	-
GN 31-120-M30-100-B2-U*	120	M30	100	22	6	46	4	24	12	-
GN 31-120-M30-125-B1-U*	120	M30	125	22	6	46	4	24	12	-
GN 31-120-M30-125-B2-U*	120	M30	125	22	6	46	4	24	12	-
GN 31-120-M30-150-B1-U*	120	M30	150	22	6	46	4	24	12	-
GN 31-120-M30-150-B2-U*	120	M30	150	22	6	46	4	24	12	-
GN 31-120-M30-200-B1-U*	120	M30	200	22	6	46	4	24	12	-

GN 31-120-M30-200-B2-U*	120	M30	200	22	6	46	4	24	12	-
-------------------------	-----	-----	-----	----	---	----	---	----	----	---

\* Complete the description of the standard item by adding a "k", if you want to order with locknut.

Standard Elements	Main dimensions									Weight
Description	d <sub>1</sub>	d <sub>2</sub>	l <sub>2</sub>	h <sub>1</sub>	h <sub>2</sub>	h <sub>5</sub> +4.0/0	s	A/F <sub>4</sub>	A/F <sub>5</sub>	g
GN 31-60-M16-75-B1-V*	60	M16	75	16	4	27	3	10	12	-
GN 31-60-M16-75-B2-V*	60	M16	75	16	4	27	3	10	12	-
GN 31-60-M16-75-B3-V*	60	M16	75	16	4	27	3	10	12	-
GN 31-60-M16-75-B4-V*	60	M16	75	16	4	27	3	10	12	-
GN 31-60-M16-75-C3-V*	60	M16	75	16	4	27	3	10	12	-
GN 31-60-M16-75-C4-V*	60	M16	75	16	4	27	3	10	12	-
GN 31-60-M16-100-B1-V*	60	M16	100	16	4	27	3	10	12	-
GN 31-60-M16-100-B2-V*	60	M16	100	16	4	27	3	10	12	-
GN 31-60-M16-100-B3-V*	60	M16	100	16	4	27	3	10	12	-
GN 31-60-M16-100-B4-V*	60	M16	100	16	4	27	3	10	12	-
GN 31-60-M16-100-C3-V*	60	M16	100	16	4	27	3	10	12	-
GN 31-60-M16-100-C4-V*	60	M16	100	16	4	27	3	10	12	-
GN 31-60-M16-125-B1-V*	60	M16	125	16	4	27	3	10	12	-
GN 31-60-M16-125-B2-V*	60	M16	125	16	4	27	3	10	12	-
GN 31-60-M16-125-B3-V*	60	M16	125	16	4	27	3	10	12	-
GN 31-60-M16-125-B4-V*	60	M16	125	16	4	27	3	10	12	-
GN 31-60-M16-125-C3-V*	60	M16	125	16	4	27	3	10	12	-
GN 31-60-M16-125-C4-V*	60	M16	125	16	4	27	3	10	12	-
GN 31-60-M16-150-B1-V*	60	M16	150	16	4	27	3	10	12	-
GN 31-60-M16-150-B2-V*	60	M16	150	16	4	27	3	10	12	-
GN 31-60-M16-150-B3-V*	60	M16	150	16	4	27	3	10	12	-
GN 31-60-M16-150-B4-V*	60	M16	150	16	4	27	3	10	12	-
GN 31-60-M16-150-C3-V*	60	M16	150	16	4	27	3	10	12	-
GN 31-60-M16-150-C4-V*	60	M16	150	16	4	27	3	10	12	-
GN 31-80-M16-75-B1-V*	80	M16	75	18	5	29	3	10	12	-
GN 31-80-M16-75-B2-V*	80	M16	75	18	5	29	3	10	12	-
GN 31-80-M16-75-B3-V*	80	M16	75	18	5	29	3	10	12	-
GN 31-80-M16-75-B4-V*	80	M16	75	18	5	29	3	10	12	-
GN 31-80-M16-75-C3-V*	80	M16	75	18	5	29	3	10	12	-
GN 31-80-M16-75-C4-V*	80	M16	75	18	5	29	3	10	12	-
GN 31-80-M16-100-B1-V*	80	M16	100	18	5	29	3	10	12	-
GN 31-80-M16-100-B2-V*	80	M16	100	18	5	29	3	10	12	-
GN 31-80-M16-100-B3-V*	80	M16	100	18	5	29	3	10	12	-
GN 31-80-M16-100-B4-V*	80	M16	100	18	5	29	3	10	12	-
GN 31-80-M16-100-C3-V*	80	M16	100	18	5	29	3	10	12	-
GN 31-80-M16-100-C4-V*	80	M16	100	18	5	29	3	10	12	-
GN 31-80-M16-125-B1-V*	80	M16	125	18	5	29	3	10	12	-
GN 31-80-M16-125-B2-V*	80	M16	125	18	5	29	3	10	12	-
GN 31-80-M16-125-B3-V*	80	M16	125	18	5	29	3	10	12	-
GN 31-80-M16-125-B4-V*	80	M16	125	18	5	29	3	10	12	-

GN 31-80-M16-125-C3-V*	80	M16	125	18	5	29	3	10	12	-
GN 31-80-M16-125-C4-V*	80	M16	125	18	5	29	3	10	12	-
GN 31-80-M16-150-B1-V*	80	M16	150	18	5	29	3	10	12	-
GN 31-80-M16-150-B2-V*	80	M16	150	18	5	29	3	10	12	-
GN 31-80-M16-150-B3-V*	80	M16	150	18	5	29	3	10	12	-
GN 31-80-M16-150-B4-V*	80	M16	150	18	5	29	3	10	12	-
GN 31-80-M16-150-C3-V*	80	M16	150	18	5	29	3	10	12	-
GN 31-80-M16-150-C4-V*	80	M16	150	18	5	29	3	10	12	-
GN 31-80-M20-100-B1-V*	80	M20	100	18	5	30	3	13	16	-
GN 31-80-M20-100-B2-V*	80	M20	100	18	5	30	3	13	16	-
GN 31-80-M20-100-B3-V*	80	M20	100	18	5	30	3	13	16	-
GN 31-80-M20-100-B4-V*	80	M20	100	18	5	30	3	13	16	-
GN 31-80-M20-100-C3-V*	80	M20	100	18	5	30	3	13	16	-
GN 31-80-M20-100-C4-V*	80	M20	100	18	5	30	3	13	16	-
GN 31-80-M20-125-B1-V*	80	M20	125	18	5	30	3	13	16	-
GN 31-80-M20-125-B2-V*	80	M20	125	18	5	30	3	13	16	-
GN 31-80-M20-125-B3-V*	80	M20	125	18	5	30	3	13	16	-
GN 31-80-M20-125-B4-V*	80	M20	125	18	5	30	3	13	16	-
GN 31-80-M20-125-C3-V*	80	M20	125	18	5	30	3	13	16	-
GN 31-80-M20-125-C4-V*	80	M20	125	18	5	30	3	13	16	-
GN 31-80-M20-150-B1-V*	80	M20	150	18	5	30	3	13	16	-
GN 31-80-M20-150-B2-V*	80	M20	150	18	5	30	3	13	16	-
GN 31-80-M20-150-B3-V*	80	M20	150	18	5	30	3	13	16	-
GN 31-80-M20-150-B4-V*	80	M20	150	18	5	30	3	13	16	-
GN 31-80-M20-150-C3-V*	80	M20	150	18	5	30	3	13	16	-
GN 31-80-M20-150-C4-V*	80	M20	150	18	5	30	3	13	16	-
GN 31-80-M20-200-B1-V*	80	M20	200	18	5	30	3	13	16	-
GN 31-80-M20-200-B2-V*	80	M20	200	18	5	30	3	13	16	-
GN 31-80-M20-200-B3-V*	80	M20	200	18	5	30	3	13	16	-
GN 31-80-M20-200-B4-V*	80	M20	200	18	5	30	3	13	16	-
GN 31-80-M20-200-C3-V*	80	M20	200	18	5	30	3	13	16	-
GN 31-80-M20-200-C4-V*	80	M20	200	18	5	30	3	13	16	-
GN 31-80-M24-100-B1-V*	80	M24	100	18	5	33	3	17	20	-
GN 31-80-M24-100-B2-V*	80	M24	100	18	5	33	3	17	20	-
GN 31-80-M24-100-B3-V*	80	M24	100	18	5	33	3	17	20	-
GN 31-80-M24-100-B4-V*	80	M24	100	18	5	33	3	17	20	-
GN 31-80-M24-100-C3-V*	80	M24	100	18	5	33	3	17	20	-
GN 31-80-M24-100-C4-V*	80	M24	100	18	5	33	3	17	20	-
GN 31-80-M24-150-B1-V*	80	M24	150	18	5	33	3	17	20	-
GN 31-80-M24-150-B2-V*	80	M24	150	18	5	33	3	17	20	-
GN 31-80-M24-150-B3-V*	80	M24	150	18	5	33	3	17	20	-
GN 31-80-M24-150-B4-V*	80	M24	150	18	5	33	3	17	20	-
GN 31-80-M24-150-C3-V*	80	M24	150	18	5	33	3	17	20	-
GN 31-80-M24-150-C4-V*	80	M24	150	18	5	33	3	17	20	-
GN 31-80-M24-200-B1-V*	80	M24	200	18	5	33	3	17	20	-

GN 31-80-M24-200-B2-V*	80	M24	200	18	5	33	3	17	20	-
GN 31-80-M24-200-B3-V*	80	M24	200	18	5	33	3	17	20	-
GN 31-80-M24-200-B4-V*	80	M24	200	18	5	33	3	17	20	-
GN 31-80-M24-200-C3-V*	80	M24	200	18	5	33	3	17	20	-
GN 31-80-M24-200-C4-V*	80	M24	200	18	5	33	3	17	20	-
GN 31-100-M16-75-B1-V*	100	M24	75	20	6	31	3	10	12	-
GN 31-100-M16-75-B2-V*	100	M16	75	20	6	31	3	10	12	-
GN 31-100-M16-75-B3-V*	100	M16	75	20	6	31	3	10	12	-
GN 31-100-M16-75-B4-V*	100	M16	75	20	6	31	3	10	12	-
GN 31-100-M16-75-C3-V*	100	M16	75	20	6	31	3	10	12	-
GN 31-100-M16-75-C4-V*	100	M16	75	20	6	31	3	10	12	-
GN 31-100-M16-100-B1-V*	100	M16	100	20	6	31	3	10	12	-
GN 31-100-M16-100-B2-V*	100	M16	100	20	6	31	3	10	12	-
GN 31-100-M16-100-B3-V*	100	M16	100	20	6	31	3	10	12	-
GN 31-100-M16-100-B4-V*	100	M16	100	20	6	31	3	10	12	-
GN 31-100-M16-100-C3-V*	100	M16	100	20	6	31	3	10	12	-
GN 31-100-M16-100-C4-V*	100	M16	100	20	6	31	3	10	12	-
GN 31-100-M16-125-B1-V*	100	M16	125	20	6	31	3	10	12	-
GN 31-100-M16-125-B2-V*	100	M16	125	20	6	31	3	10	12	-
GN 31-100-M16-125-B3-V*	100	M16	125	20	6	31	3	10	12	-
GN 31-100-M16-125-B4-V*	100	M16	125	20	6	31	3	10	12	-
GN 31-100-M16-125-C3-V*	100	M16	125	20	6	31	3	10	12	-
GN 31-100-M16-125-C4-V*	100	M16	125	20	6	31	3	10	12	-
GN 31-100-M16-150-B1-V*	100	M16	150	20	6	31	3	10	12	-
GN 31-100-M16-150-B2-V*	100	M16	150	20	6	31	3	10	12	-
GN 31-100-M16-150-B3-V*	100	M16	150	20	6	31	3	10	12	-
GN 31-100-M16-150-B4-V*	100	M16	150	20	6	31	3	10	12	-
GN 31-100-M16-150-C3-V*	100	M16	150	20	6	31	3	10	12	-
GN 31-100-M16-150-C4-V*	100	M16	150	20	6	31	3	10	12	-
GN 31-100-M20-100-B1-V*	100	M20	100	20	6	32	3	13	16	-
GN 31-100-M20-100-B2-V*	100	M20	100	20	6	32	3	13	16	-
GN 31-100-M20-100-B3-V*	100	M20	100	20	6	32	3	13	16	-
GN 31-100-M20-100-B4-V*	100	M20	100	20	6	32	3	13	16	-
GN 31-100-M20-100-C3-V*	100	M20	100	20	6	32	3	13	16	-
GN 31-100-M20-100-C4-V*	100	M20	100	20	6	32	3	13	16	-
GN 31-100-M20-125-B1-V*	100	M20	125	20	6	32	3	13	16	-
GN 31-100-M20-125-B2-V*	100	M20	125	20	3	32	3	13	16	-
GN 31-100-M20-125-B3-V*	100	M20	125	20	6	32	3	13	16	-
GN 31-100-M20-125-B4-V*	100	M20	125	20	6	32	3	13	16	-
GN 31-100-M20-125-C3-V*	100	M20	125	20	6	32	3	13	16	-
GN 31-100-M20-125-C4-V*	100	M20	125	20	6	32	3	13	16	-
GN 31-100-M20-150-B1-V*	100	M20	150	20	6	32	3	13	16	-
GN 31-100-M20-150-B2-V*	100	M20	150	20	6	32	3	13	16	-
GN 31-100-M20-150-B3-V*	100	M20	150	20	6	32	3	13	16	-

GN 31-100-M20-150-B4-V*	100	M20	150	20	3	32	3	13	16	-
GN 31-100-M20-150-C3-V*	100	M20	150	20	6	32	3	13	16	-
GN 31-100-M20-150-C4-V*	100	M20	150	20	6	32	3	13	16	-
GN 31-100-M20-200-B1-V*	100	M20	200	20	6	32	3	13	16	-
GN 31-100-M20-200-B2-V*	100	M20	200	20	6	32	3	13	16	-
GN 31-100-M20-200-B3-V*	100	M20	200	20	6	32	3	13	16	-
GN 31-100-M20-200-B4-V*	100	M20	200	20	6	32	3	13	16	-
GN 31-100-M20-200-C3-V*	100	M20	200	20	6	32	3	13	16	-
GN 31-100-M20-200-C4-V*	100	M20	200	20	6	32	3	13	16	-
GN 31-100-M24-100-B1-V*	100	M24	100	20	6	35	3	17	20	-
GN 31-100-M24-100-B2-V*	100	M24	100	20	6	35	3	17	20	-
GN 31-100-M24-100-B3-V*	100	M24	100	20	6	35	3	17	20	-
GN 31-100-M24-100-B4-V*	100	M24	100	20	6	35	3	17	20	-
GN 31-100-M24-100-C3-V*	100	M24	100	20	6	35	3	17	20	-
GN 31-100-M24-100-C4-V*	100	M24	100	20	6	35	3	17	20	-
GN 31-100-M24-150-B1-V*	100	M24	150	20	6	35	3	17	20	-
GN 31-100-M24-150-B2-V*	100	M24	150	20	6	35	3	17	20	-
GN 31-100-M24-150-B3-V*	100	M24	150	20	6	35	3	17	20	-
GN 31-100-M24-150-B4-V*	100	M24	15	20	6	35	3	17	20	-
GN 31-100-M24-150-C3-V*	100	M24	150	20	6	35	3	17	20	-
GN 31-100-M24-150-C4-V*	100	M24	150	20	6	35	3	17	20	-
GN 31-100-M24-200-B1-V*	100	M24	200	20	6	35	3	17	20	-
GN 31-100-M24-200-B2-V*	100	M24	200	20	6	35	3	17	20	-
GN 31-100-M24-200-B3-V*	100	M24	200	20	6	35	3	17	20	-
GN 31-100-M24-200-B4-V*	100	M24	200	20	6	35	3	17	20	-
GN 31-100-M24-200-C3-V*	100	M24	200	20	6	35	3	17	20	-
GN 31-100-M24-200-C4-V*	100	M24	200	20	6	35	3	17	20	-

\* Complete the description of the standard item by adding a "k", if you want to order with locknut.

Standard Elements	Main dimensions												Weight
Description	d <sub>1</sub>	d <sub>2</sub>	l <sub>3+4.0/0</sub>	d <sub>3</sub>	h <sub>1</sub>	h <sub>2</sub>	l <sub>4</sub>	l <sub>5</sub>	l <sub>6</sub>	s	A/F <sub>5</sub>	A/F <sub>6</sub>	g
GN 31-60-M16-123-B1-W	60	M16	123	24	16	4	45	45	29	3	12	20	-
GN 31-60-M16-123-B2-W	60	M16	123	24	16	4	45	45	29	3	12	20	-
GN 31-60-M16-123-B3-W	60	M16	123	24	16	4	45	45	29	3	12	20	-
GN 31-60-M16-123-B4-W	60	M16	123	24	16	4	45	45	29	3	12	20	-
GN 31-60-M16-123-C3-W	60	M16	123	24	16	4	45	45	29	3	12	20	-
GN 31-60-M16-123-C4-W	60	M16	123	24	16	4	45	45	29	3	12	20	-
GN 31-60-M16-148-B1-W	60	M16	148	24	16	4	45	45	29	3	12	20	-
GN 31-60-M16-148-B2-W	60	M16	148	24	16	4	45	45	29	3	12	20	-
GN 31-60-M16-148-B3-W	60	M16	148	24	16	4	45	45	29	3	12	20	-
GN 31-60-M16-148-B4-W	60	M16	148	24	16	4	45	45	29	3	12	20	-
GN 31-60-M16-148-C3-W	60	M16	148	24	16	4	45	45	29	3	12	20	-
GN 31-60-M16-148-C4-W	60	M16	148	24	16	4	45	45	29	3	12	20	-
GN 31-60-M16-173-B1-W	60	M16	173	24	16	4	45	45	29	3	12	20	-
GN 31-60-M16-173-B2-W	60	M16	173	24	16	4	45	45	29	3	12	20	-
GN 31-60-M16-173-B3-W	60	M16	173	24	16	4	45	45	29	3	12	20	-



GN 31-80-M20-174-C 4-W	80	M20	174	30	18	5	56	56	36	3	16	24	-
GN 31-80-M20-199-B1-W	80	M20	199	30	18	5	56	56	36	3	16	24	-
GN 31-80-M20-199-B2-W	80	M20	199	30	18	5	56	56	36	3	16	24	-
GN 31-80-M20-199-B3-W	80	M20	199	30	18	5	56	56	36	3	19	24	-
GN 31-80-M20-199-B4-W	80	M20	199	30	18	5	56	56	36	3	16	24	-
GN 31-80-M20-199-C 3-W	80	M20	199	30	18	5	56	56	36	3	16	24	-
GN 31-80-M20-199-C 4-W	80	M20	199	30	18	5	56	56	36	3	16	24	-
GN 31-80-M20-249-B1-W	80	M20	249	30	18	5	56	56	36	3	16	24	-
GN 31-80-M20-249-B2-W	80	M20	249	30	18	5	56	56	36	3	16	24	-
GN 31-80-M20-249-B3-W	80	M20	249	30	18	5	56	56	36	3	16	24	-
GN 31-80-M20-249-B4-W	80	M20	249	30	18	5	56	56	36	3	16	24	-
GN 31-80-M20-249-C 3-W	80	M20	249	30	18	5	56	56	36	3	16	24	-
GN 31-80-M20-249-C 4-W	80	M20	249	30	18	5	56	56	36	3	16	24	-
GN 31-80-M24-174-B1-W	80	M24	174	35	18	5	67	67	42	3	20	30	-
GN 31-80-M24-174-B2-W	80	M24	174	35	18	5	67	67	42	3	20	30	-
GN 31-80-M24-174-B3-W	80	M24	174	35	18	5	67	67	42	3	20	30	-
GN 31-80-M24-174-B4-W	80	M24	174	35	18	5	67	67	42	3	20	30	-
GN 31-80-M24-174-C 3-W	80	M24	174	35	18	5	67	67	42	3	20	30	-
GN 31-80-M24-174-C 4-W	80	M24	174	35	18	5	67	67	42	3	20	30	-
GN 31-80-M24-224-B1-W	80	M24	224	35	18	5	67	67	42	3	20	30	-
GN 31-80-M24-224-B2-W	80	M24	224	35	18	5	67	67	42	3	20	30	-
GN 31-80-M24-224-B3-W	80	M24	224	35	18	5	67	67	42	3	20	30	-
GN 31-80-M24-224-B4-W	80	M24	224	35	18	5	67	67	42	3	20	30	-
GN 31-80-M24-224-C 3-W	80	M24	224	35	18	5	67	67	42	3	20	30	-
GN 31-80-M24-224-C 4-W	80	M24	224	35	18	5	67	67	42	3	20	30	-
GN 31-80-M24-274-B1-W	80	M24	274	35	18	5	67	67	42	3	20	30	-
GN 31-80-M24-274-B2-W	80	M24	274	35	18	5	67	67	42	3	20	30	-
GN 31-80-M24-274-B3-W	80	M24	274	35	18	5	67	67	42	3	20	30	-
GN 31-80-M24-274-B4-W	80	M24	274	35	18	5	67	67	42	3	20	30	-
GN 31-80-M24-274-C 3-W	80	M24	274	35	18	5	67	67	42	3	20	30	-
GN 31-80-M24-274-C 4-W	80	M24	274	35	18	5	67	67	42	3	20	30	-
GN 31-100-M16-126-B1-W	100	M16	126	24	20	6	45	45	29	3	12	20	-
GN 31-100-M16-126-B2-W	100	M16	126	24	20	6	45	45	29	3	12	20	-
GN 31-100-M16-126-B3-W	100	M16	126	24	20	6	45	45	29	3	12	20	-
GN 31-100-M16-126-B4-W	100	M16	126	24	20	6	45	45	29	3	12	20	-
GN 31-100-M16-126-C 3-W	100	M16	126	24	20	6	45	45	29	3	12	20	-
GN 31-100-M16-126-C 4-W	100	M16	126	24	20	6	45	45	29	3	12	20	-
GN 31-100-M16-151-B1-W	100	M16	151	24	20	6	45	45	29	3	12	20	-
GN 31-100-M16-151-B2-W	100	M16	151	24	20	6	45	45	29	3	12	20	-
GN 31-100-M16-151-B3-W	100	M16	151	24	20	6	45	45	29	3	12	20	-
GN 31-100-M16-151-B4-W	100	M16	151	24	20	6	45	45	29	3	12	20	-
GN 31-100-M16-151-C 3-W	100	M16	151	24	20	6	45	45	29	3	12	20	-
GN 31-100-M16-151-C 4-W	100	M16	151	24	20	6	45	45	29	3	12	20	-
GN 31-100-M16-176-B1-W	100	M16	176	24	20	6	45	45	29	3	12	20	-
GN 31-100-M16-176-B2-W	100	M16	176	24	20	6	45	45	29	3	12	20	-





GN 31-100-M24-226-C3-W	100	M24	226	35	20	6	67	67	42	3	20	30	-
GN 31-100-M24-226-C4-W	100	M24	226	35	20	6	67	67	42	3	20	30	-
GN 31-100-M24-276-B1-W	100	M24	276	35	20	6	67	67	42	3	20	30	-
GN 31-100-M24-276-B2-W	100	M24	276	35	20	6	67	67	42	3	20	30	-
GN 31-100-M24-276-B3-W	100	M24	276	35	20	6	67	67	42	3	20	30	-
GN 31-100-M24-276-B4-W	100	M24	276	35	20	6	67	67	42	3	20	30	-
GN 31-100-M24-276-C3-W	100	M24	276	35	20	6	67	67	42	3	20	30	-
GN 31-100-M24-276-C4-W	100	M24	276	35	20	6	67	67	42	3	20	30	-

Standard Elements		Main dimensions									Weight
Description	d <sub>1</sub>	d <sub>2</sub>	l <sub>7</sub> <sup>+4.0/0</sup>	h <sub>1</sub>	h <sub>2</sub>	s	A/F <sub>7</sub>	t	g		
GN 31-50-M8-37-B1-X	50	M8	37	14.5	3.5	3	14	8	-		
GN 31-50-M8-37-B2-X	50	M8	37	14.5	3.5	3	14	8	-		
GN 31-50-M10-40-B1-X	50	M10	40	14.5	3.5	3	14	10	-		
GN 31-50-M10-40-B2-X	50	M10	40	14.5	3.5	3	14	10	-		
GN 31-50-M12-43-B1-X	50	M12	43	14.5	3.5	3	17	12	-		
GN 31-50-M12-43-B2-X	50	M12	43	14.5	3.5	3	17	12	-		
GN 31-50-M16-49-B1-X	50	M16	49	16	3.5	3	22	16	-		
GN 31-50-M16-49-B2-X	50	M16	49	16	3.5	3	22	16	-		
GN 31-60-M8-38-B1-X	60	M8	38	16	4	3	14	8	-		
GN 31-60-M8-38-B2-X	60	M8	38	16	4	3	14	8	-		
GN 31-60-M8-38-B3-X	60	M8	38	16	4	3	14	8	-		
GN 31-60-M8-38-B4-X	60	M8	38	16	4	3	14	8	-		
GN 31-60-M8-38-C3-X	60	M8	38	16	4	3	14	8	-		
GN 31-60-M8-38-C4-X	60	M8	38	16	4	3	14	8	-		
GN 31-60-M10-41-B1-X	60	M10	41	16	4	3	14	10	-		
GN 31-60-M10-41-B2-X	60	M10	41	16	4	3	14	10	-		
GN 31-60-M10-41-B3-X	60	M10	41	16	4	3	14	10	-		
GN 31-60-M10-41-B4-X	60	M10	41	16	4	3	14	10	-		
GN 31-60-M10-41-C3-X	60	M10	41	16	4	3	14	10	-		
GN 31-60-M10-41-C4-X	60	M10	41	16	4	3	14	10	-		
GN 31-60-M12-45-B1-X	60	M12	45	16	4	3	17	12	-		
GN 31-60-M12-45-B2-X	60	M12	45	16	4	3	17	12	-		
GN 31-60-M12-45-B3-X	60	M12	45	16	4	3	17	12	-		
GN 31-60-M12-45-B4-X	60	M12	45	16	4	3	17	12	-		
GN 31-60-M12-45-C3-X	60	M12	45	16	4	3	17	12	-		
GN 31-60-M12-45-C4-X	60	M12	45	16	4	3	17	12	-		
GN 31-60-M16-50-B1-X	60	M16	50	16	4	3	22	16	-		
GN 31-60-M16-50-B2-X	60	M16	50	16	4	3	22	16	-		
GN 31-60-M16-50-B3-X	60	M16	50	16	4	3	22	16	-		
GN 31-60-M16-50-B4-X	60	M16	50	16	4	3	22	16	-		
GN 31-60-M16-50-C3-X	60	M16	50	16	4	3	22	16	-		
GN 31-60-M16-50-C4-X	60	M16	50	16	4	3	22	16	-		
GN 31-80-M8-40-B1-X	80	M8	40	18	5	3	14	8	-		
GN 31-80-M8-40-B2-X	80	M8	40	18	5	3	14	8	-		
GN 31-80-M8-40-B3-X	80	M8	40	18	5	3	14	8	-		

GN 31-80-M8-40-B4-X	80	M8	40	18	5	3	14	8	-
GN 31-80-M8-40-C3-X	80	M8	40	18	5	3	14	8	-
GN 31-80-M8-40-C4-X	80	M8	40	18	5	3	14	8	-
GN 31-80-M10-43-B1-X	80	M10	43	18	5	3	14	10	-
GN 31-80-M10-43-B2-X	80	M10	43	18	5	3	14	10	-
GN 31-80-M10-43-B3-X	80	M10	43	18	5	3	14	10	-
GN 31-80-M10-43-B4-X	80	M10	43	18	5	3	14	10	-
GN 31-80-M10-43-C3-X	80	M10	43	18	5	3	14	10	-
GN 31-80-M10-43-C4-X	80	M10	43	18	5	3	14	10	-
GN 31-80-M12-47-B1-X	80	M12	47	18	5	3	17	12	-
GN 31-80-M12-47-B2-X	80	M12	47	18	5	3	17	12	-
GN 31-80-M12-47-B3-X	80	M12	47	18	5	3	17	12	-
GN 31-80-M12-47-B4-X	80	M12	47	18	5	3	17	12	-
GN 31-80-M12-47-C3-X	80	M12	47	18	5	3	17	12	-
GN 31-80-M12-47-C4-X	80	M12	47	18	5	3	17	12	-
GN 31-80-M16-52-B1-X	80	M16	52	18	5	3	22	16	-
GN 31-80-M16-52-B2-X	80	M16	52	18	5	3	22	16	-
GN 31-80-M16-52-B3-X	80	M16	52	18	5	3	22	16	-
GN 31-80-M16-52-B4-X	80	M16	52	18	5	3	22	16	-
GN 31-80-M16-52-C3-X	80	M16	52	18	5	3	22	16	-
GN 31-80-M16-52-C4-X	80	M16	52	18	5	3	22	16	-
GN 31-80-M20-60-B1-X	80	M20	60	18	5	3	27	20	-
GN 31-80-M20-60-B2-X	80	M20	60	18	5	3	27	20	-
GN 31-80-M20-60-B3-X	80	M20	60	18	5	3	27	20	-
GN 31-80-M20-60-B4-X	80	M20	60	18	5	3	27	20	-
GN 31-80-M20-60-C3-X	80	M20	60	18	5	3	27	20	-
GN 31-80-M20-60-C4-X	80	M20	60	18	5	3	27	20	-
GN 31-100-M8-42-B1-X	100	M8	42	20	6	3	14	8	-
GN 31-100-M8-42-B2-X	100	M8	42	20	6	3	14	8	-
GN 31-100-M8-42-B3-X	100	M8	42	20	6	3	14	8	-
GN 31-100-M8-42-B4-X	100	M8	42	20	6	3	14	8	-
GN 31-100-M8-42-C3-X	100	M8	42	20	6	3	14	8	-
GN 31-100-M8-42-C4-X	100	M8	42	20	6	3	14	8	-
GN 31-100-M10-45-B1-X	100	M10	45	20	6	3	14	10	-
GN 31-100-M10-45-B2-X	100	M10	45	20	6	3	14	10	-
GN 31-100-M10-45-B3-X	100	M10	45	20	6	3	14	10	-
GN 31-100-M10-45-B4-X	100	M10	45	20	6	3	14	10	-
GN 31-100-M10-45-C3-X	100	M10	45	20	6	3	14	10	-
GN 31-100-M10-45-C4-X	100	M10	45	20	6	3	14	10	-
GN 31-100-M12-49-B1-X	100	M12	49	20	6	3	17	12	-
GN 31-100-M12-49-B2-X	100	M12	49	20	6	3	17	12	-
GN 31-100-M12-49-B3-X	100	M12	49	20	6	3	17	12	-
GN 31-100-M12-49-B4-X	100	M12	49	20	6	3	17	12	-
GN 31-100-M12-49-C3-X	100	M12	49	20	6	3	17	12	-

GN 31-100-M12-49-C4-X	100	M12	49	20	6	3	17	12	-
GN 31-100-M16-54-B1-X	100	M16	54	20	6	3	22	16	-
GN 31-100-M16-54-B2-X	100	M16	54	20	6	3	22	16	-
GN 31-100-M16-54-B3-X	100	M16	54	20	6	3	22	16	-
GN 31-100-M16-54-B4-X	100	M16	54	20	6	3	22	16	-
GN 31-100-M16-54-C3-X	100	M16	54	20	6	3	22	16	-
GN 31-100-M16-54-C4-X	100	M16	54	20	6	3	22	16	-
GN 31-100-M20-62-B1-X	100	M20	62	20	6	3	27	20	-
GN 31-100-M20-62-B2-X	100	M20	62	20	6	3	27	20	-
GN 31-100-M20-62-B3-X	100	M20	62	20	6	3	27	20	-
GN 31-100-M20-62-B4-X	100	M20	62	20	6	3	27	20	-
GN 31-100-M20-62-C3-X	100	M20	62	20	6	3	27	20	-
GN 31-100-M20-62-C4-X	100	M20	62	20	6	3	27	20	-
GN 31-100-M20-65-B1-X	120	M20	65	22	6	4	27	20	-
GN 31-100-M20-65-B2-X	120	M20	65	22	6	4	27	20	-



STANDARD MACHINE ELEMENTS WORLDWIDE