

Adjustable Stainless Steel- Hand levers

Hygienic Design

SPECIFICATION

Handle
Stainless Steel precision casting

- AISI CF-8
- polished ($R_a < 0.8 \mu\text{m}$) **PL**

Version with threaded insert

Stainless Steel AISI 304

Version with threaded stud

Stainless Steel AISI 304

Sealing ring / Wiper

hydrogenated acrylonitrile butadiene rubber (H-NBR) **H**

- blue
- temperature resistant -25°C to $+150^\circ\text{C}$
- Hardness 85 ± 5 Shore A
- FDA compliant

INFORMATION

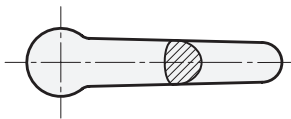
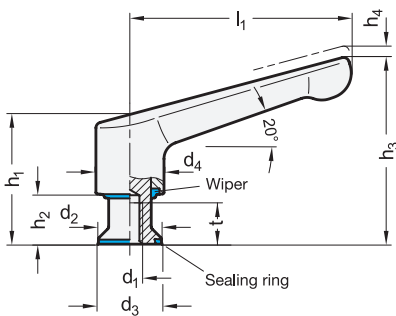
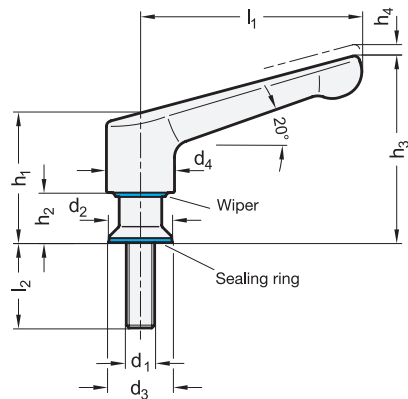
GN 305 adjustable hand levers with solid Stainless Steel handles are intended for use in hygiene areas. The sealed mounting surface enables fastening without dead spaces. The high quality finish as well as the impervious exterior surfaces prevent adherence of dirt and facilitate cleaning.

Adjustable hand levers are ideal whenever parts have to be clamped in a confined space or in a particular lever position.

The threaded insert is moveably attached to the handle with serrations. When pulling the handle, the serration frees itself and can be re-located into any required position. Engagement is achieved by releasing the lever.

TECHNICAL INFORMATION

- Stainless Steel characteristics (see page A26)



GN 305-with threaded stud

STAINLESS STEEL

Description	l1	d1	l2	d2	d3	d4	h1	h2	h3	h4	Δ
GN 305-63-M6-12-PL-H	63	M6	12	14	14.8	19	43.8	16.3	60.1	2.5	106
GN 305-63-M6-16-PL-H	63	M6	16	14	14.8	19	43.8	16.3	60.1	2.5	107
GN 305-63-M6-20-PL-H	63	M6	20	14	14.8	19	43.8	16.3	60.1	2.5	108
GN 305-63-M6-25-PL-H	63	M6	25	14	14.8	19	43.8	16.3	60.1	2.5	110
GN 305-63-M6-32-PL-H	63	M6	32	14	14.8	19	43.8	16.3	60.1	2.5	113
GN 305-63-M8-12-PL-H	63	M8	12	18	18.8	19	45.8	18.3	62.1	2.5	120
GN 305-63-M8-16-PL-H	63	M8	16	18	18.8	19	45.8	18.3	62.1	2.5	125
GN 305-63-M8-20-PL-H	63	M8	20	18	18.8	19	45.8	18.3	62.1	2.5	132
GN 305-63-M8-25-PL-H	63	M8	25	18	18.8	19	45.8	18.3	62.1	2.5	140
GN 305-63-M8-32-PL-H	63	M8	32	18	18.8	19	45.8	18.3	62.1	2.5	150
GN 305-78-M8-12-PL-H	78	M8	12	18	18.8	24	49.3	16.5	69.3	3	193
GN 305-78-M8-16-PL-H	78	M8	16	18	18.8	24	49.3	16.5	69.3	3	195
GN 305-78-M8-20-PL-H	78	M8	20	18	18.8	24	49.3	16.5	69.3	3	198
GN 305-78-M8-25-PL-H	78	M8	25	18	18.8	24	49.3	16.5	69.3	3	200
GN 305-78-M8-32-PL-H	78	M8	32	18	18.8	24	49.3	16.5	69.3	3	230
GN 305-78-M10-16-PL-H	78	M10	16	22	22.8	24	51.3	18.5	71.3	3	270
GN 305-78-M10-20-PL-H	78	M10	20	22	22.8	24	51.3	18.5	71.3	3	290
GN 305-78-M10-25-PL-H	78	M10	25	22	22.8	24	51.3	18.5	71.3	3	295
GN 305-78-M10-32-PL-H	78	M10	32	22	22.8	24	51.3	18.5	71.3	3	308

GN 305-with threaded insert

STAINLESS STEEL

Description	l1	d1	d2	d3	d4	h1	h2	h3	h4	t min.	Δ
GN 305-63-M6-PL-H	63	M6	14	14.8	19	43.8	16.3	60.1	2.5	10	104
GN 305-63-M8-PL-H	63	M8	18	18.8	19	45.8	18.3	62.1	2.5	12	108
GN 305-78-M8-PL-H	78	M8	18	18.8	24	49.3	16.5	69.3	3	12	194
GN 305-78-M10-PL-H	78	M10	22	22.8	24	51.3	18.5	71.3	3	15	189