

Adjustable hand levers

with push button/ Zinc die casting, Bushing /
Threaded bolt Stainless Steel

SPECIFICATION

Handle
Zinc die casting
plastic coated
black, RAL 9005, textured finish **SW**

Releasing button
Plastic
black, RAL 9005 **S**
orange, RAL 2004 **O**
grey, RAL 7035 **G**

Pin for releasing button
Stainless Steel

Version with threaded insert

Stainless Steel AISI 303

Version with threaded stud

Stainless Steel AISI 303

INFORMATION

Adjustable hand levers GN 303.1 are ideal whenever parts have to be clamped in a confined space or in a particular lever position. The centre insert is connected to the lever via serrations which can easily be dis-engaged.

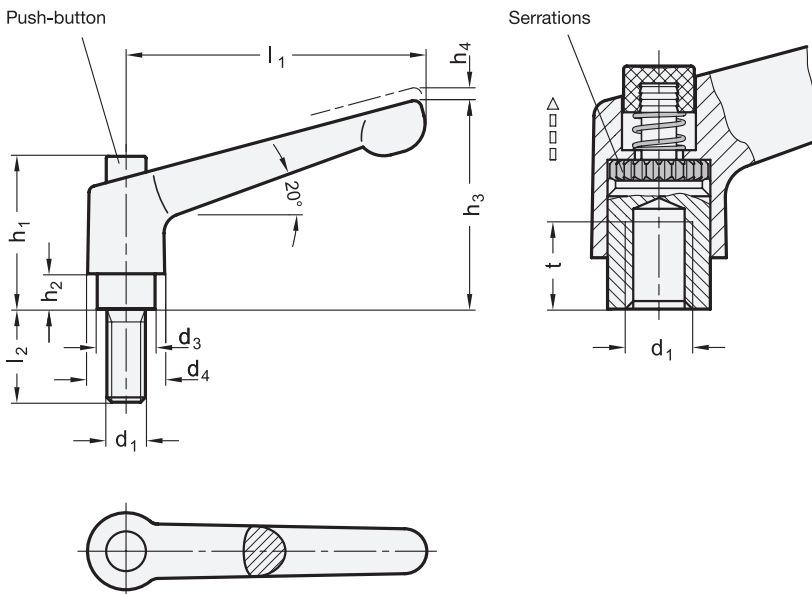
The releasing button is a design element that offers an easy disengagement. Its use is limited to applications where dismantling of the lever for installation is not required.

ON REQUEST

- Handle in colours of GN 300 (see page 320)

TECHNICAL INFORMATION

- ISO-Fundamental Tolerances (see page A21)



3

Clamping levers



* Complete with colour index of the Push button (S, O or G)



GN 303.1-with threaded insert

Description	l1	d1	d3	d4	h1	h2	h3	h4	t min.	Δ
GN 303.1-30-M3-SW-*	30	M 3	10	13	26.5	4	31	3.5	7	30
GN 303.1-30-M4-SW-*	30	M 4	10	13	26.5	4	31	3.5	8	26
GN 303.1-30-M5-SW-*	30	M 5	10	13	26.5	4	31	3.5	8	20
GN 303.1-30-M6-SW-*	30	M 6	10	13	26.5	4	31	3.5	8	20
GN 303.1-45-M4-SW-*	45	M 4	10	13	26.5	4	35	3.5	8	38
GN 303.1-45-M5-SW-*	45	M 5	10	13	26.5	4	35	3.5	8	36
GN 303.1-45-M6-SW-*	45	M 6	10	13	26.5	4	35	3.5	8	34
GN 303.1-63-M6-SW-*	63	M 6	13.5	17.5	32.5	6.5	45	4	11	80
GN 303.1-63-M8-SW-*	63	M 8	13.5	17.5	32.5	6.5	45	4	11	73
GN 303.1-78-M8-SW-*	78	M 8	16	21	37.5	8	55	4	14	120
GN 303.1-78-M10-SW-*	78	M 10	16	21	37.5	8	55	4	14	110

GN 303.1-with threaded stud

Description	l1	d1	l2	d3	d4	h1	h2	h3	h4	Δ
GN 303.1-30-M3-6-SW-*	30	M 3	6	10	13	26.5	4	31	3.5	106
GN 303.1-30-M3-8-SW-*	30	M 3	8	10	13	26.5	4	31	3.5	104
GN 303.1-30-M3-10-SW-*	30	M 3	10	10	13	26.5	4	31	3.5	102
GN 303.1-30-M3-12-SW-*	30	M 3	12	10	13	26.5	4	31	3.5	102
GN 303.1-30-M3-16-SW-*	30	M 3	16	10	13	26.5	4	31	3.5	102
GN 303.1-30-M4-12-SW-*	30	M 4	12	10	13	26.5	4	31	3.5	30
GN 303.1-30-M4-16-SW-*	30	M 4	16	10	13	26.5	4	31	3.5	28
GN 303.1-30-M4-20-SW-*	30	M 4	20	10	13	26.5	4	31	3.5	28
GN 303.1-30-M4-25-SW-*	30	M 4	25	10	13	26.5	4	31	3.5	28
GN 303.1-30-M4-32-SW-*	30	M 4	32	10	13	26.5	4	31	3.5	28
GN 303.1-30-M5-12-SW-*	30	M 5	12	10	13	26.5	4	31	3.5	30
GN 303.1-30-M5-16-SW-*	30	M 5	16	10	13	26.5	4	31	3.5	32
GN 303.1-30-M5-20-SW-*	30	M 5	20	10	13	26.5	4	31	3.5	32
GN 303.1-30-M5-25-SW-*	30	M 5	25	10	13	26.5	4	31	3.5	33
GN 303.1-30-M5-32-SW-*	30	M 5	32	10	13	26.5	4	31	3.5	33
GN 303.1-30-M5-40-SW-*	30	M 5	40	10	13	26.5	4	31	3.5	35
GN 303.1-30-M5-50-SW-*	30	M 5	50	10	13	26.5	4	31	3.5	35
GN 303.1-30-M6-12-SW-*	30	M 6	12	10	13	26.5	4	31	3.5	20
GN 303.1-30-M6-16-SW-*	30	M 6	16	10	13	26.5	4	31	3.5	30
GN 303.1-30-M6-20-SW-*	30	M 6	20	10	13	26.5	4	31	3.5	30
GN 303.1-30-M6-25-SW-*	30	M 6	25	10	13	26.5	4	31	3.5	34
GN 303.1-30-M6-32-SW-*	30	M 6	32	10	13	26.5	4	31	3.5	34
GN 303.1-30-M6-40-SW-*	30	M 6	40	10	13	26.5	4	31	3.5	37
GN 303.1-30-M6-50-SW-*	30	M 6	50	10	13	26.5	4	31	3.5	40
GN 303.1-45-M4-12-SW-*	45	M 4	12	10	13	26.5	4	35	3.5	39
GN 303.1-45-M4-16-SW-*	45	M 4	16	10	13	26.5	4	35	3.5	39
GN 303.1-45-M4-20-SW-*	45	M 4	20	10	13	26.5	4	35	3.5	39
GN 303.1-45-M4-25-SW-*	45	M 4	25	10	13	26.5	4	35	3.5	40
GN 303.1-45-M4-32-SW-*	45	M 4	32	10	13	26.5	4	35	3.5	40
GN 303.1-45-M5-12-SW-*	45	M 5	12	10	13	26.5	4	35	3.5	36
GN 303.1-45-M5-16-SW-*	45	M 5	16	10	13	26.5	4	35	3.5	40

Clamping levers 3

* Complete with colour index of the Push button (S, O or G)



GN 303.1-with threaded stud

Description	l1	d1	l2	d3	d4	h1	h2	h3	h4	⚖️
GN 303.1-45-M5-20-SW-*	45	M 5	20	10	13	26.5	4	35	3.5	40
GN 303.1-45-M5-25-SW-*	45	M 5	25	10	13	26.5	4	35	3.5	40
GN 303.1-45-M5-32-SW-*	45	M 5	32	10	13	26.5	4	35	3.5	40
GN 303.1-45-M5-40-SW-*	45	M 5	40	10	13	26.5	4	35	3.5	40
GN 303.1-45-M5-50-SW-*	45	M 5	50	10	13	26.5	4	35	3.5	40
GN 303.1-45-M6-12-SW-*	45	M 6	12	10	13	26.5	4	35	3.5	40
GN 303.1-45-M6-16-SW-*	45	M 6	16	10	13	26.5	4	35	3.5	40
GN 303.1-45-M6-20-SW-*	45	M 6	20	10	13	26.5	4	35	3.5	40
GN 303.1-45-M6-25-SW-*	45	M 6	25	10	13	26.5	4	35	3.5	40
GN 303.1-45-M6-32-SW-*	45	M 6	32	10	13	26.5	4	35	3.5	40
GN 303.1-45-M6-40-SW-*	45	M 6	40	10	13	26.5	4	35	3.5	40
GN 303.1-45-M6-50-SW-*	45	M 6	50	10	13	26.5	4	35	3.5	43
GN 303.1-63-M6-12-SW-*	63	M 6	12	13.5	17.5	32.5	6.5	45	4	83
GN 303.1-63-M6-16-SW-*	63	M 6	16	13.5	17.5	32.5	6.5	45	4	84
GN 303.1-63-M6-20-SW-*	63	M 6	20	13.5	17.5	32.5	6.5	45	4	84
GN 303.1-63-M6-25-SW-*	63	M 6	25	13.5	17.5	32.5	6.5	45	4	86
GN 303.1-63-M6-32-SW-*	63	M 6	32	13.5	17.5	32.5	6.5	45	4	87
GN 303.1-63-M6-40-SW-*	63	M 6	40	13.5	17.5	32.5	6.5	45	4	89
GN 303.1-63-M6-50-SW-*	63	M 6	50	13.5	17.5	32.5	6.5	45	4	90
GN 303.1-63-M6-63-SW-*	63	M 6	63	13.5	17.5	32.5	6.5	45	4	92
GN 303.1-63-M8-12-SW-*	63	M 8	12	13.5	17.5	32.5	6.5	45	4	80
GN 303.1-63-M8-16-SW-*	63	M 8	16	13.5	17.5	32.5	6.5	45	4	80
GN 303.1-63-M8-20-SW-*	63	M 8	20	13.5	17.5	32.5	6.5	45	4	80
GN 303.1-63-M8-25-SW-*	63	M 8	25	13.5	17.5	32.5	6.5	45	4	80
GN 303.1-63-M8-32-SW-*	63	M 8	32	13.5	17.5	32.5	6.5	45	4	80
GN 303.1-63-M8-40-SW-*	63	M 8	40	13.5	17.5	32.5	6.5	45	4	90
GN 303.1-63-M8-50-SW-*	63	M 8	50	13.5	17.5	32.5	6.5	45	4	100
GN 303.1-63-M8-63-SW-*	63	M 8	63	13.5	17.5	32.5	6.5	45	4	100
GN 303.1-63-M10-20-SW-*	63	M 10	20	13.5	17.5	32.5	6.5	45	4	90
GN 303.1-63-M10-25-SW-*	63	M 10	25	13.5	17.5	32.5	6.5	45	4	100
GN 303.1-63-M10-32-SW-*	63	M 10	32	13.5	17.5	32.5	6.5	45	4	100
GN 303.1-63-M10-40-SW-*	63	M 10	40	13.5	17.5	32.5	6.5	45	4	100
GN 303.1-63-M10-50-SW-*	63	M 10	50	13.5	17.5	32.5	6.5	45	4	110
GN 303.1-63-M10-63-SW-*	63	M 10	63	13.5	17.5	32.5	6.5	45	4	117
GN 303.1-78-M8-16-SW-*	78	M 8	16	16	21	37.5	8	55	4	140
GN 303.1-78-M8-20-SW-*	78	M 8	20	16	21	37.5	8	55	4	140
GN 303.1-78-M8-25-SW-*	78	M 8	25	16	21	37.5	8	55	4	140
GN 303.1-78-M8-32-SW-*	78	M 8	32	16	21	37.5	8	55	4	140
GN 303.1-78-M8-40-SW-*	78	M 8	40	16	21	37.5	8	55	4	140
GN 303.1-78-M8-50-SW-*	78	M 8	50	16	21	37.5	8	55	4	150
GN 303.1-78-M8-63-SW-*	78	M 8	63	16	21	37.5	8	55	4	150
GN 303.1-78-M8-80-SW-*	78	M 8	80	16	21	37.5	8	55	4	160
GN 303.1-78-M10-16-SW-*	78	M 10	16	16	21	37.5	8	55	4	128
GN 303.1-78-M10-20-SW-*	78	M 10	20	16	21	37.5	8	55	4	130
GN 303.1-78-M10-25-SW-*	78	M 10	25	16	21	37.5	8	55	4	132
GN 303.1-78-M10-32-SW-*	78	M 10	32	16	21	37.5	8	55	4	142
GN 303.1-78-M10-40-SW-*	78	M 10	40	16	21	37.5	8	55	4	140
GN 303.1-78-M10-50-SW-*	78	M 10	50	16	21	37.5	8	55	4	145
GN 303.1-78-M10-63-SW-*	78	M 10	63	16	21	37.5	8	55	4	152
GN 303.1-78-M10-80-SW-*	78	M 10	80	16	21	37.5	8	55	4	159



3

Clamping levers