

Adjustable Stainless Steel- Hand levers

matt shot-blasted

SPECIFICATION

Types

- Type **AS**: with external hexagon
- Type **IS**: with internal hexalobular

Handle

Precision casting

- Stainless Steel AISI CF-8
- matt shot-blasted

Version with threaded insert

Threaded bush

Stainless Steel AISI 303

Retaining screw

Stainless Steel AISI 303

Spring

Stainless Steel AISI 301

Version with threaded stud

Threaded stud

Stainless Steel AISI 303

Retaining screw

Stainless Steel AISI 303

Spring

Stainless Steel AISI 301

INFORMATION

Adjustable hand levers GN 300.5 with full Stainless Steel-Handle, correspond to applications where „agressive“ surrounding conditions are given, or where stainless steel materials are prescribed such as in food processing or chemical industry.

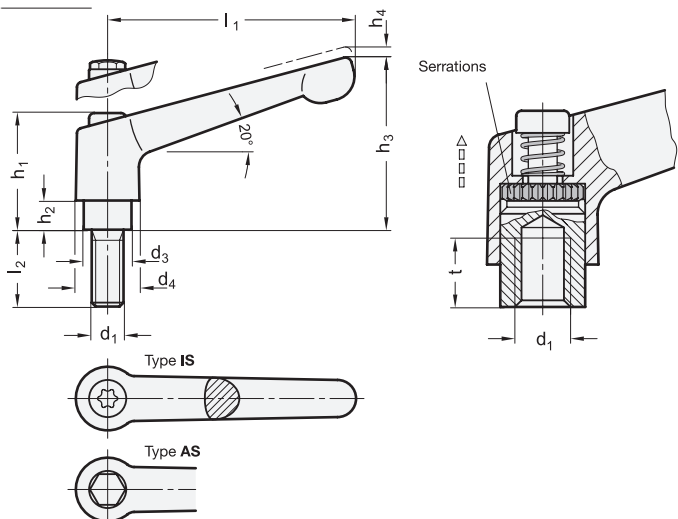
Retaining screws with hexagon head (Type AS) comply with the requirement "prevents water from accumulating".

Adjustable hand levers have proved to be ideal whenever parts have to be clamped in a confined space or in a particular lever position. The centre insert is connected to the lever via serrations which can easily be disengaged.

Pulling the lever, disengages the serrations and allowing it to be swivelled to the ideal clamping position. On releasing the lever the serrations automatically re-engage.

TECHNICAL INFORMATION

- Stainless Steel characteristics (see page A26)



3


Clamping levers

* Complete with types of the Hand levers (AS or IS)

AS	IS
External hexagon	Internal hexagon


GN 300.5-with threaded insert

STAINLESS STEEL

Description	l1	d1	d3	d4	h1	h2	h3	h4	t min.	
GN 300.5-30-M3-*	30	M 3	10	13	24.5	4	31	3.5	7	28
GN 300.5-30-M4-*	30	M 4	10	13	24.5	4	31	3.5	8	28
GN 300.5-30-M5-*	30	M 5	10	13	24.5	4	31	3.5	8	27
GN 300.5-30-M6-*	30	M 6	10	13	24.5	4	31	3.5	8	26
GN 300.5-45-M4-*	45	M 4	10	13	24.5	4	34	3.5	8	35
GN 300.5-45-M5-*	45	M 5	10	13	24.5	4	34	3.5	8	34
GN 300.5-45-M6-*	45	M 6	10	13	24.5	4	34	3.5	8	33
GN 300.5-63-M6-*	63	M 6	13.5	17.5	31	6.5	45	4	11	77
GN 300.5-63-M8-*	63	M 8	13.5	17.5	31	6.5	45	4	11	76
GN 300.5-78-M8-*	78	M 8	16	21	36	8	54	4	14	124
GN 300.5-78-M10-*	78	M 10	16	21	36	8	54	4	14	120
GN 300.5-92-M10-*	92	M 10	19	24	43	11	64	4	17	185
GN 300.5-92-M12-*	92	M 12	19	24	43	11	64	4	17	179

GN 300.5-with threaded stud

STAINLESS STEEL

Description	l1	d1	l2	d3	d4	h1	h2	h3	h4	
GN 300.5-30-M3-6-*	30	M 3	6	10	13	24.5	4	31	3.5	28
GN 300.5-30-M3-8-*	30	M 3	8	10	13	24.5	4	31	3.5	28
GN 300.5-30-M3-10-*	30	M 3	10	10	13	24.5	4	31	3.5	29
GN 300.5-30-M3-12-*	30	M 3	12	10	13	24.5	4	31	3.5	30
GN 300.5-30-M3-16-*	30	M 3	16	10	13	24.5	4	31	3.5	31
GN 300.5-30-M4-12-*	30	M 4	12	10	13	24.5	4	31	3.5	29
GN 300.5-30-M4-16-*	30	M 4	16	10	13	24.5	4	31	3.5	30
GN 300.5-30-M4-20-*	30	M 4	20	10	13	24.5	4	31	3.5	30
GN 300.5-30-M4-25-*	30	M 4	25	10	13	24.5	4	31	3.5	32
GN 300.5-30-M4-32-*	30	M 4	32	10	13	24.5	4	31	3.5	30
GN 300.5-30-M5-12-*	30	M 5	12	10	13	24.5	4	31	3.5	30
GN 300.5-30-M5-16-*	30	M 5	16	10	13	24.5	4	31	3.5	30
GN 300.5-30-M5-20-*	30	M 5	20	10	13	24.5	4	31	3.5	31
GN 300.5-30-M5-25-*	30	M 5	25	10	13	24.5	4	31	3.5	31
GN 300.5-30-M5-32-*	30	M 5	32	10	13	24.5	4	31	3.5	32
GN 300.5-30-M5-40-*	30	M 5	40	10	13	24.5	4	31	3.5	33
GN 300.5-30-M5-50-*	30	M 5	50	10	13	24.5	4	31	3.5	34
GN 300.5-30-M6-12-*	30	M 6	12	10	13	24.5	4	31	3.5	30
GN 300.5-30-M6-16-*	30	M 6	16	10	13	24.5	4	31	3.5	31
GN 300.5-30-M6-20-*	30	M 6	20	10	13	24.5	4	31	3.5	32
GN 300.5-30-M6-25-*	30	M 6	25	10	13	24.5	4	31	3.5	33
GN 300.5-30-M6-32-*	30	M 6	32	10	13	24.5	4	31	3.5	34
GN 300.5-30-M6-40-*	30	M 6	40	10	13	24.5	4	31	3.5	35
GN 300.5-30-M6-50-*	30	M 6	50	10	13	24.5	4	31	3.5	36
GN 300.5-45-M4-12-*	45	M 4	12	10	13	24.5	4	34	3.5	35
GN 300.5-45-M4-16-*	45	M 4	16	10	13	24.5	4	34	3.5	36
GN 300.5-45-M4-20-*	45	M 4	20	10	13	24.5	4	34	3.5	37
GN 300.5-45-M4-25-*	45	M 4	25	10	13	24.5	4	34	3.5	38
GN 300.5-45-M4-32-*	45	M 4	32	10	13	24.5	4	34	3.5	39
GN 300.5-45-M5-12-*	45	M 5	12	10	13	24.5	4	34	3.5	39
GN 300.5-45-M5-16-*	45	M 5	16	10	13	24.5	4	34	3.5	40
GN 300.5-45-M5-20-*	45	M 5	20	10	13	24.5	4	34	3.5	40
GN 300.5-45-M5-25-*	45	M 5	25	10	13	24.5	4	34	3.5	40

Weight type AS

*Complete with types of the Hand levers (AS or IS)

AS External hexagon **IS** Internal hexagon

GN 300.5-with threaded stud

STAINLESS STEEL

Description	l1	d1	l2	d3	d4	h1	h2	h3	h4	⚖
GN 300.5-45-M5-32-*	45	M 5	32	10	13	24.5	4	34	3.5	39
GN 300.5-45-M5-40-*	45	M 5	40	10	13	24.5	4	34	3.5	40
GN 300.5-45-M5-50-*	45	M 5	50	10	13	24.5	4	34	3.5	44
GN 300.5-45-M6-12-*	45	M 6	12	10	13	24.5	4	34	3.5	37
GN 300.5-45-M6-16-*	45	M 6	16	10	13	24.5	4	34	3.5	38
GN 300.5-45-M6-20-*	45	M 6	20	10	13	24.5	4	34	3.5	39
GN 300.5-45-M6-25-*	45	M 6	25	10	13	24.5	4	34	3.5	40
GN 300.5-45-M6-32-*	45	M 6	32	10	13	24.5	4	34	3.5	41
GN 300.5-45-M6-40-*	45	M 6	40	10	13	24.5	4	34	3.5	42
GN 300.5-45-M6-50-*	45	M 6	50	10	13	24.5	4	34	3.5	44
GN 300.5-63-M6-16-*	63	M 6	16	13.5	17.5	31	6.5	45	4	81
GN 300.5-63-M6-20-*	63	M 6	20	13.5	17.5	31	6.5	45	4	82
GN 300.5-63-M6-25-*	63	M 6	25	13.5	17.5	31	6.5	45	4	83
GN 300.5-63-M6-32-*	63	M 6	32	13.5	17.5	31	6.5	45	4	84
GN 300.5-63-M6-40-*	63	M 6	40	13.5	17.5	31	6.5	45	4	86
GN 300.5-63-M6-50-*	63	M 6	50	13.5	17.5	31	6.5	45	4	88
GN 300.5-63-M6-63-*	63	M 6	63	13.5	17.5	31	6.5	45	4	90
GN 300.5-63-M8-16-*	63	M 8	16	13.5	17.5	31	6.5	45	4	85
GN 300.5-63-M8-20-*	63	M 8	20	13.5	17.5	31	6.5	45	4	86
GN 300.5-63-M8-25-*	63	M 8	25	13.5	17.5	31	6.5	45	4	88
GN 300.5-63-M8-32-*	63	M 8	32	13.5	17.5	31	6.5	45	4	90
GN 300.5-63-M8-40-*	63	M 8	40	13.5	17.5	31	6.5	45	4	92
GN 300.5-63-M8-50-*	63	M 8	50	13.5	17.5	31	6.5	45	4	95
GN 300.5-63-M8-63-*	63	M 8	63	13.5	17.5	31	6.5	45	4	100
GN 300.5-78-M8-20-*	78	M 8	20	16	21	36	8	54	4	138
GN 300.5-78-M8-25-*	78	M 8	25	16	21	36	8	54	4	139
GN 300.5-78-M8-32-*	78	M 8	32	16	21	36	8	54	4	140
GN 300.5-78-M8-40-*	78	M 8	40	16	21	36	8	54	4	141
GN 300.5-78-M8-50-*	78	M 8	50	16	21	36	8	54	4	144
GN 300.5-78-M8-63-*	78	M 8	63	16	21	36	8	54	4	149
GN 300.5-78-M8-80-*	78	M 8	80	16	21	36	8	54	4	158
GN 300.5-78-M10-20-*	78	M 10	20	16	21	36	8	54	4	140
GN 300.5-78-M10-25-*	78	M 10	25	16	21	36	8	54	4	141
GN 300.5-78-M10-32-*	78	M 10	32	16	21	36	8	54	4	143
GN 300.5-78-M10-40-*	78	M 10	40	16	21	36	8	54	4	150
GN 300.5-78-M10-50-*	78	M 10	50	16	21	36	8	54	4	155
GN 300.5-78-M10-63-*	78	M 10	63	16	21	36	8	54	4	162
GN 300.5-78-M10-80-*	78	M 10	80	16	21	36	8	54	4	167
GN 300.5-92-M10-20-*	92	M 10	20	19	24	43	11	64	4	203
GN 300.5-92-M10-25-*	92	M 10	25	19	24	43	11	64	4	206
GN 300.5-92-M10-32-*	92	M 10	32	19	24	43	11	64	4	210
GN 300.5-92-M10-40-*	92	M 10	40	19	24	43	11	64	4	214
GN 300.5-92-M10-50-*	92	M 10	50	19	24	43	11	64	4	220
GN 300.5-92-M10-63-*	92	M 10	63	19	24	43	11	64	4	226
GN 300.5-92-M10-80-*	92	M 10	80	19	24	43	11	64	4	230
GN 300.5-92-M12-20-*	92	M 12	20	19	24	43	11	64	4	210
GN 300.5-92-M12-25-*	92	M 12	25	19	24	43	11	64	4	216
GN 300.5-92-M12-32-*	92	M 12	32	19	24	43	11	64	4	221
GN 300.5-92-M12-40-*	92	M 12	40	19	24	43	11	64	4	223
GN 300.5-92-M12-50-*	92	M 12	50	19	24	43	11	64	4	234
GN 300.5-92-M12-63-*	92	M 12	63	19	24	43	11	64	4	243
GN 300.5-92-M12-80-*	92	M 12	80	19	24	43	11	64	4	251

Weight type AS



Clamping levers