

Leveling Feet

with Rubber Pad

SPECIFICATION

Type (Base)

- Type **A1**: Steel, zinc plated, rubber inlaid, black
- Type **A2**: Steel, zinc plated, rubber inlaid, white
- Type **A5**: Steel, plastic coated black, rubber inlaid, black

Version (Screw)

- Version **S**: Without nut, external hex at the bottom
- Version **SK**: With nut, external hex at the bottom
- Version **U**: Without nut, hex socket at the top and wrench flat at the bottom
- Version **UK**: With nut, hex socket at the top and wrench flat at the bottom
- Version **X**: External hex with Internal Thread

Base plate, steel sheet metal

Type A1, A2:

Steel, zinc plated, blue passivated

Type A5:

Steel, powder coated

Black, RAL 9005

Threaded stem

Steel, zinc plated, blue passivated

Hex nut ISO 4032

Steel, zinc plated, blue passivated

Rubber pad, inlaid

- Black: NBR (Perbunan®) 80±5 Shore A

- White: TPE (Santoprene®) 80±5 Shore A

INFORMATION

Leveling feet GN 30 will be delivered mounted and are not removable.

TECHNICAL INFORMATION

- Elastomer characteristics (see page A32)

LOAD RATING OF LEVELING FEET

Information

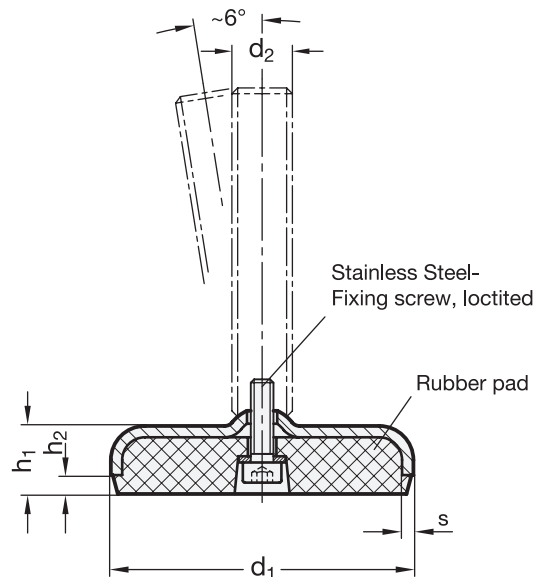
The static load bearing capacity given in the table rests on a test series in which the load has been applied perpendicular to the base plate. For the values given in the table, the strain relief may result in minor deformations of the base plate.

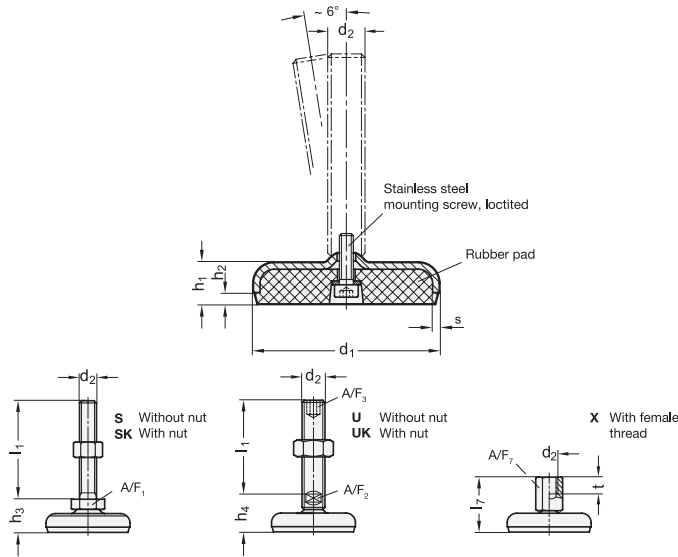
Bending and buckling stress which often occurs in practice results in a lower load bearing capacity of the adjustment spindle and may have to be taken into account.

Also, the spindle strength is assumed to be $\geq 500 \text{ N/mm}^2$.

The details given on strength are nonbinding guide values without any liability. In general, they do not constitute a warranty of quality.

The user must determine from case to case if a product is suitable for the intended purpose or use. Environmental factors may influence the stated values.





* Complete with version of the Leveling feet
(External hex at the bottom)

S without nut
SK with nut

GN 30-S/SK

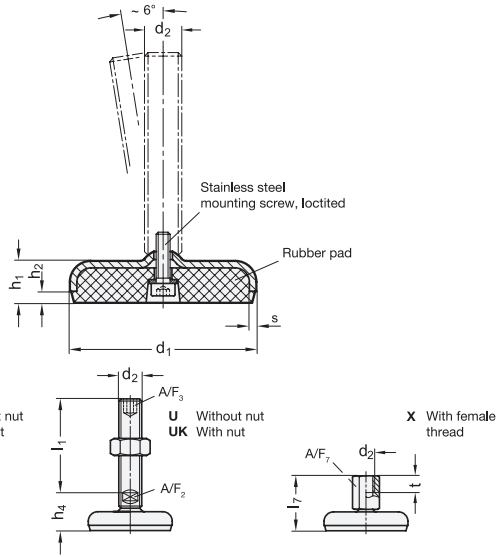
Description	d1	d2	l1	h1	h2	h3	s	A/F ₁	Static load in kN	⚖️
GN 30-50-M8-40-A1-*	50	M 8	40	14.5	3.5	23	3	17	8	108
GN 30-50-M8-40-A2-*	50	M 8	40	14.5	3.5	23	3	17	8	108
GN 30-50-M8-40-A5-*	50	M 8	40	14.5	3.5	23	3	17	8	106
GN 30-50-M8-50-A1-*	50	M 8	50	14.5	3.5	23	3	17	8	110
GN 30-50-M8-50-A2-*	50	M 8	50	14.5	3.5	23	3	17	8	110
GN 30-50-M8-50-A5-*	50	M 8	50	14.5	3.5	23	3	17	8	108
GN 30-50-M8-63-A1-*	50	M 8	63	14.5	3.5	23	3	17	8	114
GN 30-50-M8-63-A2-*	50	M 8	63	14.5	3.5	23	3	17	8	114
GN 30-50-M8-63-A5-*	50	M 8	63	14.5	3.5	23	3	17	8	112
GN 30-50-M10-50-A1-*	50	M 10	50	14.5	3.5	23	3	17	10	157
GN 30-50-M10-50-A2-*	50	M 10	50	14.5	3.5	23	3	17	10	157
GN 30-50-M10-50-A5-*	50	M 10	50	14.5	3.5	23	3	17	10	155
GN 30-50-M10-60-A1-*	50	M 10	60	14.5	3.5	23	3	17	10	174
GN 30-50-M10-60-A2-*	50	M 10	60	14.5	3.5	23	3	17	10	174
GN 30-50-M10-60-A5-*	50	M 10	60	14.5	3.5	23	3	17	10	172
GN 30-50-M10-80-A1-*	50	M 10	80	14.5	3.5	23	3	17	10	135
GN 30-50-M10-80-A2-*	50	M 10	80	14.5	3.5	23	3	17	10	135
GN 30-50-M10-80-A5-*	50	M 10	80	14.5	3.5	23	3	17	10	132
GN 30-50-M10-100-A1-*	50	M 10	100	14.5	3.5	23	3	17	10	193
GN 30-50-M10-100-A2-*	50	M 10	100	14.5	3.5	23	3	17	10	193
GN 30-50-M10-100-A5-*	50	M 10	100	14.5	3.5	23	3	17	10	191
GN 30-50-M12-60-A1-*	50	M 12	60	14.5	3.5	23	3	17	12	186
GN 30-50-M12-60-A2-*	50	M 12	60	14.5	3.5	23	3	17	12	186
GN 30-50-M12-60-A5-*	50	M 12	60	14.5	3.5	23	3	17	12	184
GN 30-50-M12-80-A1-*	50	M 12	80	14.5	3.5	23	3	17	12	201
GN 30-50-M12-80-A2-*	50	M 12	80	14.5	3.5	23	3	17	12	201
GN 30-50-M12-80-A5-*	50	M 12	80	14.5	3.5	23	3	17	12	199
GN 30-50-M12-100-A1-*	50	M 12	100	14.5	3.5	23	3	17	12	215
GN 30-50-M12-100-A2-*	50	M 12	100	14.5	3.5	23	3	17	12	215
GN 30-50-M12-100-A5-*	50	M 12	100	14.5	3.5	23	3	17	12	213
GN 30-50-M12-125-A1-*	50	M 12	125	14.5	3.5	23	3	17	12	237
GN 30-50-M12-125-A2-*	50	M 12	125	14.5	3.5	23	3	17	12	237

GN 30-S/SK

Description	d1	d2	l1	h1	h2	h3	s	A/F ₁	Static load in kN	⚖️
GN 30-60-M12-125-A5-*	60	M 12	125	14.5	3.5	23	3	17	12	235
GN 30-60-M8-40-A1-*	60	M 8	40	16	4	24	3	17	8	266
GN 30-60-M8-40-A2-*	60	M 8	40	16	4	24	3	17	8	266
GN 30-60-M8-40-A5-*	60	M 8	40	16	4	24	3	17	8	264
GN 30-60-M8-50-A1-*	60	M 8	50	16	4	24	3	17	8	269
GN 30-60-M8-50-A2-*	60	M 8	50	16	4	24	3	17	8	269
GN 30-60-M8-50-A5-*	60	M 8	50	16	4	24	3	17	8	267
GN 30-60-M8-63-A1-*	60	M 8	63	16	4	24	3	17	8	273
GN 30-60-M8-63-A2-*	60	M 8	63	16	4	24	3	17	8	273
GN 30-60-M8-63-A5-*	60	M 8	63	16	4	24	3	17	8	271
GN 30-60-M10-50-A1-*	60	M 10	50	16	4	24	3	17	10	160
GN 30-60-M10-50-A2-*	60	M 10	50	16	4	24	3	17	10	160
GN 30-60-M10-50-A5-*	60	M 10	50	16	4	24	3	17	10	158
GN 30-60-M10-60-A1-*	60	M 10	60	16	4	24	3	17	10	225
GN 30-60-M10-60-A2-*	60	M 10	60	16	4	24	3	17	10	225
GN 30-60-M10-60-A5-*	60	M 10	60	16	4	24	3	17	10	223
GN 30-60-M10-80-A1-*	60	M 10	80	16	4	24	3	17	10	234
GN 30-60-M10-80-A2-*	60	M 10	80	16	4	24	3	17	10	234
GN 30-60-M10-80-A5-*	60	M 10	80	16	4	24	3	17	10	232
GN 30-60-M10-100-A1-*	60	M 10	100	16	4	24	3	17	10	244
GN 30-60-M10-100-A2-*	60	M 10	100	16	4	24	3	17	10	244
GN 30-60-M10-100-A5-*	60	M 10	100	16	4	24	3	17	10	242
GN 30-60-M12-60-A1-*	60	M 12	60	16	4	24	3	17	10	237
GN 30-60-M12-60-A2-*	60	M 12	60	16	4	24	3	17	12	237
GN 30-60-M12-60-A5-*	60	M 12	60	16	4	24	3	17	12	235
GN 30-60-M12-80-A1-*	60	M 12	80	16	4	24	3	17	12	252
GN 30-60-M12-80-A2-*	60	M 12	80	16	4	24	3	17	12	252
GN 30-60-M12-80-A5-*	60	M 12	80	16	4	24	3	17	12	250
GN 30-60-M12-100-A1-*	60	M 12	100	16	4	24	3	17	12	211
GN 30-60-M12-100-A2-*	60	M 12	100	16	4	24	3	17	12	211
GN 30-60-M12-100-A5-*	60	M 12	100	16	4	24	3	17	12	209
GN 30-60-M12-125-A1-*	60	M 12	125	16	4	24	3	17	12	288

Weight Version S





* Complete with version of the Leveling feet
(External hex at the bottom)

S without nut **SK** with nut

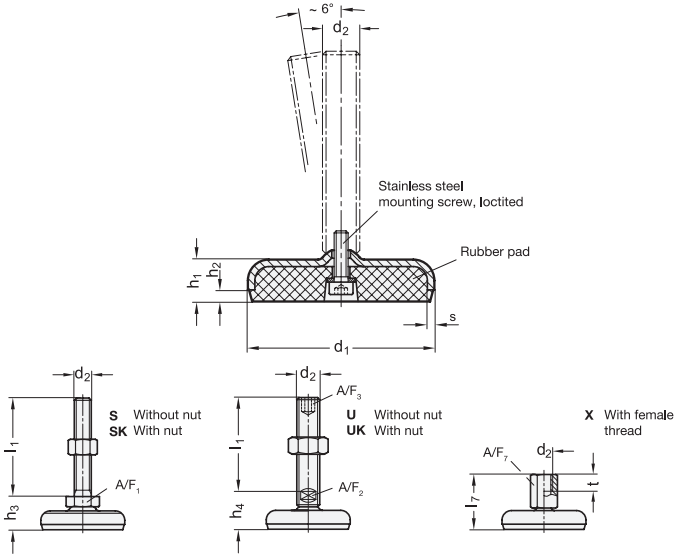
GN 30-S/SK

Description	d1	d2	l1	h1	h2	h3	s	A/F ₁	Static load in kN	⚖️
GN 30-60-M12-125-A2-*	60	M 12	125	16	4	24	3	17	12	288
GN 30-60-M12-125-A5-*	60	M 12	125	16	4	24	3	17	12	286
GN 30-80-M8-40-A1-*	80	M 8	40	18	5	26	3	17	8	260
GN 30-80-M8-40-A2-*	80	M 8	40	18	5	26	3	17	8	260
GN 30-80-M8-40-A5-*	80	M 8	40	18	5	26	3	17	8	258
GN 30-80-M8-50-A1-*	80	M 8	50	18	5	26	3	17	8	263
GN 30-80-M8-50-A2-*	80	M 8	50	18	5	26	3	17	8	263
GN 30-80-M8-50-A5-*	80	M 8	50	18	5	26	3	17	8	261
GN 30-80-M8-63-A1-*	80	M 8	63	18	5	26	3	17	8	224
GN 30-80-M8-63-A2-*	80	M 8	63	18	5	26	3	17	8	224
GN 30-80-M8-63-A5-*	80	M 8	63	18	5	26	3	17	8	222
GN 30-80-M10-50-A1-*	80	M 10	50	18	5	26	3	17	10	281
GN 30-80-M10-50-A2-*	80	M 10	50	18	5	26	3	17	10	281
GN 30-80-M10-50-A5-*	80	M 10	50	18	5	26	3	17	10	279
GN 30-80-M10-60-A1-*	80	M 10	60	18	5	26	3	17	10	298
GN 30-80-M10-60-A2-*	80	M 10	60	18	5	26	3	17	10	298
GN 30-80-M10-60-A5-*	80	M 10	60	18	5	26	3	17	10	296
GN 30-80-M10-80-A1-*	80	M 10	80	18	5	26	3	17	10	307
GN 30-80-M10-80-A2-*	80	M 10	80	18	5	26	3	17	10	307
GN 30-80-M10-80-A5-*	80	M 10	80	18	5	26	3	17	10	305
GN 30-80-M10-100-A1-*	80	M 10	100	18	5	26	3	17	10	317
GN 30-80-M10-100-A2-*	80	M 10	100	18	5	26	3	17	10	317
GN 30-80-M10-100-A5-*	80	M 10	100	18	5	26	3	17	10	315
GN 30-80-M12-60-A1-*	80	M 12	60	18	5	26	3	17	12	310
GN 30-80-M12-60-A2-*	80	M 12	60	18	5	26	3	17	12	310
GN 30-80-M12-60-A5-*	80	M 12	60	18	5	26	3	17	12	308
GN 30-80-M12-80-A1-*	80	M 12	80	18	5	26	3	17	12	325
GN 30-80-M12-80-A2-*	80	M 12	80	18	5	26	3	17	12	325
GN 30-80-M12-80-A5-*	80	M 12	80	18	5	26	3	17	12	323
GN 30-80-M12-100-A1-*	80	M 12	100	18	5	26	3	17	12	339
GN 30-80-M12-100-A2-*	80	M 12	100	18	5	26	3	17	12	339
GN 30-80-M12-100-A5-*	80	M 12	100	18	5	26	3	17	12	337
GN 30-80-M12-125-A1-*	80	M 12	125	18	5	26	3	17	12	361
GN 30-80-M12-125-A2-*	80	M 12	125	18	5	26	3	17	12	361
GN 30-80-M12-125-A5-*	80	M 12	125	18	5	26	3	17	12	359

GN 30-S/SK

Description	d1	d2	l1	h1	h2	h3	s	A/F ₁	Static load in kN	⚖️
GN 30-100-M8-40-A1-*	100	M 8	40	20	6	28	3	17	8	392
GN 30-100-M8-40-A2-*	100	M 8	40	20	6	28	3	17	8	392
GN 30-100-M8-40-A5-*	100	M 8	40	20	6	28	3	17	8	390
GN 30-100-M8-50-A1-*	100	M 8	50	20	6	28	3	17	8	395
GN 30-100-M8-50-A2-*	100	M 8	50	20	6	28	3	17	8	395
GN 30-100-M8-50-A5-*	100	M 8	50	20	6	28	3	17	8	393
GN 30-100-M8-63-A1-*	100	M 8	63	20	6	28	3	17	8	399
GN 30-100-M8-63-A2-*	100	M 8	63	20	6	28	3	17	8	399
GN 30-100-M8-63-A5-*	100	M 8	63	20	6	28	3	17	8	397
GN 30-100-M10-50-A1-*	100	M 10	50	20	6	28	3	17	10	413
GN 30-100-M10-50-A2-*	100	M 10	50	20	6	28	3	17	10	413
GN 30-100-M10-50-A5-*	100	M 10	50	20	6	28	3	17	10	411
GN 30-100-M10-60-A1-*	100	M 10	60	20	6	28	3	17	10	430
GN 30-100-M10-60-A2-*	100	M 10	60	20	6	28	3	17	10	430
GN 30-100-M10-60-A5-*	100	M 10	60	20	6	28	3	17	10	428
GN 30-100-M10-80-A1-*	100	M 10	80	20	6	28	3	17	10	439
GN 30-100-M10-80-A2-*	100	M 10	80	20	6	28	3	17	10	439
GN 30-100-M10-80-A5-*	100	M 10	80	20	6	28	3	17	10	437
GN 30-100-M10-100-A1-*	100	M 10	100	20	6	28	3	17	10	449
GN 30-100-M10-100-A2-*	100	M 10	100	20	6	28	3	17	10	449
GN 30-100-M10-100-A5-*	100	M 10	100	20	6	28	3	17	10	447
GN 30-100-M12-60-A1-*	100	M 12	60	20	6	28	3	17	11	442
GN 30-100-M12-60-A2-*	100	M 12	60	20	6	28	3	17	10	442
GN 30-100-M12-60-A5-*	100	M 12	60	20	6	28	3	17	11	440
GN 30-100-M12-80-A1-*	100	M 12	80	20	6	28	3	17	11	457
GN 30-100-M12-80-A2-*	100	M 12	80	20	6	28	3	17	10	457
GN 30-100-M12-80-A5-*	100	M 12	80	20	6	28	3	17	10	455
GN 30-100-M12-100-A1-*	100	M 12	100	20	6	28	3	17	11	471
GN 30-100-M12-100-A2-*	100	M 12	100	20	6	28	3	17	10	471
GN 30-100-M12-100-A5-*	100	M 12	100	20	6	28	3	17	11	469
GN 30-100-M12-125-A1-*	100	M 12	125	20	6	28	3	17	11	493
GN 30-100-M12-125-A2-*	100	M 12	125	20	6	28	3	17	10	493
GN 30-100-M12-125-A5-*	100	M 12	125	20	6	28	3	17	11	491

Weight Version S



* Complete with version of the Leveling feet
(Hex socket at the top / Wrench at the bottom)

U without nut
UK with nut

GN 30-U/UK

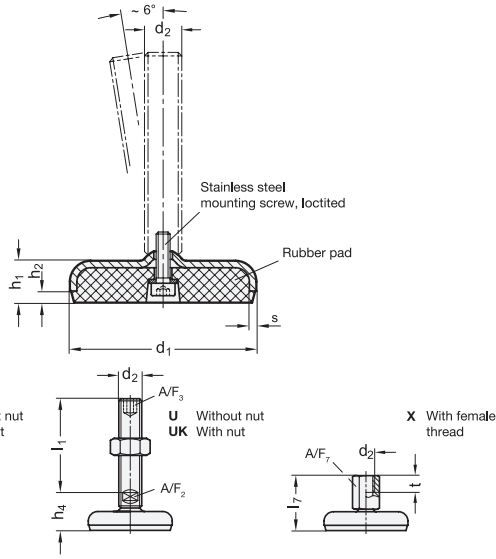
Description	d1	d2	l1	h1	h2	h4	s	A/F ₂	A/F ₃	Static load in kN	
GN 30-50-M16-75-A1-*	50	M 16	75	14.5	3.5	29	3	12	8	16	180
GN 30-50-M16-75-A2-*	50	M 16	75	14.5	3.5	29	3	12	8	13	180
GN 30-50-M16-75-A5-*	50	M 16	75	14.5	3.5	29	3	12	8	16	178
GN 30-50-M16-100-A1-*	50	M 16	100	14.5	3.5	29	3	12	8	16	222
GN 30-50-M16-100-A2-*	50	M 16	100	14.5	3.5	29	3	12	8	13	222
GN 30-50-M16-100-A5-*	50	M 16	100	14.5	3.5	29	3	12	8	16	220
GN 30-50-M16-125-A1-*	50	M 16	125	14.5	3.5	29	3	12	8	16	256
GN 30-50-M16-125-A2-*	50	M 16	125	14.5	3.5	29	3	12	8	13	256
GN 30-50-M16-125-A5-*	50	M 16	125	14.5	3.5	29	3	12	8	16	254
GN 30-50-M16-150-A1-*	50	M 16	150	14.5	3.5	29	3	12	8	16	335
GN 30-50-M16-150-A2-*	50	M 16	150	14.5	3.5	29	3	12	8	13	335
GN 30-50-M16-150-A5-*	50	M 16	150	14.5	3.5	29	3	12	8	16	333
GN 30-50-M16-200-A1-*	50	M 16	200	14.5	3.5	29	3	12	8	16	395
GN 30-50-M16-200-A2-*	50	M 16	200	14.5	3.5	29	3	12	8	13	395
GN 30-50-M16-200-A5-*	50	M 16	200	14.5	3.5	29	3	12	8	16	393
GN 30-50-M16-250-A1-*	50	M 16	250	14.5	3.5	29	3	12	8	16	713
GN 30-50-M16-250-A2-*	50	M 16	250	14.5	3.5	29	3	12	8	13	713
GN 30-50-M16-250-A5-*	50	M 16	250	14.5	3.5	29	3	12	8	16	711
GN 30-60-M16-75-A1-*	60	M 16	75	16	4	30	3	12	8	16	235
GN 30-60-M16-75-A2-*	60	M 16	75	16	4	30	3	12	8	13	235
GN 30-60-M16-75-A5-*	60	M 16	75	16	4	30	3	12	8	16	233
GN 30-60-M16-100-A1-*	60	M 16	100	16	4	30	3	12	8	16	267
GN 30-60-M16-100-A2-*	60	M 16	100	16	4	30	3	12	8	13	267
GN 30-60-M16-100-A5-*	60	M 16	100	16	4	30	3	12	8	16	265
GN 30-60-M16-125-A1-*	60	M 16	125	16	4	30	3	12	8	16	354
GN 30-60-M16-125-A2-*	60	M 16	125	16	4	30	3	12	8	13	354
GN 30-60-M16-125-A5-*	60	M 16	125	16	4	30	3	12	8	16	352
GN 30-60-M16-150-A1-*	60	M 16	150	16	4	30	3	12	8	16	346
GN 30-60-M16-150-A2-*	60	M 16	150	16	4	30	3	12	8	13	346
GN 30-60-M16-150-A5-*	60	M 16	150	16	4	30	3	12	8	16	344
GN 30-60-M16-200-A1-*	60	M 16	200	16	4	30	3	12	8	16	446
GN 30-60-M16-200-A2-*	60	M 16	200	16	4	30	3	12	8	13	446
GN 30-60-M16-200-A5-*	60	M 16	200	16	4	30	3	12	8	16	444

GN 30-U/UK

Description	d1	d2	l1	h1	h2	h4	s	A/F ₂	A/F ₃	Static load in kN	
GN 30-60-M16-250-A1-*	60	M 16	250	16	4	30	3	12	8	16	764
GN 30-60-M16-250-A2-*	60	M 16	250	16	4	30	3	12	8	13	764
GN 30-60-M16-250-A5-*	60	M 16	250	16	4	30	3	12	8	16	762
GN 30-80-M16-75-A1-*	80	M 16	75	18	5	32	3	12	8	12	361
GN 30-80-M16-75-A2-*	80	M 16	75	18	5	32	3	12	8	11	361
GN 30-80-M16-75-A5-*	80	M 16	75	18	5	32	3	12	8	12	359
GN 30-80-M16-100-A1-*	80	M 16	100	18	5	32	3	12	8	12	393
GN 30-80-M16-100-A2-*	80	M 16	100	18	5	32	3	12	8	11	393
GN 30-80-M16-100-A5-*	80	M 16	100	18	5	32	3	12	8	12	391
GN 30-80-M16-125-A1-*	80	M 16	125	18	5	32	3	12	8	12	425
GN 30-80-M16-125-A2-*	80	M 16	125	18	5	32	3	12	8	11	425
GN 30-80-M16-125-A5-*	80	M 16	125	18	5	32	3	12	8	12	422
GN 30-80-M16-150-A1-*	80	M 16	150	18	5	32	3	12	8	12	457
GN 30-80-M16-150-A2-*	80	M 16	150	18	5	32	3	12	8	11	457
GN 30-80-M16-150-A5-*	80	M 16	150	18	5	32	3	12	8	12	455
GN 30-80-M16-200-A1-*	80	M 16	200	18	5	32	3	12	8	12	517
GN 30-80-M16-200-A2-*	80	M 16	200	18	5	32	3	12	8	11	517
GN 30-80-M16-200-A5-*	80	M 16	200	18	5	32	3	12	8	12	515
GN 30-80-M16-250-A1-*	80	M 16	250	18	5	32	3	12	8	12	835
GN 30-80-M16-250-A2-*	80	M 16	250	18	5	32	3	12	8	11	835
GN 30-80-M16-250-A5-*	80	M 16	250	18	5	32	3	12	8	12	833
GN 30-80-M20-75-A1-*	80	M 20	75	18	5	33	3	15	10	12	515
GN 30-80-M20-75-A2-*	80	M 20	75	18	5	33	3	15	10	11	515
GN 30-80-M20-75-A5-*	80	M 20	75	18	5	33	3	15	10	12	513
GN 30-80-M20-100-A1-*	80	M 20	100	18	5	33	3	15	10	12	565
GN 30-80-M20-100-A2-*	80	M 20	100	18	5	33	3	15	10	11	565
GN 30-80-M20-100-A5-*	80	M 20	100	18	5	33	3	15	10	12	563
GN 30-80-M20-125-A1-*	80	M 20	125	18	5	33	3	15	10	12	615
GN 30-80-M20-125-A2-*	80	M 20	125	18	5	33	3	15	10	11	615

Weight Version U





* Complete with version of the Leveling feet
(Hex socket at the top / Wrench at the bottom)

U without nut **UK** with nut

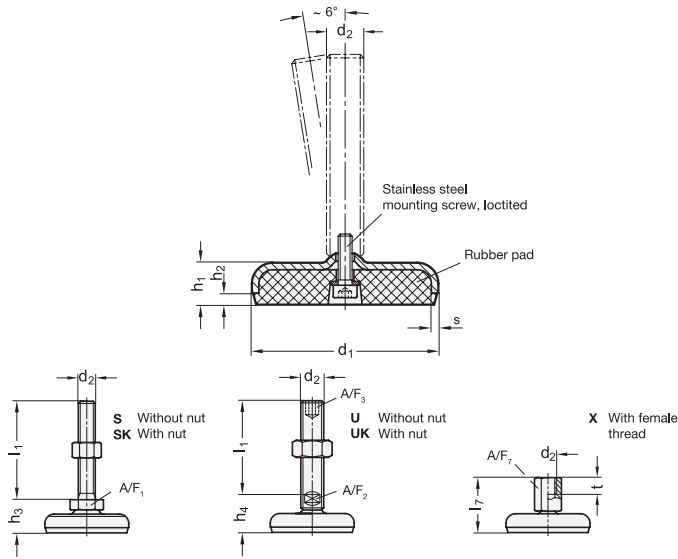
GN 30-U/UK

Description	d1	d2	l1	h1	h2	h4	s	A/F ₂	A/F ₃	Static load in kN	⚖️
GN 30-80-M20-125-A5-*	80	M 20	125	18	5	33	3	15	10	12	613
GN 30-80-M20-150-A1-*	80	M 20	150	18	5	33	3	15	10	12	500
GN 30-80-M20-150-A2-*	80	M 20	150	18	5	33	3	15	10	11	500
GN 30-80-M20-150-A5-*	80	M 20	150	18	5	33	3	15	10	12	498
GN 30-80-M20-200-A1-*	80	M 20	200	18	5	33	3	15	10	12	660
GN 30-80-M20-200-A2-*	80	M 20	200	18	5	33	3	15	10	11	660
GN 30-80-M20-200-A5-*	80	M 20	200	18	5	33	3	15	10	12	658
GN 30-80-M20-250-A1-*	80	M 20	250	18	5	33	3	15	10	12	1154
GN 30-80-M20-250-A2-*	80	M 20	250	18	5	33	3	15	10	11	1154
GN 30-80-M20-250-A5-*	80	M 20	250	18	5	33	3	15	10	12	1152
GN 30-80-M24-100-A1-*	80	M 24	100	18	5	36	3	19	12	12	649
GN 30-80-M24-100-A2-*	80	M 24	100	18	5	36	3	19	12	11	649
GN 30-80-M24-100-A5-*	80	M 24	100	18	5	36	3	19	12	12	647
GN 30-80-M24-125-A1-*	80	M 24	125	18	5	36	3	19	12	12	721
GN 30-80-M24-125-A2-*	80	M 24	125	18	5	36	3	19	12	11	721
GN 30-80-M24-125-A5-*	80	M 24	125	18	5	36	3	19	12	12	719
GN 30-80-M24-150-A1-*	80	M 24	150	18	5	36	3	19	12	12	793
GN 30-80-M24-150-A2-*	80	M 24	150	18	5	36	3	19	12	11	793
GN 30-80-M24-150-A5-*	80	M 24	150	18	5	36	3	19	12	12	791
GN 30-80-M24-200-A1-*	80	M 24	200	18	5	36	3	19	12	12	931
GN 30-80-M24-200-A2-*	80	M 24	200	18	5	36	3	19	12	11	931
GN 30-80-M24-200-A5-*	80	M 24	200	18	5	36	3	19	12	12	929
GN 30-80-M24-300-A1-*	80	M 24	300	18	5	36	3	19	12	12	1806
GN 30-80-M24-300-A2-*	80	M 24	300	18	5	36	3	19	12	11	1806
GN 30-80-M24-300-A5-*	80	M 24	300	18	5	36	3	19	12	12	1804
GN 30-100-M16-75-A1-*	100	M 16	75	20	6	34	3	12	8	11	493
GN 30-100-M16-75-A2-*	100	M 16	75	20	6	34	3	12	8	10	493
GN 30-100-M16-75-A5-*	100	M 16	75	20	6	34	3	12	8	11	491
GN 30-100-M16-100-A1-*	100	M 16	100	20	6	34	3	12	8	11	525
GN 30-100-M16-100-A2-*	100	M 16	100	20	6	34	3	12	8	10	525
GN 30-100-M16-100-A5-*	100	M 16	100	20	6	34	3	12	8	11	522

GN 30-U/UK

Description	d1	d2	l1	h1	h2	h4	s	A/F ₂	A/F ₃	Static load in kN	⚖️
GN 30-100-M16-125-A1-*	100	M 16	125	20	6	34	3	12	8	11	557
GN 30-100-M16-125-A2-*	100	M 16	125	20	6	34	3	12	8	10	557
GN 30-100-M16-125-A5-*	100	M 16	125	20	6	34	3	12	8	11	555
GN 30-100-M16-150-A1-*	100	M 16	150	20	6	34	3	12	8	11	589
GN 30-100-M16-150-A2-*	100	M 16	150	20	6	34	3	12	8	10	589
GN 30-100-M16-150-A5-*	100	M 16	150	20	6	34	3	12	8	11	587
GN 30-100-M16-200-A1-*	100	M 16	200	20	6	34	3	12	8	11	649
GN 30-100-M16-200-A2-*	100	M 16	200	20	6	34	3	12	8	10	649
GN 30-100-M16-200-A5-*	100	M 16	200	20	6	34	3	12	8	11	647
GN 30-100-M16-250-A1-*	100	M 16	250	20	6	34	3	12	8	11	967
GN 30-100-M16-250-A2-*	100	M 16	250	20	6	34	3	12	8	10	967
GN 30-100-M16-250-A5-*	100	M 16	250	20	6	34	3	12	8	11	965
GN 30-100-M20-75-A1-*	100	M 20	75	20	6	35	3	15	10	11	684
GN 30-100-M20-75-A2-*	100	M 20	75	20	6	35	3	15	10	10	684
GN 30-100-M20-75-A5-*	100	M 20	75	20	6	35	3	15	10	11	682
GN 30-100-M20-100-A1-*	100	M 20	100	20	6	35	3	15	10	11	734
GN 30-100-M20-100-A2-*	100	M 20	100	20	6	35	3	15	10	10	734
GN 30-100-M20-100-A5-*	100	M 20	100	20	6	35	3	15	10	11	732
GN 30-100-M20-125-A1-*	100	M 20	125	20	6	35	3	15	10	11	784
GN 30-100-M20-125-A2-*	100	M 20	125	20	6	35	3	15	10	10	784
GN 30-100-M20-125-A5-*	100	M 20	125	20	6	35	3	15	10	11	782
GN 30-100-M20-150-A1-*	100	M 20	150	20	6	35	3	15	10	11	833
GN 30-100-M20-150-A2-*	100	M 20	150	20	6	35	3	15	10	10	833
GN 30-100-M20-150-A5-*	100	M 20	150	20	6	35	3	15	10	11	831
GN 30-100-M20-200-A1-*	100	M 20	200	20	6	35	3	15	10	11	924
GN 30-100-M20-200-A2-*	100	M 20	200	20	6	35	3	15	10	10	924
GN 30-100-M20-200-A5-*	100	M 20	200	20	6	35	3	15	10	11	922
GN 30-100-M20-250-A1-*	100	M 20	250	20	6	35	3	15	10	11	1418
GN 30-100-M20-250-A2-*	100	M 20	250	20	6	35	3	15	10	10	1418

Weight Version U



* Complete with version of the Leveling feet
(Hex socket at the top / Wrench at the bottom)

U without nut **UK** with nut

GN 30-U/UK

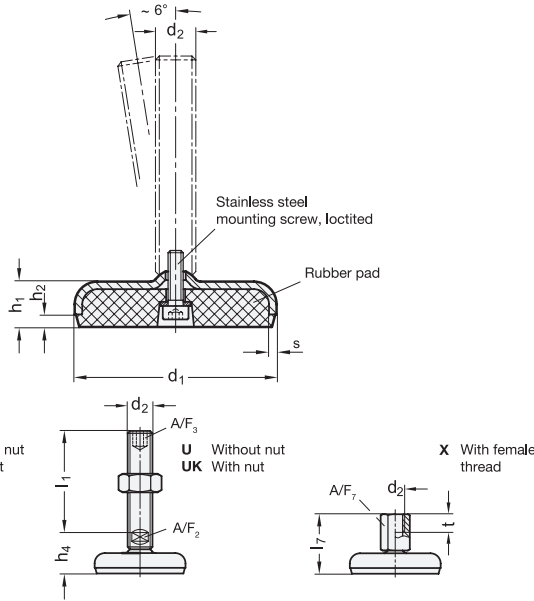
Description	d1	d2	l1	h1	h2	h4	s	A/FA/F ₂	A/FA/F ₃	Static load in kN	⚖️
GN 30-100-M20-250-A5-*	100	M 20	250	20	6	35	3	15	10	11	1416
GN 30-100-M24-100-A1-*	100	M 24	100	20	6	38	3	19	12	11	818
GN 30-100-M24-100-A2-*	100	M 24	100	20	6	38	3	19	12	10	818
GN 30-100-M24-100-A5-*	100	M 24	100	20	6	38	3	19	12	11	816
GN 30-100-M24-125-A1-*	100	M 24	125	20	6	38	3	19	12	11	890
GN 30-100-M24-125-A2-*	100	M 24	125	20	6	38	3	19	12	10	890
GN 30-100-M24-125-A5-*	100	M 24	125	20	6	38	3	19	12	11	888
GN 30-100-M24-150-A1-*	100	M 24	150	20	6	38	3	19	12	11	962
GN 30-100-M24-150-A2-*	100	M 24	150	20	6	38	3	19	12	10	962
GN 30-100-M24-150-A5-*	100	M 24	150	20	6	38	3	19	12	11	960
GN 30-100-M24-200-A1-*	100	M 24	200	20	6	38	3	19	12	11	930
GN 30-100-M24-200-A2-*	100	M 24	200	20	6	38	3	19	12	10	930
GN 30-100-M24-200-A5-*	100	M 24	200	20	6	38	3	19	12	11	928
GN 30-100-M24-300-A1-*	100	M 24	300	20	6	38	3	19	12	11	1975
GN 30-100-M24-300-A2-*	100	M 24	300	20	6	38	3	19	12	10	1975
GN 30-100-M24-300-A5-*	100	M 24	300	20	6	38	3	19	12	11	1972
GN 30-120-M20-100-A1-*	120	M 20	100	22	6	39	4	15	10	11	878
GN 30-120-M20-100-A2-*	120	M 20	100	22	6	39	4	15	10	10	878
GN 30-120-M20-100-A5-*	120	M 20	100	22	6	39	4	15	10	11	876
GN 30-120-M20-125-A1-*	120	M 20	125	22	6	39	4	15	10	20	928
GN 30-120-M20-125-A2-*	120	M 20	125	22	6	39	4	15	10	16	928
GN 30-120-M20-125-A5-*	120	M 20	125	22	6	39	4	15	10	20	926
GN 30-120-M20-150-A1-*	120	M 20	150	22	6	39	4	15	10	20	977
GN 30-120-M20-150-A2-*	120	M 20	150	22	6	39	4	15	10	16	977
GN 30-120-M20-150-A5-*	120	M 20	150	22	6	39	4	15	10	20	975
GN 30-120-M20-200-A1-*	120	M 20	200	22	6	39	4	15	10	20	1068
GN 30-120-M20-200-A2-*	120	M 20	200	22	6	39	4	15	10	16	1068
GN 30-120-M20-200-A5-*	120	M 20	200	22	6	39	4	15	10	20	1066
GN 30-120-M20-250-A1-*	120	M 20	250	22	6	39	4	15	10	20	1562
GN 30-120-M20-250-A2-*	120	M 20	250	22	6	39	4	15	10	16	1562
GN 30-120-M20-250-A5-*	120	M 20	250	22	6	39	4	15	10	20	1560

GN 30-U/UK

Description	d1	d2	l1	h1	h2	h4	s	A/FA/F ₂	A/FA/F ₃	Static load in kN	⚖️
GN 30-120-M24-100-A1-*	120	M 24	100	22	6	42	4	19	12	20	983
GN 30-120-M24-100-A2-*	120	M 24	100	22	6	42	4	19	12	16	983
GN 30-120-M24-100-A5-*	120	M 24	100	22	6	42	4	19	12	20	981
GN 30-120-M24-125-A1-*	120	M 24	125	22	6	42	4	19	12	20	1055
GN 30-120-M24-125-A2-*	120	M 24	125	22	6	42	4	19	12	16	1055
GN 30-120-M24-125-A5-*	120	M 24	125	22	6	42	4	19	12	20	1053
GN 30-120-M24-150-A1-*	120	M 24	150	22	6	42	4	19	12	20	1127
GN 30-120-M24-150-A2-*	120	M 24	150	22	6	42	4	19	12	16	1127
GN 30-120-M24-150-A5-*	120	M 24	150	22	6	42	4	19	12	20	1125
GN 30-120-M24-200-A1-*	120	M 24	200	22	6	42	4	19	12	20	1265
GN 30-120-M24-200-A2-*	120	M 24	200	22	6	42	4	19	12	16	1265
GN 30-120-M24-200-A5-*	120	M 24	200	22	6	42	4	19	12	20	1263
GN 30-120-M24-300-A1-*	120	M 24	300	22	6	42	4	19	12	20	2140
GN 30-120-M24-300-A2-*	120	M 24	300	22	6	42	4	19	12	16	2140
GN 30-120-M24-300-A5-*	120	M 24	300	22	6	42	4	19	12	20	2138
GN 30-120-M30-100-A1-*	120	M 30	100	22	6	46	4	24	12	20	1187
GN 30-120-M30-100-A2-*	120	M 30	100	22	6	46	4	24	12	16	1187
GN 30-120-M30-100-A5-*	120	M 30	100	22	6	46	4	24	12	20	1185
GN 30-120-M30-125-A1-*	120	M 30	125	22	6	46	4	24	12	20	1298
GN 30-120-M30-125-A2-*	120	M 30	125	22	6	46	4	24	12	16	1298
GN 30-120-M30-125-A5-*	120	M 30	125	22	6	46	4	24	12	20	1296
GN 30-120-M30-150-A1-*	120	M 30	150	22	6	46	4	24	12	20	1410
GN 30-120-M30-150-A2-*	120	M 30	150	22	6	46	4	24	12	16	1410
GN 30-120-M30-150-A5-*	120	M 30	150	22	6	46	4	24	12	20	1408
GN 30-120-M30-200-A1-*	120	M 30	200	22	6	46	4	24	12	20	1636
GN 30-120-M30-200-A2-*	120	M 30	200	22	6	46	4	24	12	16	1636
GN 30-120-M30-200-A5-*	120	M 30	200	22	6	46	4	24	12	20	1634
GN 30-120-M30-300-A1-*	120	M 30	300	22	6	46	4	24	12	20	3041
GN 30-120-M30-300-A2-*	120	M 30	300	22	6	46	4	24	12	16	3041
GN 30-120-M30-300-A5-*	120	M 30	300	22	66	46	4	24	12	20	3039

Weight Version U





GN 30-X

Description	d1	d2	l7	h1	h2	s	A/F ₇	t	Static load in kN	⚖️
GN 30-50-M8-37-A1-X	50	M 8	37	14.5	3.5	3	14	8	8	157
GN 30-50-M8-37-A2-X	50	M 8	37	14.5	3.5	3	14	8	8	157
GN 30-50-M8-37-A5-X	50	M 8	37	14.5	3.5	3	14	8	8	155
GN 30-50-M10-40-A1-X	50	M 10	40	14.5	3.5	3	14	10	13	159
GN 30-50-M10-40-A2-X	50	M 10	40	14.5	3.5	3	14	10	13	159
GN 30-50-M10-40-A5-X	50	M 10	40	14.5	3.5	3	14	10	13	157
GN 30-50-M12-43-A1-X	50	M 12	43	14.5	3.5	3	17	12	16	164
GN 30-50-M12-43-A2-X	50	M 12	43	14.5	3.5	3	17	12	13	164
GN 30-50-M12-43-A5-X	50	M 12	43	14.5	3.5	3	17	12	16	162
GN 30-50-M16-49-A1-X	50	M 16	49	14.5	3.5	3	22	16	13	210
GN 30-50-M16-49-A2-X	50	M 16	49	14.5	3.5	3	22	16	16	210
GN 30-50-M16-49-A5-X	50	M 16	49	14.5	3.5	3	22	16	13	208
GN 30-60-M8-38-A1-X	60	M 8	38	16	4	3	14	8	8	191
GN 30-60-M8-38-A2-X	60	M 8	38	16	4	3	14	8	8	191
GN 30-60-M8-38-A5-X	60	M 8	38	16	4	3	14	8	8	189
GN 30-60-M10-41-A1-X	60	M 10	41	16	4	3	14	10	13	208
GN 30-60-M10-41-A2-X	60	M 10	41	16	4	3	14	10	13	208
GN 30-60-M10-41-A5-X	60	M 10	41	16	4	3	14	10	13	206
GN 30-60-M12-45-A1-X	60	M 12	45	16	4	3	17	12	16	224
GN 30-60-M12-45-A2-X	60	M 12	45	16	4	3	17	12	13	224
GN 30-60-M12-45-A5-X	60	M 12	45	16	4	3	17	12	16	222
GN 30-60-M16-50-A1-X	60	M 16	50	16	4	3	22	16	16	261
GN 30-60-M16-50-A2-X	60	M 16	50	16	4	3	22	16	13	261
GN 30-60-M16-50-A5-X	60	M 16	50	16	4	3	22	16	16	258
GN 30-80-M8-40-A1-X	80	M 8	40	18	5	3	14	8	8	283
GN 30-80-M8-40-A2-X	80	M 8	40	18	5	3	14	8	8	283
GN 30-80-M8-40-A5-X	80	M 8	40	18	5	3	14	8	8	281
GN 30-80-M10-43-A1-X	80	M 10	43	18	5	3	14	10	12	285
GN 30-80-M10-43-A2-X	80	M 10	43	18	5	3	14	10	11	285

GN 30-X

Description	d1	d2	l7	h1	h2	s	A/F ₇	t	Static load in kN	⚖️
GN 30-80-M10-43-A5-X	80	M 10	43	18	5	3	14	10	12	283
GN 30-80-M12-47-A1-X	80	M 12	47	18	5	3	17	12	12	297
GN 30-80-M12-47-A2-X	80	M 12	47	18	5	3	17	12	11	297
GN 30-80-M12-47-A5-X	80	M 12	47	18	5	3	17	12	12	295
GN 30-80-M16-52-A1-X	80	M 16	52	18	5	3	22	16	12	332
GN 30-80-M16-52-A2-X	80	M 16	52	18	5	3	22	16	11	332
GN 30-80-M16-52-A5-X	80	M 16	52	18	5	3	22	16	12	330
GN 30-80-M20-60-A1-X	80	M 20	60	18	5	3	27	20	12	490
GN 30-80-M20-60-A2-X	80	M 20	60	18	5	3	27	20	11	490
GN 30-80-M20-60-A5-X	80	M 20	60	18	5	3	27	20	12	488
GN 30-100-M8-42-A1-X	100	M 8	42	20	6	3	14	8	8	417
GN 30-100-M8-42-A2-X	100	M 8	42	20	6	3	14	8	8	417
GN 30-100-M8-42-A5-X	100	M 8	42	20	6	3	14	8	8	415
GN 30-100-M10-45-A1-X	100	M 10	45	20	6	3	14	10	11	413
GN 30-100-M10-45-A2-X	100	M 10	45	20	6	3	14	10	10	413
GN 30-100-M10-45-A5-X	100	M 10	45	20	6	3	14	10	11	411
GN 30-100-M12-49-A1-X	100	M 12	49	20	6	3	17	12	11	429
GN 30-100-M12-49-A2-X	100	M 12	49	20	6	3	17	12	10	429
GN 30-100-M12-49-A5-X	100	M 12	49	20	6	3	17	12	11	427
GN 30-100-M16-54-A1-X	100	M 16	54	20	6	3	22	16	11	464
GN 30-100-M16-54-A2-X	100	M 16	54	20	6	3	22	16	10	464
GN 30-100-M16-54-A5-X	100	M 16	54	20	6	3	22	16	11	462
GN 30-100-M20-62-A1-X	100	M 20	62	20	6	3	27	20	11	575
GN 30-100-M20-62-A2-X	100	M 20	62	20	6	3	27	20	10	575
GN 30-100-M20-62-A5-X	100	M 20	62	20	6	3	27	20	11	573
GN 30-120-M20-65-A1-X	120	M 20	65	22	6	4	27	20	20	667
GN 30-120-M20-65-A2-X	120	M 20	65	22	6	4	27	20	16	667
GN 30-120-M20-65-A5-X	120	M 20	65	22	6	4	27	20	20	665