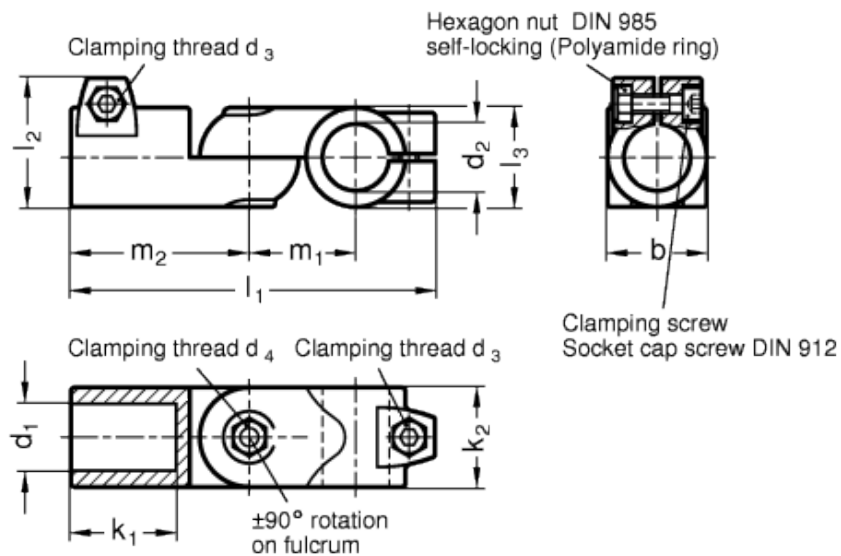
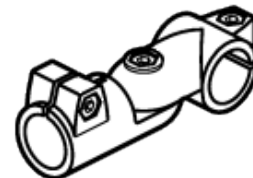
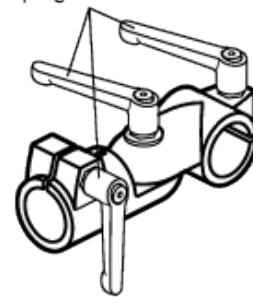


GN 288

Pivoting connecting clamps



Adjustable clamping lever GN 911



technical informations

Material
Aluminium.

Finish

- Version SW: RAL 9005 black colour, matte finish, epoxy resin coating.
- Version BL: blank, matte shot-blasted.

Types

- Type S: steppless adjustment.
- Type T: adjustment by 15° -division (serration).

Clamping screws

- Identification no. 1: with three clamping screws DIN 912 and nuts DIN 985, zinc-plated.
- Identification no. 2: with three AISI 304 stainless steel-clamping screws DIN 912 and nuts DIN 985.

Assembly

The standard clamping bolts are socket cap screws DIN 912, supplied assembled. They can be replaced by clamping kits GN 911 (description see table of dimensions).

Features and applications

The swivel clamp connector joints GN 288 are an assembly of swivel clamp connectors GN 276 and GN 278.

For the type with a stepless adjustment (Type S) swivel clamp connectors with a centring step are used. Since the latter have an identical swivel width "b", all bores " d_1 / d_2 " can be combined as required.

The clamping bore is machined and designed for construction tubings GN 990 or DIN 2391, DIN 2395 and DIN 2462 respectively.

Accessories

- Tubings [GN 990](#).
- Clamping kits [GN 911](#) (clamping handles GN 300.1 with distance bushing).

Standard Elements	Main dimensions												Clamping kits		Weight
Description	d ₁	d ₂	b	d ₃	d ₄	k ₁	k ₂	l ₁	l ₂	l ₃	m ₁	m ₂	For d ₃	For d ₄	g
GN 288-B20-B20-S-1-*	B 20	B 20	40	M 8	M 8	42.5	40	147	52	40	43	72	GN 911-M8-32	GN 911-M8-35	410
GN 288-B20-B25-S-1-*	B 20	B 25	40	M 8	M 8	42.5	40	147	52	40	43	72	GN 911-M8-32	GN 911-M8-35	410
GN 288-B20-B30-S-1-*	B 20	B 30	40	M 8	M 8	42.5	40	147	52	40	43	72	GN 911-M8-32	GN 911-M8-35	345
GN 288-B25-B20-S-1-*	B 25	B 20	40	M 8	M 8	42.5	40	147	52	40	43	72	GN 911-M8-32	GN 911-M8-35	375
GN 288-B25-B25-S-1-*	B 25	B 25	40	M 8	M 8	42.5	40	147	52	40	43	72	GN 911-M8-32	GN 911-M8-35	375
GN 288-B25-B30-S-1-*	B 25	B 30	40	M 8	M 8	42.5	40	147	52	40	43	72	GN 911-M8-32	GN 911-M8-35	375
GN 288-B30-B20-S-1-*	B 30	B 20	40	M 8	M 8	42.5	40	147	52	40	43	72	GN 911-M8-32	GN 911-M8-35	325
GN 288-B30-B25-S-1-*	B 30	B 25	40	M 8	M 8	42.5	40	147	52	40	43	72	GN 911-M8-32	GN 911-M8-35	340
GN 288-B30-B30-S-1-*	B 30	B 30	40	M 8	M 8	42.5	40	147	52	40	43	72	GN 911-M8-32	GN 911-M8-35	325
GN 288-B40-B40-S-1-*	B 40	B 40	65	M 10	M 10	74	65	230	77.5	65	70	115	GN 911-M10-55	GN 911-M10-63	1500
GN 288-B40-B42-S-1-*	B 40	B 42	65	M 10	M 10	74	65	230	77.5	65	70	115	GN 911-M10-55	GN 911-M10-63	1510
GN 288-B40-B45-S-1-*	B 40	B 45	65	M 10	M 10	74	65	230	77.5	65	70	115	GN 911-M10-55	GN 911-M10-63	1500
GN 288-B40-B48-S-1-*	B 40	B 48	65	M 10	M 10	74	65	230	77.5	65	70	115	GN 911-M10-55	GN 911-M10-63	1500
GN 288-B40-B50-S-1-*	B 40	B 50	65	M 10	M 10	74	65	230	77.5	65	70	115	GN 911-M10-55	GN 911-M10-63	1490
GN 288-B42-B40-S-1-*	B 42	B 40	65	M 10	M 10	74	65	230	77.5	65	70	115	GN 911-M10-55	GN 911-M10-63	1470
GN 288-B42-B42-S-1-*	B 42	B 42	65	M 10	M 10	74	65	230	77.5	65	70	115	GN 911-M10-55	GN 911-M10-63	1465
GN 288-B42-B45-S-1-*	B 42	B 45	65	M 10	M 10	74	65	230	77.5	65	70	115	GN 911-M10-55	GN 911-M10-63	1460
GN 288-B42-B48-S-1-*	B 42	B 48	65	M 10	M 10	74	65	230	77.5	65	70	115	GN 911-M10-55	GN 911-M10-63	1455
GN 288-B42-B50-S-1-*	B 42	B 50	65	M 10	M 10	74	65	230	77.5	65	70	115	GN 911-M10-55	GN 911-M10-63	1450
GN 288-B45-B40-S-1-*	B 45	B 40	65	M 10	M 10	74	65	230	77.5	65	70	115	GN 911-M10-55	GN 911-M10-63	1410
GN 288-B45-B42-S-1-*	B 45	B 42	65	M 10	M 10	74	65	230	77.5	65	70	115	GN 911-M10-55	GN 911-M10-63	1400
GN 288-B45-B45-S-1-*	B 45	B 45	65	M 10	M 10	74	65	230	77.5	65	70	115	GN 911-M10-55	GN 911-M10-63	1400
GN 288-B45-B48-S-1-*	B 45	B 48	65	M 10	M 10	74	65	230	77.5	65	70	115	GN 911-M10-55	GN 911-M10-63	1395
GN 288-B45-B50-S-1-*	B 45	B 50	65	M 10	M 10	74	65	230	77.5	65	70	115	GN 911-M10-55	GN 911-M10-63	1390
GN 288-B48-B40-S-1-*	B 48	B 40	65	M 10	M 10	74	65	230	77.5	65	70	115	GN 911-M10-55	GN 911-M10-63	1270
GN 288-B48-B42-S-1-*	B 48	B 42	65	M 10	M 10	74	65	230	77.5	65	70	115	GN 911-M10-55	GN 911-M10-63	1265
GN 288-B48-B45-S-1-*	B 48	B 45	65	M 10	M 10	74	65	230	77.5	65	70	115	GN 911-M10-55	GN 911-M10-63	1260
GN 288-B48-B48-S-1-*	B 48	B 48	65	M 10	M 10	74	65	230	77.5	65	70	115	GN 911-M10-55	GN 911-M10-63	1300
GN 288-B48-B50-S-1-*	B 48	B 50	65	M 10	M 10	74	65	230	77.5	65	70	115	GN 911-M10-55	GN 911-M10-63	1295
GN 288-B50-B40-S-1-*	B 50	B 40	65	M 10	M 10	74	65	230	77.5	65	70	115	GN 911-M10-55	GN 911-M10-63	1275
GN 288-B50-B42-S-1-*	B 50	B 42	65	M 10	M 10	74	65	230	77.5	65	70	115	GN 911-M10-55	GN 911-M10-63	1270
GN 288-B50-B45-S-1-*	B 50	B 45	65	M 10	M 10	74	65	230	77.5	65	70	115	GN 911-M10-55	GN 911-M10-63	1270
GN 288-B50-B48-S-1-*	B 50	B 48	65	M 10	M 10	74	65	230	77.5	65	70	115	GN 911-M10-55	GN 911-M10-63	1265
GN 288-B50-B50-S-1-*	B 50	B 50	65	M 10	M 10	74	65	230	77.5	65	70	115	GN 911-M10-55	GN 911-M10-63	1275
GN 288-B20-B20-T-1-*	B 20	B 20	40	M 8	M 8	42.5	40	147	52	40	43	72	GN 911-M8-32	GN 911-M8-35	420
GN 288-B20-B25-T-1-*	B 20	B 25	40	M 8	M 8	42.5	40	147	52	40	43	72	GN 911-M8-32	GN 911-M8-35	410
GN 288-B20-B30-T-1-*	B 20	B 30	40	M 8	M 8	42.5	40	147	52	40	43	72	GN 911-M8-32	GN 911-M8-35	420
GN 288-B25-B20-T-1-*	B 25	B 20	40	M 8	M 8	42.5	40	147	52	40	43	72	GN 911-M8-32	GN 911-M8-35	380
GN 288-B25-B25-T-1-*	B 25	B 25	40	M 8	M 8	42.5	40	147	52	40	43	72	GN 911-M8-32	GN 911-M8-35	380
GN 288-B25-B30-T-1-*	B 25	B 30	40	M 8	M 8	42.5	40	147	52	40	43	72	GN 911-M8-32	GN 911-M8-35	375
GN 288-B30-B20-T-1-*	B 30	B 20	40	M 8	M 8	42.5	40	147	52	40	43	72	GN 911-M8-32	GN 911-M8-35	325
GN 288-B30-B25-T-1-*	B 30	B 25	40	M 8	M 8	42.5	40	147	52	40	43	72	GN 911-M8-32	GN 911-M8-35	340

GN 288-B50-B40-T-2-*	B 50	B 40	65	M 10	M 10	74	65	230	77.5	65	70	115	GN 911-M10-55	GN 911-M10-63	1275
GN 288-B50-B42-T-2-*	B 50	B 42	65	M 10	M 10	74	65	230	77.5	65	70	115	GN 911-M10-55	GN 911-M10-63	1275
GN 288-B50-B45-T-2-*	B 50	B 45	65	M 10	M 10	74	65	230	77.5	65	70	115	GN 911-M10-55	GN 911-M10-63	1270
GN 288-B50-B48-T-2-*	B 50	B 48	65	M 10	M 10	74	65	230	77.5	65	70	115	GN 911-M10-55	GN 911-M10-63	1265
GN 288-B50-B50-T-2-*	B 50	B 50	65	M 10	M 10	74	65	230	77.5	65	70	115	GN 911-M10-55	GN 911-M10-63	1285

* Complete the description of the standard item needed by adding the finish of the connector clamps: BL (blank) or SW (black).



STANDARD MACHINE ELEMENTS WORLDWIDE