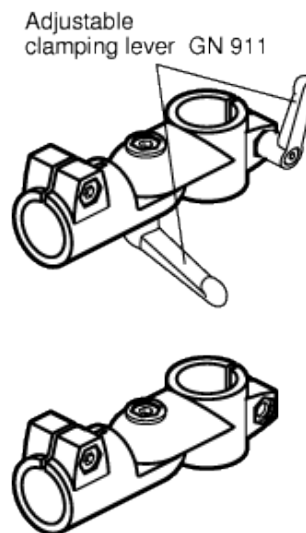
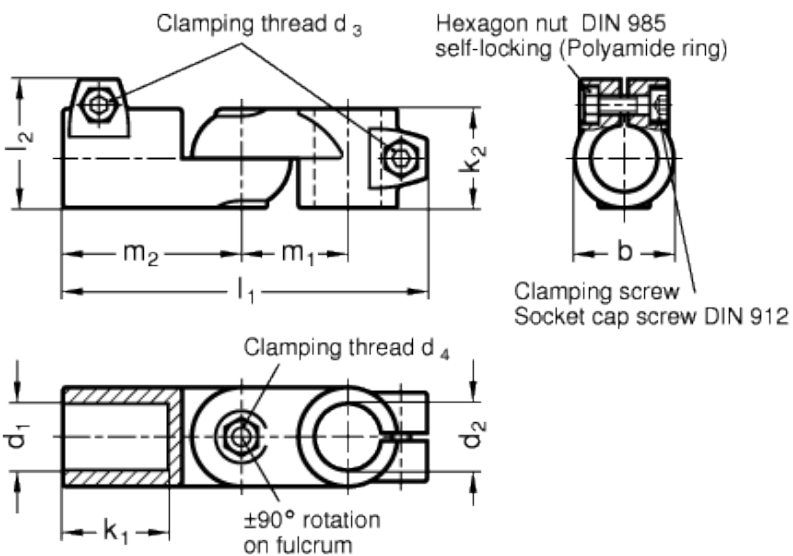


# GN 284

Pivoting connecting clamps



## technical informations

### Material

Aluminium.

### Finish

- Version SW: RAL 9005 black colour, matte finish, epoxy resin coating.
- Version BL: blank, matte shot-blasted.

### Types

- Type S: steppless adjustment.
- Type T: adjustment by  $15^\circ$ -division (serration).

### Clamping screws

- Identification no. 1: with three clamping screws DIN 912 and nuts DIN 985, zinc-plated.
- Identification no. 2: with three AISI 304 stainless steel-clamping screws DIN 912 and nuts DIN 985.

### *Assembly*

The standard clamping bolts are socket cap screws DIN 912, supplied assembled. They can be replaced by clamping kits GN 911 (description see table of dimensions).

### *Features and applications*

The swivel clamp connector joints GN 284 are an assembly of the two swivel clamp connectors GN 274 and GN 276.

For the type with a stepless adjustment (Type S) swivel clamp connectors with a centring step are used. Since the latter have an identical swivel width "b", all bores " $d_1 / d_2$ " can be combined as required.

The clamping bore is machined and designed for construction tubings GN 990 or DIN 2391, DIN 2395 and DIN 2462 respectively.

### *Accessories*

- Tubings [GN 990](#).
- Clamping kits [GN 911](#) (clamping handles GN 300.1 with distance bushing).

Standard Elements	Main dimensions											Clamping kits		Weight
Description	d <sub>1</sub>	d <sub>2</sub>	b	d <sub>3</sub>	d <sub>4</sub>	k <sub>1</sub>	k <sub>2</sub>	l <sub>1</sub>	l <sub>2</sub>	m <sub>1</sub>	m <sub>2</sub>	For d <sub>3</sub>	For d <sub>4</sub>	g
GN 284-B20-B20-S-1-*	B 20	B 20	40	M 8	M 8	42.5	40	147	52	43	72	GN 911-M8-32	GN 911-M8-35	405
GN 284-B20-B25-S-1-*	B 20	B 25	40	M 8	M 8	42.5	40	147	52	43	72	GN 911-M8-32	GN 911-M8-35	405
GN 284-B20-B30-S-1-*	B 20	B 30	40	M 8	M 8	42.5	40	147	52	43	72	GN 911-M8-32	GN 911-M8-35	405
GN 284-B25-B20-S-1-*	B 25	B 20	40	M 8	M 8	42.5	40	147	52	43	72	GN 911-M8-32	GN 911-M8-35	405
GN 284-B25-B25-S-1-*	B 25	B 25	40	M 8	M 8	42.5	40	147	52	43	72	GN 911-M8-32	GN 911-M8-35	375
GN 284-B25-B30-S-1-*	B 25	B 30	40	M 8	M 8	42.5	40	147	52	43	72	GN 911-M8-32	GN 911-M8-35	405
GN 284-B30-B20-S-1-*	B 30	B 20	40	M 8	M 8	42.5	40	147	52	43	72	GN 911-M8-32	GN 911-M8-35	405
GN 284-B30-B25-S-1-*	B 30	B 25	40	M 8	M 8	42.5	40	147	52	43	72	GN 911-M8-32	GN 911-M8-35	405
GN 284-B30-B30-S-1-*	B 30	B 30	40	M 8	M 8	42.5	40	147	52	43	72	GN 911-M8-32	GN 911-M8-35	325
GN 284-B40-B40-S-1-*	B 40	B 40	65	M 10	M 10	74	65	230	77.5	70	115	GN 911-M10-55	GN 911-M10-63	1500
GN 284-B40-B42-S-1-*	B 40	B 42	65	M 10	M 10	74	65	230	77.5	70	115	GN 911-M10-55	GN 911-M10-63	1500
GN 284-B40-B45-S-1-*	B 40	B 45	65	M 10	M 10	74	65	230	77.5	70	115	GN 911-M10-55	GN 911-M10-63	1500
GN 284-B40-B48-S-1-*	B 40	B 48	65	M 10	M 10	74	65	230	77.5	70	115	GN 911-M10-55	GN 911-M10-63	1500
GN 284-B40-B50-S-1-*	B 40	B 50	65	M 10	M 10	74	65	230	77.5	70	115	GN 911-M10-55	GN 911-M10-63	1500
GN 284-B42-B40-S-1-*	B 42	B 40	65	M 10	M 10	74	65	230	77.5	70	115	GN 911-M10-55	GN 911-M10-63	1485
GN 284-B42-B42-S-1-*	B 42	B 42	65	M 10	M 10	74	65	230	77.5	70	115	GN 911-M10-55	GN 911-M10-63	1470
GN 284-B42-B45-S-1-*	B 42	B 45	65	M 10	M 10	74	65	230	77.5	70	115	GN 911-M10-55	GN 911-M10-63	1435
GN 284-B42-B48-S-1-*	B 42	B 48	65	M 10	M 10	74	65	230	77.5	70	115	GN 911-M10-55	GN 911-M10-63	1410
GN 284-B42-B50-S-1-*	B 42	B 50	65	M 10	M 10	74	65	230	77.5	70	115	GN 911-M10-55	GN 911-M10-63	1370
GN 284-B45-B40-S-1-*	B 45	B 40	65	M 10	M 10	74	65	230	77.5	70	115	GN 911-M10-55	GN 911-M10-63	1400
GN 284-B45-B42-S-1-*	B 45	B 42	65	M 10	M 10	74	65	230	77.5	70	115	GN 911-M10-55	GN 911-M10-63	1380
GN 284-B45-B45-S-1-*	B 45	B 45	65	M 10	M 10	74	65	230	77.5	70	115	GN 911-M10-55	GN 911-M10-63	1400
GN 284-B45-B48-S-1-*	B 45	B 48	65	M 10	M 10	74	65	230	77.5	70	115	GN 911-M10-55	GN 911-M10-63	1355
GN 284-B45-B50-S-1-*	B 45	B 50	65	M 10	M 10	74	65	230	77.5	70	115	GN 911-M10-55	GN 911-M10-63	1380
GN 284-B48-B40-S-1-*	B 48	B 40	65	M 10	M 10	74	65	230	77.5	70	115	GN 911-M10-55	GN 911-M10-63	1400
GN 284-B48-B42-S-1-*	B 48	B 42	65	M 10	M 10	74	65	230	77.5	70	115	GN 911-M10-55	GN 911-M10-63	1400
GN 284-B48-B45-S-1-*	B 48	B 45	65	M 10	M 10	74	65	230	77.5	70	115	GN 911-M10-55	GN 911-M10-63	1400
GN 284-B48-B48-S-1-*	B 48	B 48	65	M 10	M 10	74	65	230	77.5	70	115	GN 911-M10-55	GN 911-M10-63	1350
GN 284-B48-B50-S-1-*	B 48	B 50	65	M 10	M 10	74	65	230	77.5	70	115	GN 911-M10-55	GN 911-M10-63	1400
GN 284-B50-B40-S-1-*	B 50	B 40	65	M 10	M 10	74	65	230	77.5	70	115	GN 911-M10-55	GN 911-M10-63	1380
GN 284-B50-B42-S-1-*	B 50	B 42	65	M 10	M 10	74	65	230	77.5	70	115	GN 911-M10-55	GN 911-M10-63	1380
GN 284-B50-B45-S-1-*	B 50	B 45	65	M 10	M 10	74	65	230	77.5	70	115	GN 911-M10-55	GN 911-M10-63	1380
GN 284-B50-B48-S-1-*	B 50	B 48	65	M 10	M 10	74	65	230	77.5	70	115	GN 911-M10-55	GN 911-M10-63	1380
GN 284-B50-B50-S-1-*	B 50	B 50	65	M 10	M 10	74	65	230	77.5	70	115	GN 911-M10-55	GN 911-M10-63	1270
GN 284-B20-B20-T-1-*	B 20	B 20	40	M 8	M 8	42.5	40	147	52	43	72	GN 911-M8-32	GN 911-M8-35	410
GN 284-B20-B25-T-1-*	B 20	B 25	40	M 8	M 8	42.5	40	147	52	43	72	GN 911-M8-32	GN 911-M8-35	405
GN 284-B20-B30-T-1-*	B 20	B 30	40	M 8	M 8	42.5	40	147	52	43	72	GN 911-M8-32	GN 911-M8-35	405
GN 284-B25-B20-T-1-*	B 25	B 20	40	M 8	M 8	42.5	40	147	52	43	72	GN 911-M8-32	GN 911-M8-35	405
GN 284-B25-B25-T-1-*	B 25	B 25	40	M 8	M 8	42.5	40	147	52	43	72	GN 911-M8-32	GN 911-M8-35	380
GN 284-B25-B30-T-1-*	B 25	B 30	40	M 8	M 8	42.5	40	147	52	43	72	GN 911-M8-32	GN 911-M8-35	405
GN 284-B30-B20-T-1-*	B 30	B 20	40	M 8	M 8	42.5	40	147	52	43	72	GN 911-M8-32	GN 911-M8-35	405
GN 284-B30-B25-T-1-*	B 30	B 25	40	M 8	M 8	42.5	40	147	52	43	72	GN 911-M8-32	GN 911-M8-35	405





GN 284-B50-B40-T-2-*	B 50	B 40	65	M 10	M 10	74	65	230	77.5	70	115	GN 911-M10-55	GN 911-M10-63	1380
GN 284-B50-B42-T-2-*	B 50	B 42	65	M 10	M 10	74	65	230	77.5	70	115	GN 911-M10-55	GN 911-M10-63	1380
GN 284-B50-B45-T-2-*	B 50	B 45	65	M 10	M 10	74	65	230	77.5	70	115	GN 911-M10-55	GN 911-M10-63	1380
GN 284-B50-B48-T-2-*	B 50	B 48	65	M 10	M 10	74	65	230	77.5	70	115	GN 911-M10-55	GN 911-M10-63	1380
GN 284-B50-B50-T-2-*	B 50	B 50	65	M 10	M 10	74	65	230	77.5	70	115	GN 911-M10-55	GN 911-M10-63	1280

\* Complete the description of the standard item needed by adding the finish of the connector clamps: BL (blank) or SW (black).



STANDARD MACHINE ELEMENTS WORLDWIDE