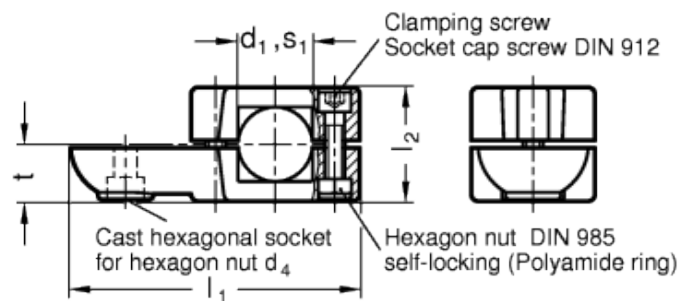
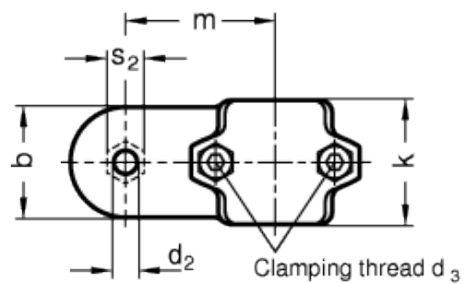


# GN 279

Swivel clamp connector



Type OZ  
without centring step



## technical informations

**Material**  
Aluminium.

## Finish

- Version SW: RAL 9005 black colour, matte finish, epoxy resin coating.
- Version BL: blank, matte shot-blasted.

**Standard version available**

Type OZ: with centring step.

### Clamping screws

- Identification no. 1: with clamping screw DIN 912, zinc-plated.
- Identification no. 2: with AISI 304 stainless steel-clamping screws DIN 912.

### Socket cap screw DIN 912

Zinc plated steel / AISI 304 stainless steel.

### Hexagon nut DIN 985

Zinc plated steel / AISI 304 stainless steel.

### Adjustable clamping levers GN 911

- Zinc die cast.
- Insert / Distance bushing AISI 305 stainless steel.

### Features and applications

The clamping bore of the swivel clamp connectors GN 279 is unmachined and designed for construction tubings GN 990 or DIN 2391, DIN 2395 and DIN 2462 respectively.  
The standard clamping screws are socket cap screws DIN 912. They can be used in place of adjustable clamping levers GN 911 (see table of dimensions).  
Two swivel clamp connectors GN 279 can be combined to swivel clamp connector joints GN 289.  
Swivel clamp connectors GN 279 can be assembled with swivel clamp connectors GN 272, GN 274 or GN 276 to create swivel clamp connector joints.

### Accessories

- Tubings [GN 990](#).
- Swivel clamp connector joints GN 289.

Standard Elements

Main dimensions

Clamping lever

Weight

| Description        | d <sub>1</sub> | s <sub>1</sub> | b  | d <sub>2</sub> | d <sub>3</sub> | d <sub>4</sub> | k  | l <sub>1</sub> | l <sub>2</sub> | m  | s <sub>2</sub> | t  | for d <sub>3</sub> | g   |
|--------------------|----------------|----------------|----|----------------|----------------|----------------|----|----------------|----------------|----|----------------|----|--------------------|-----|
| GN 279-B40-OZ-1-SW | B40            | -              | 65 | 10.5           | M10            | M10            | 76 | 166.5          | 70             | 85 | 17             | 35 | GN 911-M10-63      | 881 |
| GN 279-B40-OZ-1-BL | B40            | -              | 65 | 10.5           | M10            | M10            | 76 | 166.5          | 70             | 85 | 17             | 35 | GN 911-M10-63      | 876 |
| GN 279-B40-OZ-2-SW | B40            | -              | 65 | 10.5           | M10            | M10            | 76 | 166.5          | 70             | 85 | 17             | 35 | GN 911-M10-63      | 881 |
| GN 279-B40-OZ-2-BL | B40            | -              | 65 | 10.5           | M10            | M10            | 76 | 166.5          | 70             | 85 | 17             | 35 | GN 911-M10-63      | 876 |
| GN 279-B42-OZ-1-SW | B42            | -              | 65 | 10.5           | M10            | M10            | 76 | 166.5          | 70             | 85 | 17             | 35 | GN 911-M10-63      | 859 |
| GN 279-B42-OZ-1-BL | B42            | -              | 65 | 10.5           | M10            | M10            | 76 | 166.5          | 70             | 85 | 17             | 35 | GN 911-M10-63      | 852 |
| GN 279-B42-OZ-2-SW | B42            | -              | 65 | 10.5           | M10            | M10            | 76 | 166.5          | 70             | 85 | 17             | 35 | GN 911-M10-63      | 859 |
| GN 279-B42-OZ-2-BL | B42            | -              | 65 | 10.5           | M10            | M10            | 76 | 166.5          | 70             | 85 | 17             | 35 | GN 911-M10-63      | 852 |
| GN 279-B45-OZ-1-SW | B45            | -              | 65 | 10.5           | M10            | M10            | 76 | 166.5          | 70             | 85 | 17             | 35 | GN 911-M10-63      | 846 |
| GN 279-B45-OZ-1-BL | B45            | -              | 65 | 10.5           | M10            | M10            | 76 | 166.5          | 70             | 85 | 17             | 35 | GN 911-M10-63      | 837 |
| GN 279-B45-OZ-2-SW | B45            | -              | 65 | 10.5           | M10            | M10            | 76 | 166.5          | 70             | 85 | 17             | 35 | GN 911-M10-63      | 846 |
| GN 279-B45-OZ-2-BL | B45            | -              | 65 | 10.5           | M10            | M10            | 76 | 166.5          | 70             | 85 | 17             | 35 | GN 911-M10-63      | 837 |
| GN 279-B48-OZ-1-SW | B48            | -              | 65 | 10.5           | M10            | M10            | 76 | 166.5          | 70             | 85 | 17             | 35 | GN 191-M10-63      | 828 |
| GN 279-B48-OZ-1-BL | B48            | -              | 65 | 10.5           | M10            | M10            | 76 | 166.5          | 70             | 85 | 17             | 35 | GN 911-M10-63      | 790 |
| GN 279-B48-OZ-2-SW | B48            | -              | 65 | 10.5           | M10            | M10            | 76 | 166.5          | 70             | 85 | 17             | 35 | GN 911-M10-63      | 828 |
| GN 279-B48-OZ-2-BL | B48            | -              | 65 | 10.5           | M10            | M10            | 76 | 166.5          | 70             | 85 | 17             | 35 | GN 911-M10-63      | 790 |
| GN 279-B50-OZ-1-SW | B50            | -              | 65 | 10.5           | M10            | M10            | 76 | 166.5          | 70             | 85 | 17             | 35 | GN 911-M10-63      | 820 |
| GN 279-B50-OZ-1-BL | B50            | -              | 65 | 10.5           | M10            | M10            | 76 | 166.5          | 70             | 65 | 17             | 35 | GN 911-M10-63      | 749 |
| GN 279-B50-OZ-2-SW | B50            | -              | 65 | 10.5           | M10            | M10            | 76 | 166.5          | 70             | 85 | 17             | 35 | GN 911-M10-63      | 820 |
| GN 279-B50-OZ-2-BL | B50            | -              | 65 | 10.5           | M10            | M10            | 76 | 166.5          | 70             | 85 | 17             | 35 | GN 911-M10-63      | 749 |
| GN 279-V40-OZ-1-SW | -              | V40            | 65 | 10.5           | M10            | M10            | 76 | 166.5          | 70             | 85 | 17             | 35 | GN 911-M10-63      | 845 |
| GN 279-V40-OZ-1-BL | -              | V40            | 65 | 10.5           | M10            | M10            | 76 | 166.5          | 70             | 85 | 17             | 35 | GN 911-M10-63      | 840 |
| GN 279-V40-OZ-2-SW | -              | V40            | 65 | 10.5           | M10            | M10            | 76 | 166.5          | 70             | 85 | 17             | 35 | GN 911-M10-63      | 845 |
| GN 279-V40-OZ-2-BL | -              | V40            | 65 | 10.5           | M10            | M10            | 76 | 166.5          | 70             | 85 | 17             | 35 | GN 911-M10-63      | 860 |
| GN 279-V45-OZ-1-SW | -              | V45            | 65 | 10.5           | M10            | M10            | 76 | 166.5          | 70             | 85 | 17             | 35 | GN 911-M10-63      | 802 |
| GN 279-V45-OZ-1-BL | -              | V45            | 65 | 10.5           | M10            | M10            | 76 | 166.5          | 70             | 85 | 17             | 35 | GN 911-M10-63      | 796 |
| GN 279-V45-OZ-2-SW | -              | V45            | 65 | 10.5           | M10            | M10            | 76 | 166.5          | 70             | 85 | 17             | 35 | GN 911-M10-63      | 802 |
| GN 279-V45-OZ-2-BL | -              | V45            | 65 | 10.5           | M10            | M10            | 76 | 166.5          | 70             | 85 | 17             | 35 | GN 911-M10-63      | 796 |
| GN 279-V50-OZ-1-SW | -              | V50            | 65 | 10.5           | M10            | M10            | 76 | 166.5          | 70             | 85 | 17             | 35 | GN 911-M10-63      | 767 |
| GN 279-V50-OZ-1-BL | -              | V50            | 65 | 10.5           | M10            | M10            | 76 | 166.5          | 70             | 85 | 17             | 35 | GN 911-M10-63      | 756 |
| GN 279-V50-OZ-2-SW | -              | V50            | 65 | 10.5           | M10            | M10            | 76 | 166.5          | 70             | 85 | 17             | 35 | GN 911-M10-63      | 767 |
| GN 279-V50-OZ-2-BL | -              | V50            | 65 | 10.5           | M10            | M10            | 76 | 166.5          | 70             | 85 | 17             | 35 | GN 911-M10-63      | 756 |



STANDARD MACHINE ELEMENTS WORLDWIDE