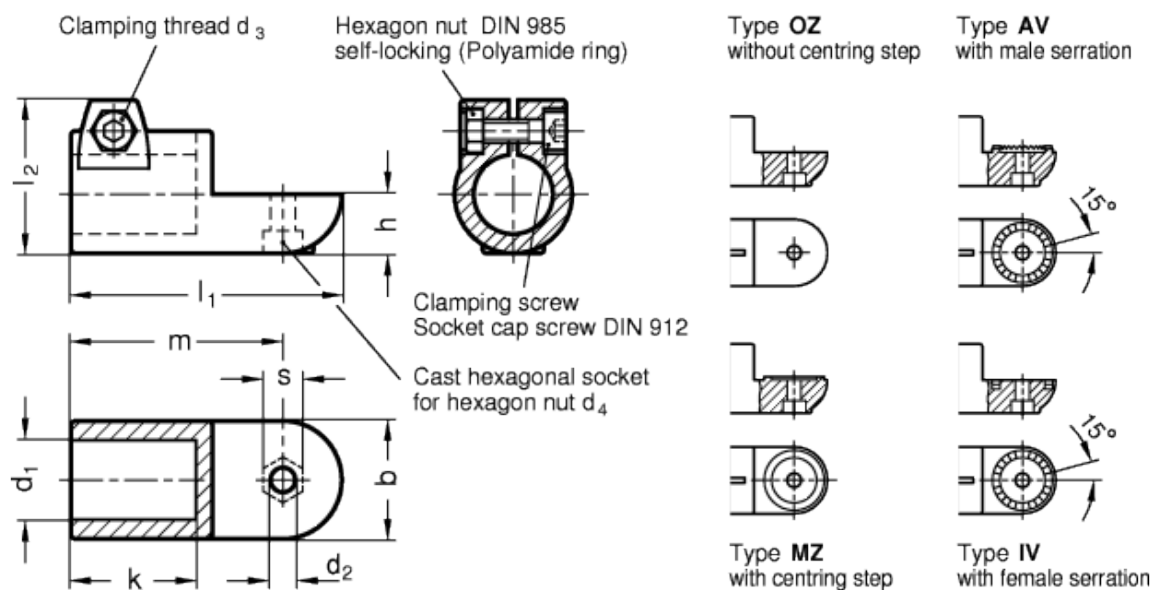


GN 276

Pivoting connecting clamps



technical informations

Material

Aluminium.

Finish

- Version SW: RAL 9005 black colour, matte finish, epoxy resin coating.
- Version BL: blank, matte shot-blasted.

Types

- Type OZ without centring step.
- Type MZ with centring step.
- Type AV with male serration.

- Type IV with female serration.

Clamping screws

- Identification no. 1: with clamping screw DIN 912 and nut DIN 985, zinc-plated.
- Identification no. 2: with AISI 304 stainless steel-clamping screw DIN 912 and nut DIN 985.

Assembly

The standard clamping bolts are socket cap screws DIN 912, supplied assembled. They can be replaced by clamping kits GN 911 (description see table of dimensions).

Features and applications

Swivel clamp connectors GN 276 can be assembled with swivel clamp connectors GN 272, GN 274 or GN 278 to create swivel clamp connector joints.

The clamping bore of the swivel clamp connectors GN 276 is machined and designed for construction tubings GN 990 or DIN 2391, DIN 2395 and DIN 2462 respectively.

Accessories

- Tubings [GN 990](#).
- Clamping kits [GN 911](#) (clamping handles GN 300.1 with distance bushing).

Standard Elements	Main dimensions											Clamping kits	Weight
Description	d ₁	b	d ₂	d ₃	d ₄	h	k	l ₁	l ₂	m	s	For d ₃	g
GN 276-B20-OZ-1-*	B 20	40	8.5	M 8	M 8	20	42.5	92	52	72	13	GN 911-M8-32	210
GN 276-B25-OZ-1-*	B 25	40	8.5	M 8	M 8	20	42.5	92	52	72	13	GN 911-M8-32	185
GN 276-B30-OZ-1-*	B 30	40	8.5	M 8	M 8	20	42.5	92	52	72	13	GN 911-M8-32	160
GN 276-B40-OZ-1-*	B 40	65	10.5	M 10	M 10	32.5	74	148	78	115	17	GN 911-M10-55	775
GN 276-B42-OZ-1-*	B 42	65	10.5	M 10	M 10	32.5	74	148	78	115	17	GN 911-M10-55	750
GN 276-B45-OZ-1-*	B 45	65	10.5	M 10	M 10	32.5	74	148	78	115	17	GN 911-M10-55	725
GN 276-B48-OZ-1-*	B 48	65	10.5	M 10	M 10	32.5	74	148	78	115	17	GN 911-M10-55	675
GN 276-B50-OZ-1-*	B 50	65	10.5	M 10	M 10	32.5	74	148	78	115	17	GN 911-M10-55	650
GN 276-B20-MZ-1-*	B 20	40	8.5	M 8	M 8	20	42.5	92	52	72	13	GN 911-M8-32	210
GN 276-B25-MZ-1-*	B 25	40	8.5	M 8	M 8	20	42.5	92	52	72	13	GN 911-M8-32	190
GN 276-B30-MZ-1-*	B 30	40	8.5	M 8	M 8	20	42.5	92	52	72	13	GN 911-M8-32	160
GN 276-B40-MZ-1-*	B 40	65	10.5	M 10	M 10	32.5	74	148	78	115	17	GN 911-M10-55	765
GN 276-B42-MZ-1-*	B 42	65	10.5	M 10	M 10	32.5	74	148	78	115	17	GN 911-M10-55	755
GN 276-B45-MZ-1-*	B 45	65	10.5	M 10	M 10	32.5	74	148	78	115	17	GN 911-M10-55	705
GN 276-B48-MZ-1-*	B 48	65	10.5	M 10	M 10	32.5	74	148	78	115	17	GN 911-M10-55	665
GN 276-B50-MZ-1-*	B 50	65	10.5	M 10	M 10	32.5	74	148	78	115	17	GN 911-M10-55	630
GN 276-B20-AV-1-*	B 20	40	8.5	M 8	M 8	20	42.5	92	52	72	13	GN 911-M8-32	210
GN 276-B25-AV-1-*	B 25	40	8.5	M 8	M 8	20	42.5	92	52	72	13	GN 911-M8-32	190
GN 276-B30-AV-1-*	B 30	40	8.5	M 8	M 8	20	42.5	92	52	72	13	GN 911-M8-32	165
GN 276-B40-AV-1-*	B 40	65	10.5	M 10	M 10	32.5	74	148	78	115	17	GN 911-M10-55	770
GN 276-B42-AV-1-*	B 42	65	10.5	M 10	M 10	32.5	74	148	78	115	17	GN 911-M10-55	755
GN 276-B45-AV-1-*	B 45	65	10.5	M 10	M 10	32.5	74	148	78	115	17	GN 911-M10-55	715
GN 276-B48-AV-1-*	B 48	65	10.5	M 10	M 10	32.5	74	148	78	115	17	GN 911-M10-55	665
GN 276-B50-AV-1-*	B 50	65	10.5	M 10	M 10	32.5	74	148	78	115	17	GN 911-M10-55	660
GN 276-B20-IV-1-*	B 20	40	8.5	M 8	M 8	20	42.5	92	52	72	13	GN 911-M8-32	200
GN 276-B25-IV-1-*	B 25	40	8.5	M 8	M 8	20	42.5	92	52	72	13	GN 911-M8-32	180
GN 276-B30-IV-1-*	B 30	40	8.5	M 8	M 8	20	42.5	92	52	72	13	GN 911-M8-32	155
GN 276-B40-IV-1-*	B 40	65	10.5	M 10	M 10	32.5	74	148	78	115	17	GN 911-M10-55	760
GN 276-B42-IV-1-*	B 42	65	10.5	M 10	M 10	32.5	74	148	78	115	17	GN 911-M10-55	740
GN 276-B45-IV-1-*	B 45	65	10.5	M 10	M 10	32.5	74	148	78	115	17	GN 911-M10-55	700
GN 276-B48-IV-1-*	B 48	65	10.5	M 10	M 10	32.5	74	148	78	115	17	GN 911-M10-55	655
GN 276-B50-IV-1-*	B 50	65	10.5	M 10	M 10	32.5	74	148	78	115	17	GN 911-M10-55	650
GN 276-B20-OZ-2-*	B 20	40	8.5	M 8	M 8	20	42.5	92	52	72	13	GN 911-M8-32	210
GN 276-B25-OZ-2-*	B 25	40	8.5	M 8	M 8	20	42.5	92	52	72	13	GN 911-M8-32	185
GN 276-B30-OZ-2-*	B 30	40	8.5	M 8	M 8	20	42.5	92	52	72	13	GN 911-M8-32	160
GN 276-B40-OZ-2-*	B 40	65	10.5	M 10	M 10	32.5	74	148	78	115	17	GN 911-M10-55	775
GN 276-B42-OZ-2-*	B 42	65	10.5	M 10	M 10	32.5	74	148	78	115	17	GN 911-M10-55	750
GN 276-B45-OZ-2-*	B 45	65	10.5	M 10	M 10	32.5	74	148	78	115	17	GN 911-M10-55	725
GN 276-B48-OZ-2-*	B 48	65	10.5	M 10	M 10	32.5	74	148	78	115	17	GN 911-M10-55	675
GN 276-B50-OZ-2-*	B 50	65	10.5	M 10	M 10	32.5	74	148	78	115	17	GN 911-M10-55	650
GN 276-B20-MZ-2-*	B 20	40	8.5	M 8	M 8	20	42.5	92	52	72	13	GN 911-M8-32	210
GN 276-B25-MZ-2-*	B 25	40	8.5	M 8	M 8	20	42.5	92	52	72	13	GN 911-M8-32	190

GN 276-B30-MZ-2-*	B 30	40	8.5	M 8	M 8	20	42.5	92	52	72	13	GN 911-M8-32	160
GN 276-B40-MZ-2-*	B 40	65	10.5	M 10	M 10	32.5	74	148	78	115	17	GN 911-M10-55	765
GN 276-B42-MZ-2-*	B 42	65	10.5	M 10	M 10	32.5	74	148	78	115	17	GN 911-M10-55	755
GN 276-B45-MZ-2-*	B 45	65	10.5	M 10	M 10	32.5	74	148	78	115	17	GN 911-M10-55	705
GN 276-B48-MZ-2-*	B 48	65	10.5	M 10	M 10	32.5	74	148	78	115	17	GN 911-M10-55	665
GN 276-B50-MZ-2-*	B 50	65	10.5	M 10	M 10	32.5	74	148	78	115	17	GN 911-M10-55	630
GN 276-B20-AV-2-*	B 20	40	8.5	M 8	M 8	20	42.5	92	52	72	13	GN 911-M8-32	210
GN 276-B25-AV-2-*	B 25	40	8.5	M 8	M 8	20	42.5	92	52	72	13	GN 911-M8-32	190
GN 276-B30-AV-2-*	B 30	40	8.5	M 8	M 8	20	42.5	92	52	72	13	GN 911-M8-32	165
GN 276-B40-AV-2-*	B 40	65	10.5	M 10	M 10	32.5	74	148	78	115	17	GN 911-M10-55	770
GN 276-B42-AV-2-*	B 42	65	10.5	M 10	M 10	32.5	74	148	78	115	17	GN 911-M10-55	755
GN 276-B45-AV-2-*	B 45	65	10.5	M 10	M 10	32.5	74	148	78	115	17	GN 911-M10-55	715
GN 276-B48-AV-2-*	B 48	65	10.5	M 10	M 10	32.5	74	148	78	115	17	GN 911-M10-55	665
GN 276-B50-AV-2-*	B 50	65	10.5	M 10	M 10	32.5	74	148	78	115	17	GN 911-M10-55	660
GN 276-B20-IV-2-*	B 20	40	8.5	M 8	M 8	20	42.5	92	52	72	13	GN 911-M8-32	200
GN 276-B25-IV-2-*	B 25	40	8.5	M 8	M 8	20	42.5	92	52	72	13	GN 911-M8-32	180
GN 276-B30-IV-2-*	B 30	40	8.5	M 8	M 8	20	42.5	92	52	72	13	GN 911-M8-32	155
GN 276-B40-IV-2-*	B 40	65	10.5	M 10	M 10	32.5	74	148	78	115	17	GN 911-M10-55	760
GN 276-B42-IV-2-*	B 42	65	10.5	M 10	M 10	32.5	74	148	78	115	17	GN 911-M10-55	740
GN 276-B45-IV-2-*	B 45	65	10.5	M 10	M 10	32.5	74	148	78	115	17	GN 911-M10-55	700
GN 276-B48-IV-2-*	B 48	65	10.5	M 10	M 10	32.5	74	148	78	115	17	GN 911-M10-55	655
GN 276-B50-IV-2-*	B 50	65	10.5	M 10	M 10	32.5	74	148	78	115	17	GN 911-M10-55	650

* Complete the description of the standard item needed by adding the finish of the connector clamps: BL (blank) or SW (black).



STANDARD MACHINE ELEMENTS WORLDWIDE