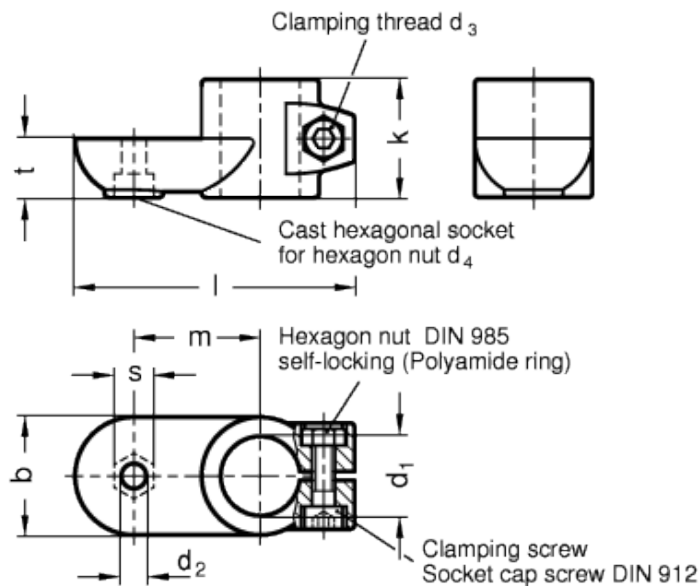


# GN 274

Pivoting connecting clamps

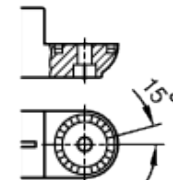
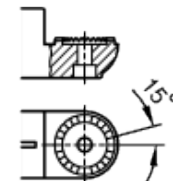


Type **OZ**  
without centring step



Type **MZ**  
with centring step

Type **AV**  
with male serration



Type **IV**  
with female serration



## technical informations

**Material**  
Aluminium.

## Finish

- Version SW: RAL 9005 black colour, matte finish, epoxy resin coating.
- Version BL: blank, matte shot-blasted.

## Types

- Type OZ without centring step.
- Type MZ with centring step.
- Type AV with male serration.

- Type IV with female serration.

### Clamping screws

- Identification no. 1: with clamping screw DIN 912 and nut DIN 985, zinc-plated.
- Identification no. 2: with AISI 304 stainless steel-clamping screw DIN 912 and nut DIN 985.

### Assembly

The standard clamping bolts are socket cap screws DIN 912, supplied assembled. They can be replaced by clamping kits GN 911 (description see table of dimensions).

### Features and applications

Swivel clamp connectors GN 274 can be assembled with swivel clamp connectors GN 272, GN 276 or GN 278 to create swivel clamp connector joints.

The clamping bore of the swivel clamp connectors GN 274 is machined and designed for construction tubings GN 990 or DIN 2391, DIN 2395 and DIN 2462 respectively.

### Accessories

- Tubings [GN 990](#).
- Clamping kits [GN 911](#) (clamping handles GN 300.1 with distance bushing).

Standard Elements	Main dimensions										Clamping kits	Weight
Description	d <sub>1</sub>	b	d <sub>2</sub>	d <sub>3</sub>	d <sub>4</sub>	k	l	m	s	t	For d <sub>3</sub>	g
GN 274-B20-OZ-1-*	B 20	40	8.5	M 8	M 8	40	95	43	13	20	GN 911-M8-32	190
GN 274-B25-OZ-1-*	B 25	40	8.5	M 8	M 8	40	95	43	13	20	GN 911-M8-32	170
GN 274-B30-OZ-1-*	B 30	40	8.5	M 8	M 8	40	95	43	13	20	GN 911-M8-32	150
GN 274-B40-OZ-1-*	B 40	65	10.5	M 10	M 10	65	148	70	17	32.5	GN 911-M10-55	710
GN 274-B42-OZ-1-*	B 42	65	10.5	M 10	M 10	65	148	70	17	32.5	GN 911-M10-55	685
GN 274-B45-OZ-1-*	B 45	65	10.5	M 10	M 10	65	148	70	17	32.5	GN 911-M10-55	650
GN 274-B48-OZ-1-*	B 48	65	10.5	M 10	M 10	65	148	70	17	32.5	GN 911-M10-55	610
GN 274-B50-OZ-1-*	B 50	65	10.5	M 10	M 10	65	148	70	17	32.5	GN 911-M10-55	585
GN 274-B20-MZ-1-*	B 20	40	8.5	M 8	M 8	40	95	43	13	20	GN 911-M8-32	190
GN 274-B25-MZ-1-*	B 25	40	8.5	M 8	M 8	40	95	43	13	20	GN 911-M8-32	170
GN 274-B30-MZ-1-*	B 30	40	8.5	M 8	M 8	40	95	43	13	20	GN 911-M8-32	150
GN 274-B40-MZ-1-*	B 40	65	10.5	M 10	M 10	65	148	70	17	32.5	GN 911-M10-55	700
GN 274-B42-MZ-1-*	B 42	65	10.5	M 10	M 10	65	148	70	17	32.5	GN 911-M10-55	690
GN 274-B45-MZ-1-*	B 45	65	10.5	M 10	M 10	65	148	70	17	32.5	GN 911-M10-55	655
GN 274-B48-MZ-1-*	B 48	65	10.5	M 10	M 10	65	148	70	17	32.5	GN 911-M10-55	615
GN 274-B50-MZ-1-*	B 50	65	10.5	M 10	M 10	65	148	70	17	32.5	GN 911-M10-55	585
GN 274-B20-AV-1-*	B 20	40	8.5	M 8	M 8	40	95	43	13	20	GN 911-M8-32	185
GN 274-B25-AV-1-*	B 25	40	8.5	M 8	M 8	40	95	43	13	20	GN 911-M8-32	170
GN 274-B30-AV-1-*	B 30	40	8.5	M 8	M 8	40	95	43	13	20	GN 911-M8-32	150
GN 274-B40-AV-1-*	B 40	65	10.5	M 10	M 10	65	148	70	17	32.5	GN 911-M10-55	710
GN 274-B42-AV-1-*	B 42	65	10.5	M 10	M 10	65	148	70	17	32.5	GN 911-M10-55	690
GN 274-B45-AV-1-*	B 45	65	10.5	M 10	M 10	65	148	70	17	32.5	GN 911-M10-55	655
GN 274-B48-AV-1-*	B 48	65	10.5	M 10	M 10	65	148	70	17	32.5	GN 911-M10-55	620
GN 274-B50-AV-1-*	B 50	65	10.5	M 10	M 10	65	148	70	17	32.5	GN 911-M10-55	585
GN 274-B20-IV-1-*	B 20	40	8.5	M 8	M 8	40	95	43	13	20	GN 911-M8-32	180
GN 274-B25-IV-1-*	B 25	40	8.5	M 8	M 8	40	95	43	13	20	GN 911-M8-32	160
GN 274-B30-IV-1-*	B 30	40	8.5	M 8	M 8	40	95	43	13	20	GN 911-M8-32	140
GN 274-B40-IV-1-*	B 40	65	10.5	M 10	M 10	65	148	70	17	32.5	GN 911-M10-55	690
GN 274-B42-IV-1-*	B 42	65	10.5	M 10	M 10	65	148	70	17	32.5	GN 911-M10-55	665
GN 274-B45-IV-1-*	B 45	65	10.5	M 10	M 10	65	148	70	17	32.5	GN 911-M10-55	635
GN 274-B48-IV-1-*	B 48	65	10.5	M 10	M 10	65	148	70	17	32.5	GN 911-M10-55	600
GN 274-B50-IV-1-*	B 50	65	10.5	M 10	M 10	65	148	70	17	32.5	GN 911-M10-55	570
GN 274-B20-OZ-2-*	B 20	40	8.5	M 8	M 8	40	95	43	13	20	GN 911-M8-32	190
GN 274-B25-OZ-2-*	B 25	40	8.5	M 8	M 8	40	95	43	13	20	GN 911-M8-32	170
GN 274-B30-OZ-2-*	B 30	40	8.5	M 8	M 8	40	95	43	13	20	GN 911-M8-32	150
GN 274-B40-OZ-2-*	B 40	65	10.5	M 10	M 10	65	148	70	17	32.5	GN 911-M10-55	710
GN 274-B42-OZ-2-*	B 42	65	10.5	M 10	M 10	65	148	70	17	32.5	GN 911-M10-55	685
GN 274-B45-OZ-2-*	B 45	65	10.5	M 10	M 10	65	148	70	17	32.5	GN 911-M10-55	650
GN 274-B48-OZ-2-*	B 48	65	10.5	M 10	M 10	65	148	70	17	32.5	GN 911-M10-55	610
GN 274-B50-OZ-2-*	B 50	65	10.5	M 10	M 10	65	148	70	17	32.5	GN 911-M10-55	585
GN 274-B20-MZ-2-*	B 20	40	8.5	M 8	M 8	40	95	43	13	20	GN 911-M8-32	190
GN 274-B25-MZ-2-*	B 25	40	8.5	M 8	M 8	40	95	43	13	20	GN 911-M8-32	170

GN 274-B30-MZ-2-*	B 30	40	8.5	M 8	M 8	40	95	43	13	20	GN 911-M8-32	150
GN 274-B40-MZ-2-*	B 40	65	10.5	M 10	M 10	65	148	70	17	32.5	GN 911-M10-55	700
GN 274-B42-MZ-2-*	B 42	65	10.5	M 10	M 10	65	148	70	17	32.5	GN 911-M10-55	690
GN 274-B45-MZ-2-*	B 45	65	10.5	M 10	M 10	65	148	70	17	32.5	GN 911-M10-55	655
GN 274-B48-MZ-2-*	B 48	65	10.5	M 10	M 10	65	148	70	17	32.5	GN 911-M10-55	615
GN 274-B50-MZ-2-*	B 50	65	10.5	M 10	M 10	65	148	70	17	32.5	GN 911-M10-55	585
GN 274-B20-AV-2-*	B 20	40	8.5	M 8	M 8	40	95	43	13	20	GN 911-M8-32	185
GN 274-B25-AV-2-*	B 25	40	8.5	M 8	M 8	40	95	43	13	20	GN 911-M8-32	170
GN 274-B30-AV-2-*	B 30	40	8.5	M 8	M 8	40	95	43	13	20	GN 911-M8-32	150
GN 274-B40-AV-2-*	B 40	65	10.5	M 10	M 10	65	148	70	17	32.5	GN 911-M10-55	710
GN 274-B42-AV-2-*	B 42	65	10.5	M 10	M 10	65	148	70	17	32.5	GN 911-M10-55	690
GN 274-B45-AV-2-*	B 45	65	10.5	M 10	M 10	65	148	70	17	32.5	GN 911-M10-55	655
GN 274-B48-AV-2-*	B 48	65	10.5	M 10	M 10	65	148	70	17	32.5	GN 911-M10-55	620
GN 274-B50-AV-2-*	B 50	65	10.5	M 10	M 10	65	148	70	17	32.5	GN 911-M10-55	585
GN 274-B20-IV-2-*	B 20	40	8.5	M 8	M 8	40	95	43	13	20	GN 911-M8-32	180
GN 274-B25-IV-2-*	B 25	40	8.5	M 8	M 8	40	95	43	13	20	GN 911-M8-32	160
GN 274-B30-IV-2-*	B 30	40	8.5	M 8	M 8	40	95	43	13	20	GN 911-M8-32	140
GN 274-B40-IV-2-*	B 40	65	10.5	M 10	M 10	65	148	70	17	32.5	GN 911-M10-55	690
GN 274-B42-IV-2-*	B 42	65	10.5	M 10	M 10	65	148	70	17	32.5	GN 911-M10-55	665
GN 274-B45-IV-2-*	B 45	65	10.5	M 10	M 10	65	148	70	17	32.5	GN 911-M10-55	635
GN 274-B48-IV-2-*	B 48	65	10.5	M 10	M 10	65	148	70	17	32.5	GN 911-M10-55	200
GN 274-B50-IV-2-*	B 50	65	10.5	M 10	M 10	65	148	70	17	32.5	GN 911-M10-55	570

\* Complete the description of the standard item needed by adding the finish of the connector clamps: BL (blank) or SW (black).



STANDARD MACHINE ELEMENTS WORLDWIDE