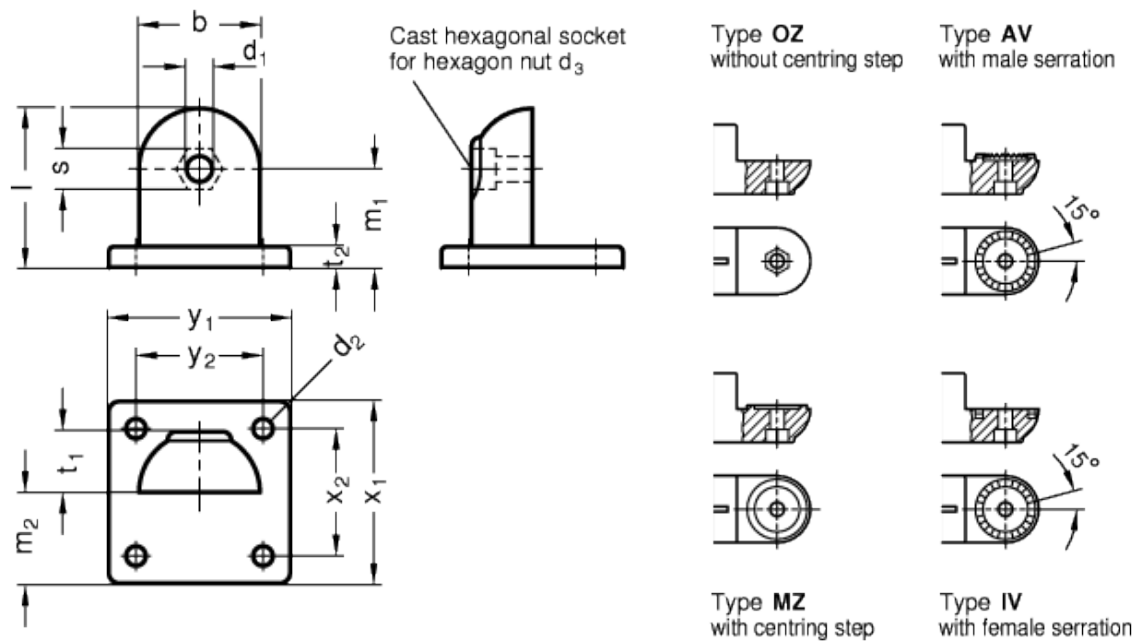


# GN 272

Pivoting connecting clamp bases



## technical informations

### Material

Aluminium.

### Finish

- Version SW: RAL 9005 black colour, matte finish, epoxy resin coating.
- Version BL: blank, matte shot-blasted.

### Types

- Type OZ without centring step.

- Type MZ with centring step.
- Type AV with male serration.
- Type IV with female serration.

### Features and applications

Swivel clamp connector bases GN 272 can be assembled with the swivel clamp connectors GN 274, GN 276 or GN 278 to create swivel clamp connector joints.

Standard Elements	Main dimensions														Weight
Description	b	d <sub>1</sub>	d <sub>2</sub>	d <sub>3</sub>	l	m <sub>1</sub>	m <sub>2</sub>	t <sub>1</sub>	t <sub>2</sub>	s	x <sub>1</sub>	x <sub>2</sub>	y <sub>1</sub>	y <sub>2</sub>	g
GN 272-40-OZ-SW	40	8.5	6.5	M 8	52.5	32.5	30	20	7	13	60	42	60	42	120
GN 272-40-OZ-BL	40	8.5	6.5	M 8	52.5	32.5	30	20	7	13	60	42	60	42	120
GN 272-40-MZ-SW	40	8.5	6.5	M 8	52.5	32.5	30	20	7	13	60	42	60	42	120
GN 272-40-MZ-BL	40	8.5	6.5	M 8	52.5	32.5	30	20	7	13	60	42	60	42	120
GN 272-40-AV-SW	40	8.5	6.5	M 8	52.5	32.5	30	20	7	13	60	42	60	42	120
GN 272-40-AV-BL	40	8.5	6.5	M 8	52.5	32.5	30	20	7	13	60	42	60	42	120
GN 272-40-IV-SW	40	8.5	6.5	M 8	52.5	32.5	30	20	7	13	60	42	60	42	110
GN 272-40-IV-BL	40	8.5	6.5	M 8	52.5	32.5	30	20	7	13	60	42	60	42	110
GN 272-65-OZ-SW	65	10.2	11	M 10	84.5	52	52.5	32.5	14	17	105	74	105	74	555
GN 272-65-OZ-BL	65	10.2	11	M 10	84.5	52	52.5	32.5	14	17	105	74	105	74	555
GN 272-65-MZ-SW	65	10.2	11	M 10	84.5	52	52.5	32.5	14	17	105	74	105	74	555
GN 272-65-MZ-BL	65	10.2	11	M 10	84.5	52	52.5	32.5	14	17	105	74	105	74	555
GN 272-65-AV-SW	65	10.2	11	M 10	84.5	52	52.5	32.5	14	17	105	74	105	74	555
GN 272-65-AV-BL	65	10.2	11	M 10	84.5	52	52.5	32.5	14	17	105	74	105	74	555
GN 272-65-IV-SW	65	10.2	11	M 10	84.5	52	52.5	32.5	14	17	105	74	105	74	535
GN 272-65-IV-BL	65	10.2	11	M 10	84.5	52	52.5	32.5	14	17	105	74	105	74	535



STANDARD MACHINE ELEMENTS WORLDWIDE