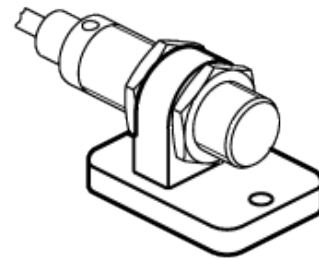
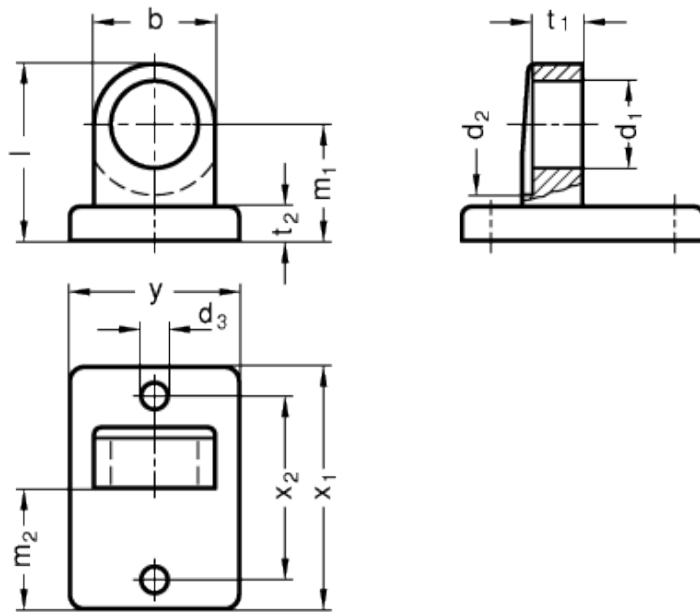
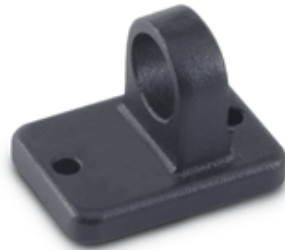


# GN 271.4

Sensor holders



technical informations

**Material**  
Aluminium.

**Finish**

Version SW: RAL 9005 black colour, matte finish, epoxy resin coating.

Standard Elements	Main dimensions												Weight
Description	d <sub>1</sub>	b	d <sub>2</sub>	d <sub>3</sub>	l	m <sub>1</sub>	m <sub>2</sub>	t <sub>1-0.5</sub>	t <sub>2</sub>	x <sub>1</sub>	x <sub>2</sub>	y	g
GN 271.4-B12-25-SW	B 12	25	B 30	5.5	36.5	24	25	11.5	7	50	38	35	40
GN 271.4-B18-25-SW	B 18	25	B 30	5.5	36.5	24	25	11.5	7	50	38	35	38



STANDARD MACHINE ELEMENTS WORLDWIDE