

## Stainless Steel-Cranked handles

### SPECIFICATION

Body

- Stainless Steel precision die casting
- AISI CF-8
- Face of the hub machined

Revolving handles

Plastic, Duroplast  
black, shiny finish

Spindle

Stainless Steel AISI 304

### INFORMATION

Stainless Steel-Cranked handles GN 269 have been designed to comply with stringent hygiene requirements.

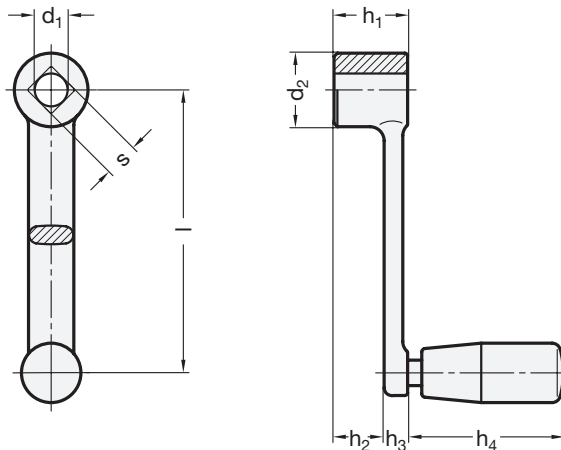
The cylindrical handles are made of thermoset material which in general provides good stability when exposed to chemicals.

### ON REQUEST

- Stainless Steel-Cranked handles with retractable handle GN 798.5 (see page 586)

### TECHNICAL INFORMATION

- Square DIN 79 (see page A16)
- Cross holes GN 110 (see page A17)
- Stainless Steel characteristics (see page A26)
- Plastic characteristics (see page A2)



### GN 269

STAINLESS STEEL

Description	l	d1 H9	s H11	d2	h1	h2 ≈	h3	h4 ≈	Ø Handle	⚖
GN 269-80-B10	80	B 10	-	22	22	15.4	6.6	45	18	127
GN 269-80-V10	80	-	V 10	22	22	15.4	6.6	45	18	124
GN 269-100-B12	100	B 12	-	26	26	17.7	8.3	55	21	200
GN 269-100-V12	100	-	V 12	26	26	17.7	8.3	55	21	187
GN 269-125-B14	125	B 14	-	28	28	18.8	9.2	71	23	305
GN 269-125-V14	125	-	V 14	28	28	18.8	9.2	71	23	291
GN 269-160-B17	160	B 17	-	32	32	22.6	9.4	71	23	396
GN 269-160-V17	160	-	V 17	32	32	22.6	9.4	71	23	372
GN 269-200-B19	200	B19	-	38	38	28	9.4	71	23	540
GN 269-200-V19	200	-	V19	38	38	28	9.4	71	23	510

