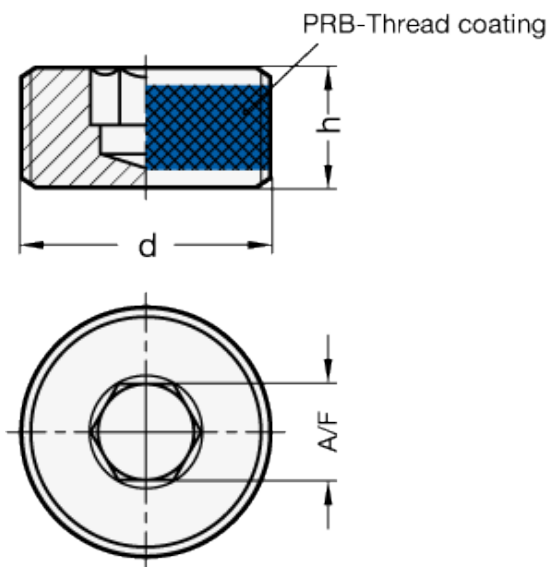
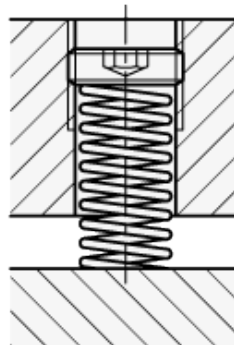


GN 252

Blanking plugs



Example for application



technical informations

Specification

Type

- Type A: without micro encapsulation
- Type PRB: with thread coating (polyamide allround coating)

Steel

- Tensile strength class 5.8 (500N/mm²)
- blackened

Information

The thread locking PRB (Polyamide allround coating) is a clamping lock which prevents the locking screw from being inadvertently being loosened and becoming detached.

Standard Elements	Main dimensions			Weight
Description	d	h	A/F	g

GN 252-M12x1.5-A	M 12x1.5	10	6	6
GN 252-M16x1.5-A	M 16x1.5	10	8	14
GN 252-M20x1.5-A	M 20x1.5	12	10	20
GN 252-M24x1.5-A	M 24x1.5	12	14	24
GN 252-M27x1.5-A	M 27x1.5	12	14	36
GN 252-M30x1.5-A	M 30x1.5	12	17	44
GN 252-M33x1.5-A	M 33x1.5	12	17	56
GN 252-M12x1.5-PRB	M 12x1.5	10	6	6
GN 252-M16x1.5-PRB	M 16x1.5	10	8	14
GN 252-M20x1.5-PRB	M 20x1.5	12	10	20
GN 252-M24x1.5-PRB	M 24x1.5	12	14	24
GN 252-M27x1.5-PRB	M 27x1.5	12	14	36
GN 252-M30x1.5-PRB	M 30x1.5	12	17	44
GN 252-M33x1.5-PRB	M 33x1.5	12	17	56



STANDARD MACHINE ELEMENTS WORLDWIDE