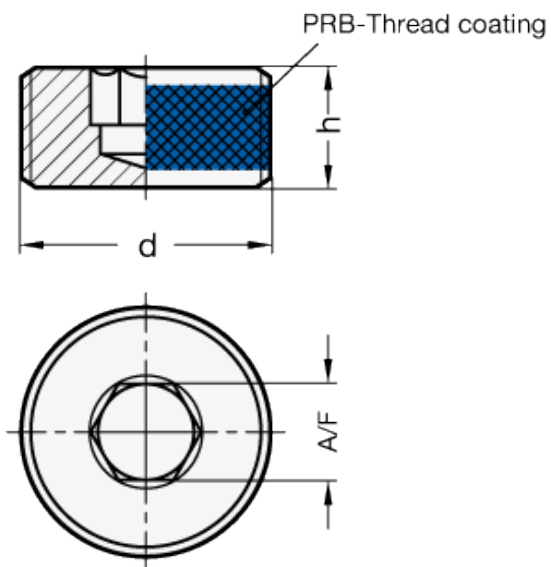
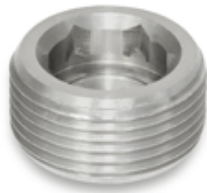


# GN 252.5

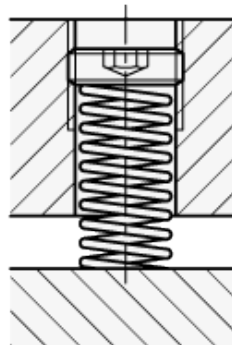
Blanking plugs



INOX  
Stainless Steel



Example for application



technical informations

## Specification

Type

- Type A: without micro encapsulation
- Type PRB: with thread coating (polyamide allround coating)

Stainless Steel AISI 303

## Information

The thread locking PFB (Polyamide allround coating) is a clamping lock which prevents the locking screw from being inadvertently being loosened and becoming detached.

Standard Elements	Main dimensions			Weight
Description	d	h	A/F	g
GN 252.5-M12x1.5-A	M 12x1.5	10	6	6

GN 252.5-M16x1.5-A	M 16x1.5	10	8	14
GN 252.5-M20x1.5-A	M 20x1.5	12	10	20
GN 252.5-M24x1.5-A	M 24x1.5	12	14	24
GN 252.5-M27x1.5-A	M 27x1.5	12	14	36
GN 252.5-M12x1.5-PRB	M 12x1.5	10	6	6
GN 252.5-M16x1.5-PRB	M 16x1.5	10	8	14
GN 252.5-M20x1.5-PRB	M 20x1.5	12	10	20
GN 252.5-M24x1.5-PRB	M 24x1.5	12	14	24
GN 252.5-M27x1.5-PRB	M 27x1.5	12	14	36

---



STANDARD MACHINE ELEMENTS WORLDWIDE