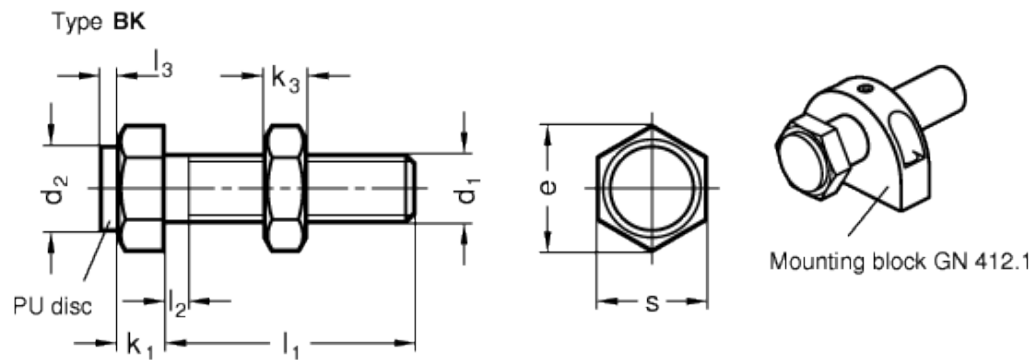


# GN 251

Setting bolts, Type BK



## technical informations

### Material

Nickel plated steel bolt with Polyurethan disc.

### Locking nut

Steel, zinc-plated, blue passivated.

### Standard versions available

Type BK: Locating surface with Polyurethan disc, 90 Shore.

### Features and Applications

Setting bolts GN 251 can be used as support or setting bolt as an end stop.  
The version with Polyurethan disc functions as damping element or protection for sensitive surfaces.

Standard Elements	Main dimensions									Weight
	Description	d <sub>1</sub>	l <sub>1</sub>	d <sub>2</sub>	e	k <sub>1</sub>	k <sub>3</sub>	l <sub>2 max.</sub>	l <sub>3</sub>	
GN 251-M4-15-BK	M4	15	5	8.1	2.8	2.4	2.1	1.5	7	2
GN 251-M4-20-BK	M4	20	5	8.1	2.8	2.4	2.1	1.5	7	3
GN 251-M4-25-BK	M4	25	5	8.1	2.8	2.4	2.1	1.5	7	3
GN 251-M4-30-BK	M4	30	5	8.1	2.8	2.4	2.1	1.5	7	3
GN 251-M4-35-BK	M4	35	5	8.1	2.8	2.4	2.1	1.5	7	4
GN 251-M4-40-BK	M4	40	5	8.1	2.8	2.4	2.1	1.5	7	4
GN 251-M5-15-BK	M5	15	6	9.2	3.5	3.2	2.4	1.5	8	4
GN 251-M5-20-BK	M5	20	6	9.2	3.5	3.2	2.4	1.5	8	4
GN 251-M5-25-BK	M5	25	6	9.2	3.5	3.2	2.4	1.5	8	5
GN 251-M5-30-BK	M5	30	6	9.2	3.5	3.2	2.4	1.5	8	6
GN 251-M5-35-BK	M5	35	6	9.2	3.5	3.2	2.4	1.5	8	6
GN 251-M5-40-BK	M5	40	6	9.2	3.5	3.2	2.4	1.5	8	8
GN 251-M6-20-BK	M6	20	8	11.5	4	3.6	3	2	10	8
GN 251-M6-25-BK	M6	25	8	11.5	4	3.6	3	2	10	8
GN 251-M6-30-BK	M6	30	8	11.5	4	3.6	3	2	10	9
GN 251-M6-35-BK	M6	35	8	11.5	4	3.6	3	2	10	9
GN 251-M6-40-BK	M6	40	8	11.5	4	3.6	3	2	10	10
GN 251-M6-45-BK	M6	45	8	11.5	4	3.6	3	2	10	11
GN 251-M6-50-BK	M6	50	8	11.5	4	3.6	3	2	10	12
GN 251-M8-20-BK	M8	20	10	15	5.5	5	3.7	2	13	15
GN 251-M8-25-BK	M8	25	10	15	5.5	5	3.7	2	13	16
GN 251-M8-30-BK	M8	30	10	15	5.5	5	3.7	2	13	18
GN 251-M8-35-BK	M8	35	10	15	5.5	5	3.7	2	13	20
GN 251-M8-40-BK	M8	40	10	15	5.5	5	3.7	2	13	21
GN 251-M8-45-BK	M8	45	10	15	5.5	5	3.7	2	13	23
GN 251-M8-50-BK	M8	50	10	15	5.5	5	3.7	2	13	24
GN 251-M10-20-BK	M10	20	13	19.6	7	6	4.5	2	17	29
GN 251-M10-25-BK	M10	25	13	19.6	7	6	4.5	2	17	31
GN 251-M10-30-BK	M10	30	13	19.6	7	6	4.5	2	17	34
GN 251-M10-35-BK	M10	35	13	19.6	7	6	4.5	2	17	36
GN 251-M10-40-BK	M10	40	13	19.6	7	6	4.5	2	17	39
GN 251-M10-45-BK	M10	45	13	19.6	7	6	4.5	2	17	41
GN 251-M10-50-BK	M10	50	13	19.6	7	6	4.5	2	17	43



STANDARD MACHINE ELEMENTS WORLDWIDE