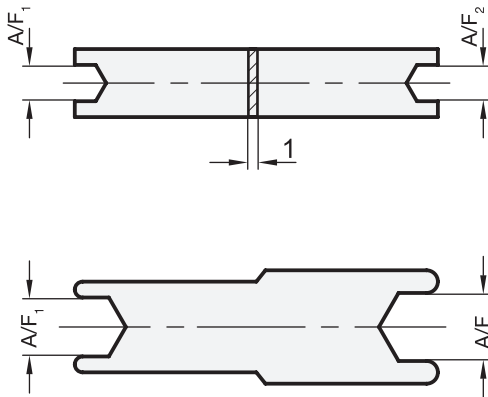


Open-End Wrenches

for Cam Roller Carriages GN 2424 / GN 2494
and Cam Rollers GN 2426 / GN 2496

SPECIFICATION

Steel
Zinc plated



Description	A/F1	A/F2	Suitable for Cam Roller Carriages and Cam Rollers	⚖
GN 2424.1-8-8	8	8	GN 2424, GN 2426	10
GN 2424.1-13-15	13	15	GN 2424, GN 2494, GN 2426, GN 2496	14