

## Hinges

Zinc die casting / Stainless Steel / Aluminium

### SPECIFICATION

#### Types

- Type **A**: 2x2 bores for countersunk screws
- Type **C**: 2x2 threaded studs

#### Version in Zinc die casting

Zinc die casting **ZD**

plastic coated

- black, RAL 9005, textured finish **SW**
- silver, RAL 9006, textured finish **SR**
- chrome-plated **CR**

Pin, Stainless Steel AISI 303

Threaded stud (Type C), Stainless Steel AISI 316

#### Version in Stainless Steel

- AISI CF-8 **NI**
- German Material No. 1.4408 **A4**
- matt shot-blasted **GS**

Pin, Stainless Steel AISI 316Ti

Threaded stud (Type C), Stainless Steel AISI 316 for ZD and AL  
Stainless Steel AISI CF-8, casted "in one piece"

#### Version in Aluminium

Aluminium **AL**

anodized, natural colour **EL**

Pin, Stainless Steel AISI 316Ti

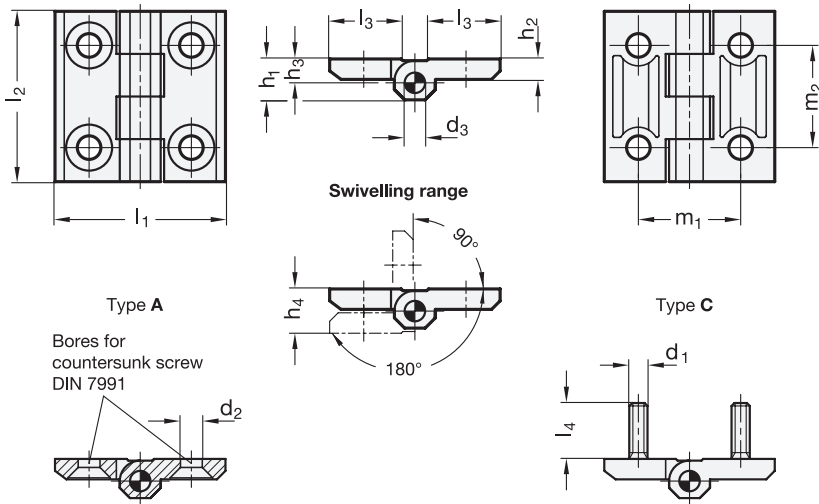
Threaded stud (Type C), Stainless Steel AISI 316

### INFORMATION

GN 237 hinges are characterized by their compact and stable design. The various material and surface choices in combination with two mounting types enable very specific applications.

### TECHNICAL INFORMATION

- Stainless Steel characteristics (see page A26)
- Load rating information of hinges (see page A40)
- List of hinges types (see page 1362)



## GN 237-ZD

Description	l1	l2	d1	d2	d3	h1	h2	h3	h4 +0.5	l3	l4	m1	m2	⚖
GN 237-ZD-30-30-A-SW	30	30	-	4.3	3	7.5	4	4.5	8.5	10.7	-	18	18	19
GN 237-ZD-30-30-A-SR	30	30	-	4.3	3	7.5	4	4.5	8.5	10.7	-	18	18	19
GN 237-ZD-30-30-A-CR	30	30	-	4.3	3	7.5	4	4.5	8.5	10.7	-	18	18	19
GN 237-ZD-40-40-A-SW	40	40	-	5.3	4	9	5	5.5	11	14	-	25	25	42
GN 237-ZD-40-40-A-SR	40	40	-	5.3	4	9	5	5.5	11	14	-	25	25	45
GN 237-ZD-40-40-A-CR	40	40	-	5.3	4	9	5	5.5	11	14	-	25	25	50
GN 237-ZD-40-40-C-SW	40	40	M 5	-	4	9	5	5.5	11	14	12	25	25	59
GN 237-ZD-40-40-C-SR	40	40	M 5	-	4	9	5	5.5	11	14	12	25	25	59
GN 237-ZD-40-40-C-CR	40	40	M 5	-	4	9	5	5.5	11	14	12	25	25	69
GN 237-ZD-50-50-A-SW	50	50	-	6.4	6	11.5	6	6.5	13	18.5	-	30	30	87
GN 237-ZD-50-50-A-SR	50	50	-	6.4	6	11.5	6	6.5	13	18.5	-	30	30	89
GN 237-ZD-50-50-A-CR	50	50	-	6.4	6	11.5	6	6.5	13	18.5	-	30	30	87
GN 237-ZD-50-50-C-SW	50	50	M 6	-	6	11.5	6	6.5	13	18.5	12	30	30	102
GN 237-ZD-50-50-C-SR	50	50	M 6	-	6	11.5	6	6.5	13	18.5	12	30	30	103
GN 237-ZD-50-50-C-CR	50	50	M 6	-	6	11.5	6	6.5	13	18.5	12	30	30	102
GN 237-ZD-60-60-A-SW	60	60	-	8.3	8	15	8	8.5	17	21.5	-	36	36	160
GN 237-ZD-60-60-A-SR	60	60	-	8.3	8	15	8	8.5	17	21.5	-	36	36	160
GN 237-ZD-60-60-A-CR	60	60	-	8.3	8	15	8	8.5	17	21.5	-	36	36	164
GN 237-ZD-60-60-C-SW	60	60	M 8	-	8	15	8	8.5	17	21.5	14	36	36	200
GN 237-ZD-60-60-C-SR	60	60	M 8	-	8	15	8	8.5	17	21.5	14	36	36	190
GN 237-ZD-60-60-C-CR	60	60	M 8	-	8	15	8	8.5	17	21.5	14	36	36	194

## GN 237-AL

Description	l1	l2	d2	d3	h1	h2	h3	h4 +0.5	l3	m1	m2	⚖
GN 237-AL-30-30-A-EL	30	30	4.3	3	7.5	4	4.5	8.5	10.7	18	18	11
GN 237-AL-40-40-A-EL	40	40	5.3	4	9	5	5.5	11	14	25	25	24
GN 237-AL-50-50-A-EL	50	50	6.4	6	11.5	6	6.5	13	18.5	30	30	48
GN 237-AL-60-60-A-EL	60	60	8.3	8	15	8	8.5	17	21.5	36	36	90

## GN 237-A4

STAINLESS STEEL

Description	l1	l2	d2	d3	h1	h2	h3	h4 +0.5	l3	m1	m2	⚖
GN 237-A4-30-30-A-GS	30	30	4.3	3	7.5	4	4.5	8.5	10.7	18	18	23
GN 237-A4-40-40-A-GS	40	40	5.3	4	9	5	5.5	11	16	25	25	57
GN 237-A4-50-50-A-GS	50	50	6.4	6	11.5	6	6.5	13	21	30	30	110
GN 237-A4-60-60-A-GS	60	60	8.3	8	15	8	8.5	17	26	36	36	200

## GN 237-NI

STAINLESS STEEL

Description	l1	l2	d1	d2	d3	h1	h2	h3	h4 +0.5	l3	l4	m1	m2	⚖
GN 237-NI-30-30-A-GS	30	30	-	4.3	3	7.5	4	4.5	8.5	10.7	-	18	18	25
GN 237-NI-40-40-A-GS	40	40	-	5.3	4	9	5	5.5	11	16	-	25	25	57
GN 237-NI-40-40-C-GS	40	40	M 5	-	4	9	5	5.5	11	16	11	25	25	69
GN 237-NI-50-50-A-GS	50	50	-	6.4	6	11.5	6	6.5	13	21	-	30	30	100
GN 237-NI-50-50-C-GS	50	50	M 6	-	6	11.5	6	6.5	13	21	13	30	30	128
GN 237-NI-60-60-A-GS	60	60	-	8.3	8	15	8	8.5	17	26	-	36	36	180
GN 237-NI-60-60-C-GS	60	60	M 8	-	8	15	8	8.5	17	26	17	36	36	200

