

## Stainless Steel- Heavy duty hinges

### SPECIFICATION

#### Types

- Type **A**: with bores for countersunk screws
- Type **B**: with bores for countersunk screws and centering attachments

#### Stainless Steel **NI**

German Material No. 1.4405

matte shot-blasted **GS**

plastic coated

RAL 9005, textured finish **SW**

Hinge pin

Stainless Steel

- German Material No 1.4542

- tempered

- with special grease lubricated

Shim washers

Stainless Steel AISI 301

- tempered

- with special grease lubricated



### INFORMATION

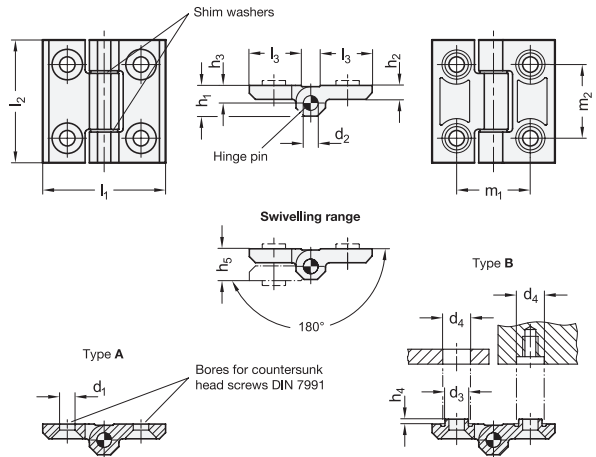
Stainless Steel-Heavy duty hinges GN 237.3 are designed for use under tough conditions and are distinguished by a compact design. The hinge pins are integral and allow the hinges to be used in environments with strong vibrations and shocks.

The selected materials allow the hinges to be used in aggressive environments. Wear is minimized by the effective friction pairing of the hinge components and lubrication.

The type B hinge has centering attachments that prevent lateral slippage under high loads and protect the mounting screws from impermissible transverse force.

### TECHNICAL INFORMATION

- Stainless Steel characteristics (see page A26)
- Load rating information of hinges (see page A40)



### GN 237.3

### STAINLESS STEEL

Description	l1	l2	d1	d2	d3	d4 +0.5	h1	h2	h3	h4	h5	l3	m1	m2	△
GN 237.3-NI-50-50-A-GS	50	50	6.3	6	9.5	10	12.5	6	6.5	2	13	21	30	30	115
GN 237.3-NI-50-50-A-SW	50	50	6.3	6	9.5	10	12.5	6	6.5	2	13	21	30	30	115
GN 237.3-NI-60-60-A-GS	60	60	8.3	8	12.5	13	16	8	8.5	3	17	25.5	36	36	216
GN 237.3-NI-60-60-A-SW	60	60	8.3	8	12.5	13	16	8	8.5	3	17	25.5	36	36	216
GN 237.3-NI-80-80-A-GS	80	80	10.3	10	14.5	15	20	10	10.5	4	21	36	50	50	485
GN 237.3-NI-80-80-A-SW	80	80	10.3	10	14.5	15	20	10	10.5	4	21	36	50	50	485
GN 237.3-NI-50-50-B-GS	50	50	6.3	6	9.5	10	12.5	6	6.5	2	13	21	30	30	115
GN 237.3-NI-50-50-B-SW	50	50	6.3	6	9.5	10	12.5	6	6.5	2	13	21	30	30	115
GN 237.3-NI-60-60-B-GS	60	60	8.3	8	12.5	13	16	8	8.5	3	17	25.5	36	36	315
GN 237.3-NI-60-60-B-SW	60	60	8.3	8	12.5	13	16	8	8.5	3	17	25.5	36	36	315
GN 237.3-NI-80-80-B-GS	80	80	10.3	10	14.5	15	20	10	10.5	4	21	36	50	50	485
GN 237.3-NI-80-80-B-SW	80	80	10.3	10	14.5	15	20	10	10.5	4	21	36	50	50	485