

## Bull's eye levels

adjustable

### SPECIFICATION

#### Sensitivity

Type **30**: Angle minutes, bubble move by 2mm

Housing

Aluminium

anodized, natural colour **ALN**

anodized, black **ALS**

Spirit level element

Glass plastic body

Filling

colourless-transparent **K**

Casting compound

mineral-based

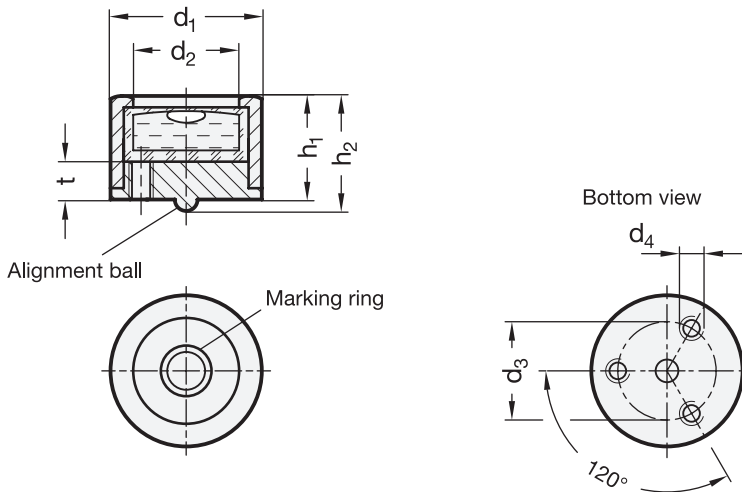
### INFORMATION

Bull's eye levels GN 2280 are used to check the horizontal position of jigs, machines, devices, appliances and instruments.

The mounting threads offset by 120° allow the spirit levels to be aligned in relation to the mounting surface. An alignment ball at the bottom surface of the adjustment plate serves as tilting point. Specific tightening torques of the bolts allow to be achieved, so that the bubble is located inside the marking ring once the horizontal alignment is reached.

### ON REQUEST

- Filling, green-transparent
- Other sensitivities
- Housing in brass or Stainless Steel



### GN 2280

Description	d1	d2	d3	d4	h1	h2	t	⚖️
GN 2280-ALN-17-K-30	17	12	13.2	M 3	13	14.7	5	6
GN 2280-ALS-17-K-30	17	12	13.2	M 3	13	14.7	5	6
GN 2280-ALN-20-K-30	20	14	13	M 3	14.5	17	5	8
GN 2280-ALS-20-K-30	20	14	13	M 3	14.5	17	5	8
GN 2280-ALN-24-K-30	24	16	15	M 3	17	20	5	12
GN 2280-ALS-24-K-30	24	16	15	M 3	17	20	5	12

