

Bull's eye levels

for surface mounting

SPECIFICATION

Sensitivity

Type **30**: Angle minutes, bubble move by 2 mm

Types

- Type **A**: with smooth reference surface
- Type **B**: with mounting thread

Housing

Aluminium

anodized, natural colour **ALN**

anodized, black **ALS**

Spirit level element

Glass plastic body

Filling

colourless-transparent **K**

Casting compound

mineral-based

INFORMATION

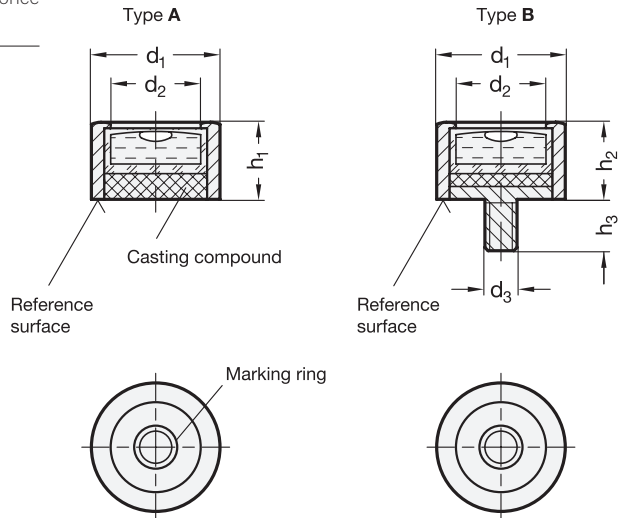
Bull's eye levels GN 2279 are used to check the horizontal position of jigs, machines, devices, appliances and instruments.

Type A is used if the spirit level is to be used as a tool, e.g. at different measuring points.

The spirit levels are aligned in relation to the reference or contact surface, such that the bubble is located inside the marking ring once the horizontal position of the contact surface is reached.

ON REQUEST

- Filling, green-transparent
- Other sensitivities
- Housing in brass or Stainless Steel



GN 2279

Description	d1	d2	d3	h1	h2	h3	⚖
GN 2279-ALN-14-K-30-A	14	10	-	9.5	-	-	2
GN 2279-ALS-14-K-30-A	14	10	-	9.5	-	-	2
GN 2279-ALN-20-K-30-A	20	14	-	13	-	-	4
GN 2279-ALS-20-K-30-A	20	14	-	13	-	-	4
GN 2279-ALN-30-K-30-A	30	21	-	15	-	-	7
GN 2279-ALS-30-K-30-A	30	21	-	15	-	-	7
GN 2279-ALN-14-K-30-B	14	10	M 4	9.5	7.7	5	2
GN 2279-ALS-14-K-30-B	14	10	M 4	9.5	7.7	5	2
GN 2279-ALN-20-K-30-B	20	14	M 5	13	13	6	4
GN 2279-ALS-20-K-30-B	20	14	M 5	13	13	6	4
GN 2279-ALN-30-K-30-B	30	21	M 6	15	15	7.5	14
GN 2279-ALS-30-K-30-B	30	21	M 6	15	15	7.5	14