

Bull's eye levels

with mounting flange

SPECIFICATION

Sensitivity

Type **30**: Angle minutes, bubble move by 2mm

Types

- Type **A**: Mounting flange, for bolting surface
- Type **B**: Mounting flange, for inserting (collar)

Housing

Aluminium

anodized, natural colour **ALN**

anodized, black **ALS**

Spirit level element

Glass plastic body

Filling

colourless-transparent **K**

Casting compound

mineral-based

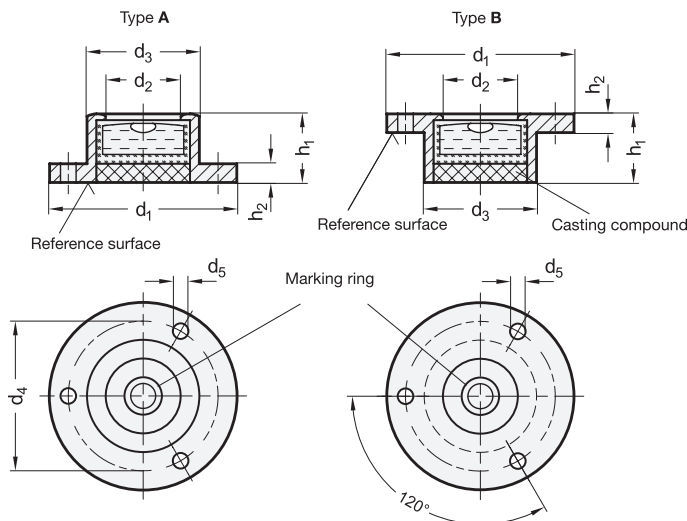
INFORMATION

Bull's eye levels GN 2277 are used to check the horizontal position of jigs, machines, devices, appliances and instruments.

The spirit levels are aligned in relation to the reference surface so that the bubble is located inside the marking ring when the horizontal position of the contact surface is achieved.

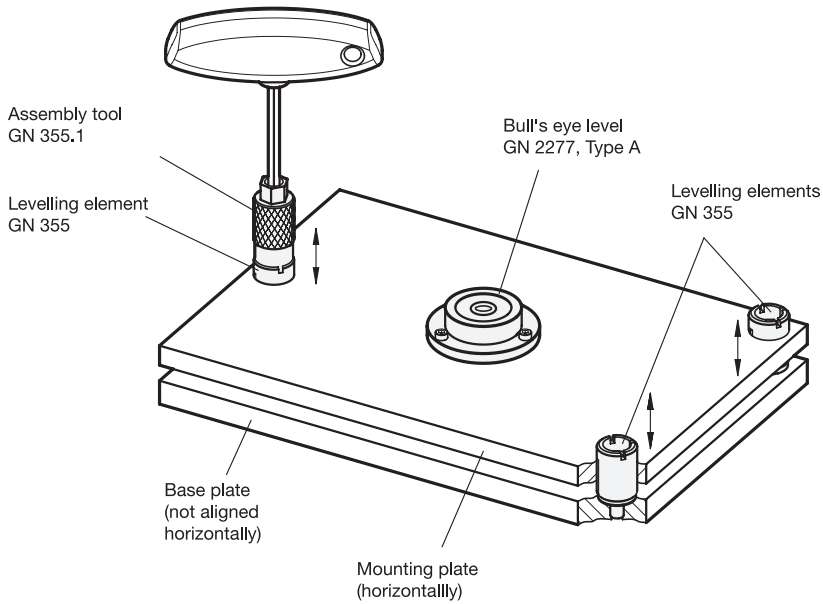
ON REQUEST

- Filling, green-transparent
- Other sensitivities
- Housing in brass or Stainless Steel



Installation example

Bull's eye levels and levelling elements - in this example, levelling elements GN 355 (see page 1314) and assembly tool GN 355.1 (see page 1315) - are ideal to use when a holding plate is to be brought into an exact horizontal position. Even after the initial adjustment, the bull's eye level remains in the unit so that the correct alignment can be checked and adjusted again.



GN 2277

| Description | d1 | d2 | d3 | d4 | d5 | h1 | h2 | ⚖️ |
|-----------------------|----|----|----|------|-----|----|-----|----|
| GN 2277-ALN-20-K-30-A | 20 | 10 | 14 | 17 | 1.8 | 10 | 1.8 | 3 |
| GN 2277-ALS-20-K-30-A | 20 | 10 | 14 | 17 | 1.8 | 10 | 1.8 | 3 |
| GN 2277-ALN-25-K-30-A | 25 | 12 | 17 | 21 | 2.2 | 10 | 2 | 5 |
| GN 2277-ALS-25-K-30-A | 25 | 12 | 17 | 21 | 2.2 | 10 | 2 | 5 |
| GN 2277-ALN-30-K-30-A | 30 | 12 | 18 | 24 | 3.2 | 11 | 3 | 7 |
| GN 2277-ALS-30-K-30-A | 30 | 12 | 18 | 24 | 3.2 | 11 | 3 | 7 |
| GN 2277-ALN-40-K-30-A | 40 | 20 | 28 | 34.5 | 3.2 | 14 | 4 | 14 |
| GN 2277-ALS-40-K-30-A | 40 | 20 | 28 | 34.5 | 3.2 | 14 | 4 | 14 |
| GN 2277-ALN-50-K-30-A | 50 | 25 | 34 | 43 | 3.2 | 15 | 5 | 25 |
| GN 2277-ALS-50-K-30-A | 50 | 25 | 34 | 43 | 3.2 | 15 | 5 | 25 |
| GN 2277-ALN-20-K-30-B | 20 | 10 | 14 | 17 | 1.8 | 10 | 1.8 | 3 |
| GN 2277-ALS-20-K-30-B | 20 | 10 | 14 | 17 | 1.8 | 10 | 1.8 | 3 |
| GN 2277-ALN-25-K-30-B | 25 | 12 | 17 | 21 | 2.2 | 10 | 2 | 5 |
| GN 2277-ALS-25-K-30-B | 25 | 12 | 17 | 21 | 2.2 | 10 | 2 | 5 |
| GN 2277-ALN-30-K-30-B | 30 | 12 | 18 | 24 | 3.2 | 11 | 3 | 7 |
| GN 2277-ALS-30-K-30-B | 30 | 12 | 18 | 24 | 3.2 | 11 | 3 | 7 |
| GN 2277-ALN-40-K-30-B | 40 | 20 | 28 | 34.5 | 3.2 | 14 | 4 | 14 |
| GN 2277-ALS-40-K-30-B | 40 | 20 | 28 | 34.5 | 3.2 | 14 | 4 | 14 |
| GN 2277-ALN-50-K-30-B | 50 | 25 | 34 | 43 | 3.2 | 15 | 5 | 25 |
| GN 2277-ALS-50-K-30-B | 50 | 25 | 34 | 43 | 3.2 | 15 | 5 | 25 |



Control elements