

## Cabinet "U" handles

Cast iron

### SPECIFICATION

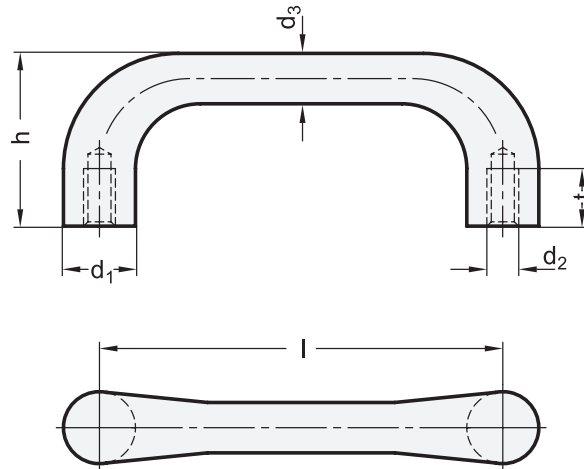
Cast iron (GS45)  
 plastic coated  
 black, RAL 9005, textured finish **SW**  
 blank **BL**  
 unfinished casting, fettled  
 Contact surface machined

### INFORMATION

Cabinet "U" handles GN 225 are simple, very rugged handles.

### TECHNICAL INFORMATION

- Load rating information (see page A35)



### GN 225

Description	d1	d2	d3	h	l ±0.25	t min.	⚖
GN 225-18-BL	18	M 6	12	42	100	12	190
GN 225-18-SW	18	M 6	12	42	100	12	200
GN 225-20-BL	20	M 8	14	47	112	15	250
GN 225-20-SW	20	M 8	14	47	112	15	260
GN 225-22-BL	22	M 10	16	53	125	18	370
GN 225-22-SW	22	M 10	16	53	125	18	380
GN 225-25-BL	25	M 12	18	59	140	20	520
GN 225-25-SW	25	M 12	18	59	140	20	530

