

## Finger handles

Steel

### SPECIFICATION

Steel  
 chrome-plated **CR**  
 Location discs  
 Zinc die casting, nickel-plated

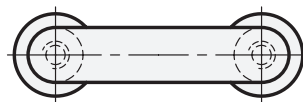
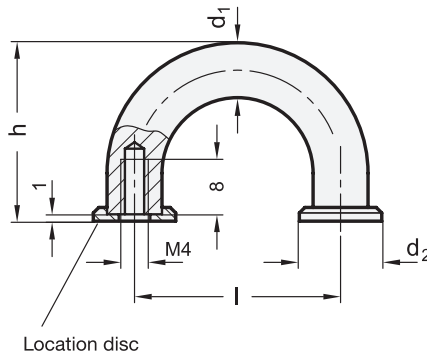
## Stainless Steel-Finger handles

### SPECIFICATION

Stainless Steel AISI 304  
 matt shot-blasted  
 Location discs  
 Stainless Steel AISI 303

### TECHNICAL INFORMATION

- Stainless Steel characteristics (see page A26)



### GN 224.1

| Description       | d1 | l ±0.25 | d2 | h  | ΔΔ |
|-------------------|----|---------|----|----|----|
| GN 224.1-8-30-CR  | 8  | 30      | 12 | 26 | 23 |
| GN 224.1-10-40-CR | 10 | 40      | 15 | 31 | 40 |

### GN 224.5

**STAINLESS STEEL**

| Description    | d1 | l ±0.25 | d2 | h  | ΔΔ |
|----------------|----|---------|----|----|----|
| GN 224.5-8-30  | 8  | 30      | 12 | 26 | 20 |
| GN 224.5-10-40 | 10 | 40      | 15 | 31 | 50 |

