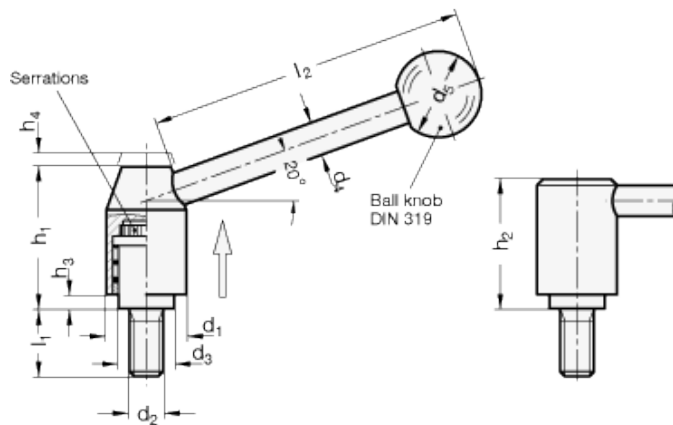


GN 212.3

Adjustable tension handles



technical informations

Lever body

Black-oxide turned steel.

Handle

Black-oxide turned steel arm with [DIN 319](#) black phenolic based (PF) Duroplast ball knob.

- Version D: with straight arm.
- Version E: with inclined arm by a 20° angle.

Clamping element

Black-oxide steel threaded stud with toothed element for coupling to the lever body, steel return spring.

Instructions of use

The threaded stud is connected to the handle via serrations and can be easily disengaged. By pulling the handle, the internal mechanism disengages the serrations and allows the handle to swivel to the ideal clamping position. By releasing the handle, the mechanism automatically re-engages serrations.

Features and applications

GN 212.3 adjustable handles are used for applications having a limited space or where a particular handle position is required.

Standard Elements	Main dimensions									Threaded stud		Weight
Description	d ₁	d ₃	d ₄	d ₅	h ₁	h ₂	h ₃	h ₄	l ₂	d ₂	l ₁	g
GN 212.3-21-M8-12-D	21	13.5	8	20	33.5	31	1	-	70	M8	12	103
GN 212.3-21-M8-12-E	21	13.5	8	20	-	-	1	4	70	M8	12	103
GN 212.3-21-M8-16-D	21	13.5	8	20	33.5	31	1	-	70	M8	16	104
GN 212.3-21-M8-16-E	21	13.5	8	20	-	-	1	4	70	M8	16	104
GN 212.3-21-M8-20-D	21	13.5	8	20	33.5	31	1	-	70	M8	20	105
GN 212.3-21-M8-20-E	21	13.5	8	20	-	-	1	4	70	M8	20	105
GN 212.3-21-M8-25-D	21	13.5	8	20	33.5	31	1	-	70	M8	25	105
GN 212.3-21-M8-25-E	21	13.5	8	20	-	-	1	4	70	M8	25	105
GN 212.3-21-M8-32-D	21	13.5	8	20	33.5	31	1	-	70	M8	32	109
GN 212.3-21-M8-32-E	21	13.5	8	20	-	-	1	4	70	M8	32	109
GN 212.3-21-M8-40-D	21	13.5	8	20	33.5	31	1	-	70	M8	40	112
GN 212.3-21-M8-40-E	21	13.5	8	20	-	-	1	4	70	M8	40	112
GN 212.3-21-M8-50-D	21	13.5	8	20	33.5	31	1	-	70	M8	50	114
GN 212.3-21-M8-50-E	21	13.5	8	20	-	-	1	4	70	M8	50	114
GN 212.3-21-M8-63-D	21	13.5	8	20	33.5	31	1	-	70	M8	63	119
GN 212.3-21-M8-63-E	21	13.5	8	20	-	-	1	4	70	M8	63	119
GN 212.3-21-M10-20-D	21	13.5	8	20	33.5	31	1	-	70	M10	20	108
GN 212.3-21-M10-20-E	21	13.5	8	20	-	-	1	4	70	M10	20	108
GN 212.3-21-M10-25-D	21	13.5	8	20	33.5	31	1	-	70	M10	25	111
GN 212.3-21-M10-25-E	21	13.5	8	20	-	-	1	4	70	M10	25	111
GN 212.3-21-M10-32-D	21	13.5	8	20	33.5	31	1	-	70	M10	32	111
GN 212.3-21-M10-32-E	21	13.5	8	20	-	-	1	4	70	M10	32	111
GN 212.3-21-M10-40-D	21	13.5	8	20	33.5	31	1	-	70	M10	40	117
GN 212.3-21-M10-40-E	21	13.5	8	20	-	-	1	4	70	M10	40	117
GN 212.3-21-M10-50-D	21	13.5	8	20	33.5	31	1	-	70	M10	50	122
GN 212.3-21-M10-50-E	21	13.5	8	20	-	-	1	4	70	M10	50	122
GN 212.3-21-M10-63-D	21	13.5	8	20	33.5	31	1	-	70	M10	63	126
GN 212.3-21-M10-63-E	21	13.5	8	20	-	-	1	4	70	M10	63	126
GN 212.3-21-M10-80-D	21	13.5	8	20	-	-	1	4	70	M10	80	136
GN 212.3-21-M10-80-E	21	13.5	8	20	-	-	1	4	70	M10	80	136
GN 212.3-24-M10-16-D	24	16	10	25	40	37	2.5	-	96	M10	16	174
GN 212.3-24-M10-16-E	24	16	10	25	-	-	2.5	4.5	96	M10	16	174
GN 212.3-24-M10-20-D	24	16	10	25	40	37	2.5	-	96	M10	20	175
GN 212.3-24-M10-20-E	24	16	10	25	-	-	2.5	4.5	96	M10	20	175
GN 212.3-24-M10-25-D	24	16	10	25	40	37	2.5	-	96	M10	25	177
GN 212.3-24-M10-25-E	24	16	10	25	-	-	2.5	4.5	96	M10	25	177
GN 212.3-24-M10-32-D	24	16	10	25	40	37	2.5	-	96	M10	32	180
GN 212.3-24-M10-32-E	21	16	10	25	-	-	2.5	4.5	96	M10	32	180
GN 212.3-24-M10-40-D	24	16	10	25	40	37	-	4.5	96	M10	40	180
GN 212.3-24-M10-40-E	24	16	10	25	-	-	2.5	4.5	96	M10	40	180
GN 212.3-24-M10-50-D	24	16	10	25	40	37	2.5	-	96	M10	50	190
GN 212.3-24-M10-50-E	24	16	10	25	-	-	2.5	4.5	96	M10	50	190

GN 212.3-24-M10-63-D	24	16	10	25	40	37	2.5	-	96	M10	63	197
GN 212.3-24-M10-63-E	24	16	10	25	-	-	2.5	4.5	96	M10	63	197
GN 212.3-24-M10-80-D	24	16	10	25	40	37	2.5	-	96	M10	80	204
GN 212.3-24-M10-80-E	24	16	10	25	-	-	2.5	4.5	96	M10	80	204
GN 212.3-24-M12-25-D	24	16	10	25	40	37	2.5	-	96	M12	25	183
GN 212.3-24-M12-25-E	24	16	10	25	-	-	2.5	4.5	96	M12	25	183
GN 212.3-24-M12-32-D	24	16	10	25	40	37	2.5	-	96	M12	32	188
GN 212.3-24-M12-32-E	24	16	10	25	-	-	2.5	4.5	96	M12	32	188
GN 212.3-24-M12-40-D	24	16	10	25	40	37	2.5	-	96	M12	40	194
GN 212.3-24-M12-40-E	24	16	10	25	-	-	2.5	4.5	96	M12	40	194
GN 212.3-24-M12-50-D	24	16	10	25	40	37	2.5	-	96	M12	50	201
GN 212.3-24-M12-50-E	24	16	10	25	-	-	2.5	4.5	96	M12	50	201
GN 212.3-24-M12-63-D	24	16	10	25	40	37	2.5	-	96	M12	63	209
GN 212.3-24-M12-63-E	24	16	10	25	-	-	2.5	4.5	96	M12	63	209
GN 212.3-24-M12-80-D	24	16	10	25	40	37	2.5	-	96	M12	80	217
GN 212.3-24-M12-80-E	24	16	10	25	-	-	2.5	4.5	96	M12	80	217
GN 212.3-28-M10-16-D	28	19	12	30	48.5	44.5	4.5	-	110	M10	16	227
GN 212.3-28-M10-16-E	28	19	12	30	-	-	4.5	4.5	110	M10	16	277
GN 212.3-28-M10-20-D	28	19	12	30	48.5	44.5	4.5	-	110	M10	20	280
GN 212.3-28-M10-20-E	28	19	12	30	-	-	4.5	4.5	110	M10	20	280
GN 212.3-28-M10-25-D	28	19	12	30	48.5	44.5	4.5	-	110	M10	25	285
GN 212.3-28-M10-25-E	28	19	12	30	-	-	4.5	4.5	110	M10	25	285
GN 212.3-28-M10-32-D	28	19	12	30	48.5	44.5	4.5	-	110	M10	32	289
GN 212.3-28-M10-32-E	28	19	12	30	-	-	4.5	4.5	110	M10	32	289
GN 212.3-28-M10-40-D	28	19	12	30	48.5	44.5	4.5	-	110	M10	40	311
GN 212.3-28-M10-40-E	28	19	12	30	-	-	4.5	4.5	110	M10	40	311
GN 212.3-28-M10-50-D	28	19	12	30	48.5	44.5	4.5	-	110	M10	50	309
GN 212.3-28-M10-50-E	28	19	12	30	-	-	4.5	4.5	110	M10	50	309
GN 212.3-28-M10-63-D	28	19	12	30	48.5	44.5	4.5	-	110	M10	63	304
GN 212.3-28-M10-63-E	28	19	12	30	-	-	4.5	4.5	110	M10	63	304
GN 212.3-28-M12-16-D	28	19	12	30	48.5	44.5	4.5	4.5	110	M12	16	286
GN 212.3-28-M12-16-E	28	19	12	30	-	-	4.5	4.5	110	M12	16	286
GN 212.3-28-M12-20-D	28	19	12	30	48.5	44.5	4.5	-	110	M12	20	286
GN 212.3-28-M12-20-E	28	19	12	30	-	-	4.5	4.5	110	M12	20	287
GN 212.3-28-M12-25-D	28	19	12	30	48.5	44.5	4.5	-	110	M12	25	287
GN 212.3-28-M12-25-E	28	19	12	30	-	-	4.5	4.5	110	M12	25	287
GN 212.3-28-M12-32-D	28	19	12	30	48.5	44.5	4.5	-	110	M12	32	287
GN 212.3-28-M12-32-E	28	19	12	30	-	-	4.5	4.5	110	M12	32	297
GN 212.3-28-M12-40-D	28	19	12	30	48.5	44.5	4.5	-	110	M12	40	302
GN 212.3-28-M12-40-E	28	19	12	30	-	-	4.5	4.5	110	M12	40	309
GN 212.3-28-M12-50-D	28	19	12	30	48.5	44.5	4.5	-	110	M12	50	309
GN 212.3-28-M12-50-E	28	19	12	30	-	-	4.5	4.5	110	M12	50	309
GN 212.3-28-M12-63-D	28	19	12	30	48.5	44.5	4.5	-	110	M12	63	319
GN 212.3-28-M12-63-E	28	19	12	30	-	-	4.5	4.5	110	M12	63	319
GN 212.3-28-M12-80-D	28	19	12	30	48.5	44.5	4.5	-	110	M12	80	330

GN 212.3-28-M12-80-E	28	19	12	30	-	-	4.5	4.5	110	M12	80	330
GN 212.3-33-M12-25-D	33	23	12	32	55	51.5	6	-	124	M12	25	428
GN 212.3-33-M12-25-E	33	23	12	32	-	-	6	5.5	124	M12	25	428
GN 212.3-33-M12-32-D	33	23	12	32	55	51.5	6	-	124	M12	32	425
GN 212.3-33-M12-32-E	33	23	12	32	-	-	6	5.5	124	M12	32	425
GN 212.3-33-M12-40-D	33	23	12	32	55	51.5	6	-	124	M12	40	431
GN 212.3-33-M12-40-E	33	23	12	32	-	-	6	5.5	124	M12	40	431
GN 212.3-33-M12-50-D	33	23	12	32	55	51.5	6	5.5	124	M12	50	438
GN 212.3-33-M12-50-E	33	23	12	32	-	-	6	5.5	124	M12	50	438
GN 212.3-33-M12-63-D	33	23	12	32	55	51.5	6	-	124	M12	63	446
GN 212.3-33-M12-63-E	33	23	12	32	-	-	6	5.5	124	M12	63	446
GN 212.3-33-M16-32-D	33	23	12	32	55	51.5	6	-	124	M16	32	440
GN 212.3-33-M16-32-E	33	23	12	32	-	-	6	5.5	124	M16	32	440
GN 212.3-33-M16-40-D	33	23	12	32	55	51.5	6	-	124	M16	40	451
GN 212.3-33-M16-40-E	33	23	12	32	-	-	6	5.5	124	M16	40	451
GN 212.3-33-M16-50-D	33	23	12	32	55	51.5	6	-	124	M16	50	463
GN 212.3-33-M16-50-E	33	23	12	32	-	-	6	5.5	124	M16	50	463
GN 212.3-33-M16-63-D	33	23	12	32	55	51.5	6	-	124	M16	63	482
GN 212.3-33-M16-63-E	33	23	12	32	-	-	6	5.5	124	M16	63	482
GN 212.3-33-M16-80-D	40	28	14	35	68	64	6	-	138	M16	80	797
GN 212.3-33-M16-80-E	33	23	12	32	-	-	6	5.5	124	M16	80	504
GN 212.3-40-M16-40-D	40	28	14	35	68	64	6	-	138	M16	40	743
GN 212.3-40-M16-40-E	40	28	14	35	-	-	6	5.5	138	M16	40	743
GN 212.3-40-M16-50-D	40	28	14	35	68	64	6	-	138	M16	50	757
GN 212.3-40-M16-50-E	40	28	14	35	-	-	6	5.5	138	M16	50	757
GN 212.3-40-M16-63-D	40	28	14	35	68	64	6	-	138	M16	63	772
GN 212.3-40-M16-63-E	40	28	14	35	-	-	6	5.5	138	M16	63	772
GN 212.3-40-M16-80-D	40	28	14	35	68	64	6	-	138	M16	80	797
GN 212.3-40-M16-80-E	40	28	14	35	-	-	6	5.5	138	M16	80	797
GN 212.3-40-M20-40-D	40	28	14	35	68	64	6	-	138	M20	40	777
GN 212.3-40-M20-40-E	40	28	14	35	-	-	6	5.5	138	M20	40	777
GN 212.3-40-M20-50-D	40	28	14	35	68	64	6	-	138	M20	50	797
GN 212.3-40-M20-50-E	40	28	14	35	-	-	6	5.5	138	M20	50	797
GN 212.3-40-M20-63-D	40	28	14	35	68	64	6	-	138	M20	63	824
GN 212.3-40-M20-63-E	40	28	14	35	-	-	6	5.5	138	M20	63	824
GN 212.3-40-M20-80-D	40	28	14	35	68	64	6	-	138	M20	80	856
GN 212.3-40-M20-80-E	40	28	14	35	-	-	6	5.5	138	M20	80	856



STANDARD MACHINE ELEMENTS WORLDWIDE