

T-Angle connector clamps

Aluminium

SPECIFICATION

Identification No.

No. **2**: with two Stainless Steel-Clamping screws DIN 912

Aluminium

plastic coated

black, RAL 9005, textured finish **SW**

blank

matt shot-blasted **BL**

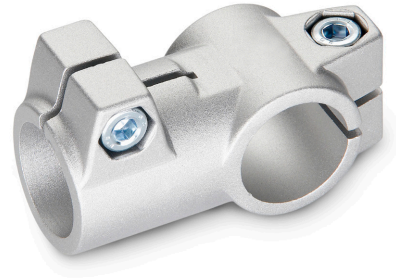
Clamping bores mechanically machined

Socket cap screws DIN 912

Stainless Steel AISI 304

Hexagon nuts DIN 985

Stainless Steel AISI 304



INFORMATION

The clamping bores of GN 192 T-Angle connector clamps are mechanically machined and designed for construction tubes GN 990 (see page 1902) or DIN 2391, DIN 2395 and DIN 2462 respectively.

The standard version of the clamping screw is a socket cap screw with hexagonal socket DIN 912. It can be replaced by a clamping kits GN 911 (see page 1874) (article code see table of dimensions).

ACCESSORY

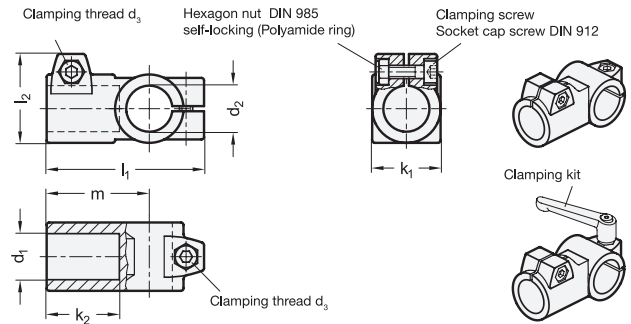
- Clamping kits GN 911 (see page 1874)

ON REQUEST

- d_1 / d_2 with different bores

TECHNICAL INFORMATION

- Stainless Steel characteristics (see page A26)



* Complete with colour index of the T-angle connector clamps (SW or BL)

SW RAL9005 **BL** blank

GN 192

Description	d1	d2	k1	d3	k2	l1	l2	m	Clamping kits for d3	⚖
GN 192-B20-B20-40-2-*	B 20	B 20	40	M 8	42.5	92	52	60	GN 911-M8-32	250
GN 192-B25-B25-40-2-*	B 25	B 25	40	M 8	42.5	92	52	60	GN 911-M8-32	231
GN 192-B30-B30-40-2-*	B 30	B 30	40	M 8	42.5	92	52	60	GN 911-M8-32	186
GN 192-B30-B30-56-2-*	B 30	B 30	56	M 10	62	129	69	88	GN 911-M8-32	661
GN 192-B32-B32-56-2-*	B 32	B 32	56	M 10	62	129	69	88	GN 911-M10-40	619
GN 192-B35-B35-56-2-*	B 35	B 35	56	M 10	62	129	69	88	GN 911-M10-40	570
GN 192-B40-B40-56-2-*	B 40	B 40	56	M 10	62	129	69	88	GN 911-M10-40	481
GN 192-B40-B40-65-2-*	B 40	B 40	65	M 10	75	148	77.5	103	GN 911-M10-40	922
GN 192-B42-B42-65-2-*	B 42	B 42	65	M 10	75	148	77.5	103	GN 911-M10-55	889
GN 192-B45-B45-65-2-*	B 45	B 45	65	M 10	75	148	77.5	103	GN 911-M10-55	732
GN 192-B48-B48-65-2-*	B 48	B 48	65	M 10	75	148	77.5	103	GN 911-M10-55	676
GN 192-B50-B50-65-2-*	B 50	B 50	65	M 10	75	148	77.5	103	GN 911-M10-55	660
GN 192-B50-B50-80-2-*	B 50	B 50	80	M 10	80	177	92	125	GN 911-M10-55	1460
GN 192-B60-B60-80-2-*	B 60	B 60	80	M 10	80	177	92	125	GN 911-M10-55	1000

Weight BL