

T-Angle Linear Actuator Connectors

Aluminum

SPECIFICATION

Identification No.

No. **2**: With 2 stainless steel socket cap screws DIN 912

Aluminum

Powder coated

Black, RAL 9005, textured finish **S**

- Sleeve bearing
Plastic (PTFE)
- Socket cap screws DIN 912
Stainless steel AISI 304
- Hex nuts DIN 985
Stainless steel AISI 304
- Self-locking via polyamide ring



INFORMATION

T-angle linear actuator connectors GN 192.1 are based on T-angle connector clamps. The additionally provided fastening holes are used to connect to the drive key of a linear actuator. Bores with the designation **G** are equipped with sleeve bearings.

With the screw location **z**, the play of the guide bore d_1 can be adjusted or the linear actuator connectors can be clamped after adjustment.

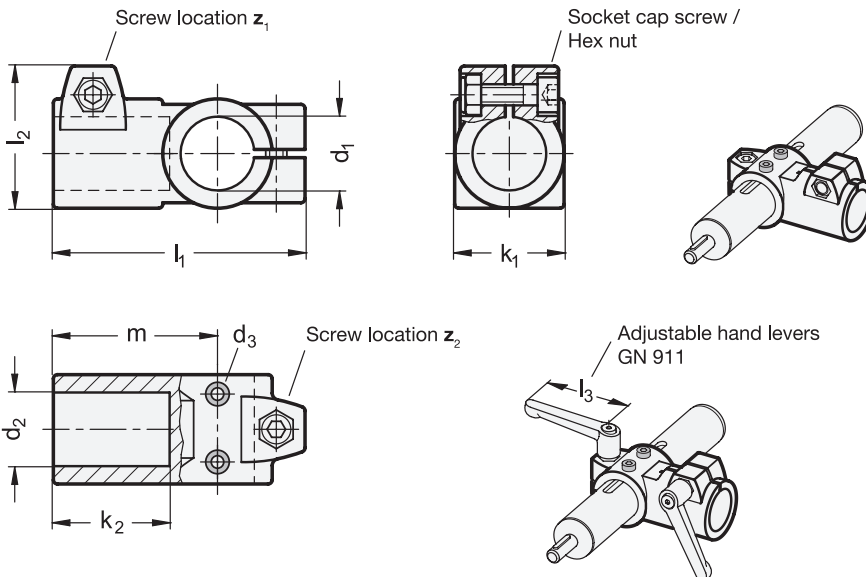
For quick clamping without tools, the socket cap screws can be replaced by the adjustable hand levers GN 911 (see page 1874) listed in the table as accessories.

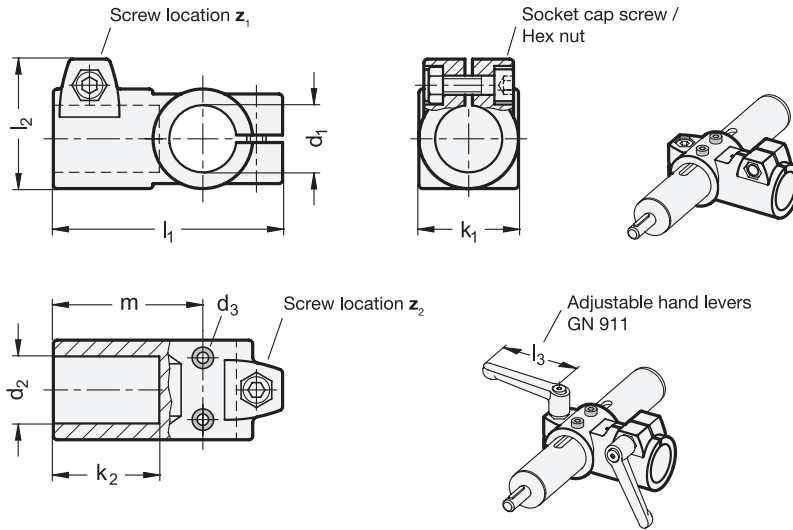
ACCESSORY

- Adjustable Hand Levers GN 911 (see page 1874)

TECHNICAL INFORMATION

- Stainless Steel Characteristics (see page A26)
- Plastic Characteristics (see page A26)





GN 192.1

Description	d ₁ Bore with sleeve bearing	d ₁ Bore without sleeve bearing	d ₂	k ₁ Clamping length	d ₃	k ₂ Clamping length	l ₁	l ₂	m	z ₁ Screw Location	z ₂ Screw Location	Recom.hand lever GN 911 for z ₁ l ₃	Recom.hand lever GN 911 for z ₂ l ₃	⚖
GN 192.1-B30-B30-40-2-S	B 30	-	B 30	40	M 4	42,5	92	52	60	M 8-25	M 8-25	63 78	63 78	185
GN 192.1-B30-B30-56-2-S	B 30	-	B 30	56	M 4	62	130	68	90	M 10-35	M 10-35	-	-	661
GN 192.1-B40-B40-56-2-S	B 40	-	B 40	56	M 5	62	130	68	90	M 10-35	M 10-35	78 92	92	450
GN 192.1-B40-B40-65-2-S	B 40	-	B 40	65	M 5	75	148	77,5	103	M 10-50	M 10-50	92	-	922
GN 192.1-B50-B50-65-2-S	B 50	-	B 50	65	M 6	75	148	77,5	103	M 10-50	M 10-50	78 92	78 92	620
GN 192.1-B60-B60-80-2-S	B 60	-	B 60	80	M 8	80	177	92	125	M 10-50	M 10-50	78 92	-	1260
GN 192.1-G30-B30-40-2-S	-	G 30	B 30	40	M 4	42,5	92	52	60	M 8-25	M 8-25	63 78	63 78	185
GN 192.1-G30-B30-56-2-S	-	G 30	B 30	56	M 4	62	130	68	90	M 10-35	M 10-35	-	-	661
GN 192.1-G40-B40-56-2-S	-	G 40	B 40	56	M 5	62	130	68	90	M 10-35	M 10-35	78 92	92	450
GN 192.1-G40-B40-65-2-S	-	G 40	B 40	65	M 5	75	148	77,5	103	M 10-50	M 10-50	92	-	922
GN 192.1-G50-B50-65-2-S	-	G 50	B 50	65	M 6	75	148	77,5	103	M 10-50	M 10-50	78 92	78 92	620
GN 192.1-G60-B60-80-2-S	-	G 60	B 60	80	M 8	80	177	92	125	M 10-50	M 10-50	78 92	-	1260

