

Leveling Feet

Stainless Steel, 3-A and DGUV certified, Hygienic Design

SPECIFICATION

Type

- Type **A**: Without mounting holes

Spindle, adjustable sleeve

- Stainless steel AISI 304
- Turned

Foot plate

Stainless steel sheet metal
AISI 316L

Seals, blue, FDA compliant

- Sealing ring
H-NBR, hardness 70 ±5 Shore A
- Wiper
TPU, hardness 95 ±5 Shore A
- Joint sealing ring
H-NBR, hardness 85 ±5 Shore A

Elastomer pad, blue, FDA compliant

- Silicone, hardness 85 ±5 Shore A
- Vulcanised

INFORMATION

Leveling feet GN 19 comply with the 3-A sanitary standard 88-01 and the DGUV testing principles, making them suitable for use in hygienic areas.

The elastomer pad seals the space below the foot plate against dirt. This is achieved by the weight of the machine on the plate. The sealing ring above the adjustment sleeve enables fastening without dead space. Due to the wiper and the joint sealing ring, the moving components are sealed against the environment. The high quality finish prevents adherence of dirt and facilitates cleaning.

The values listed in the table for static load capacity refer to a purely vertical load in relation to the leveling foot. Under normal operating conditions bending loads or angular loads are not uncommon and result in a reduction of load capacity, which must be taken into consideration.

- Operating instruction GN 19 / GN 20

ACCESSORY

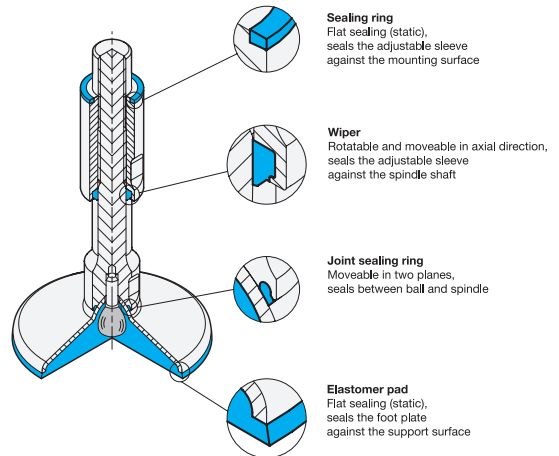
- Cover Sleeves GN 20.1 (see page) Hygienic Design

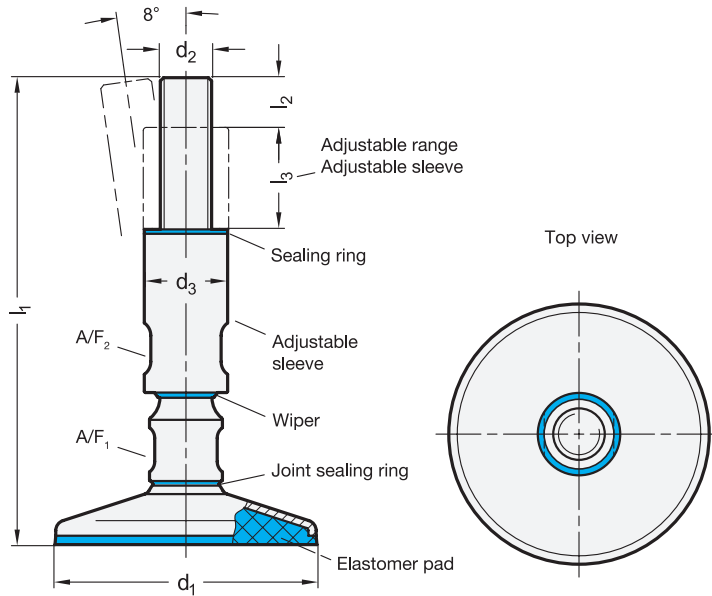
TECHNICAL INFORMATION

- Plastic Characteristics (see page A2)
- Stainless Steel Characteristics (see page A26)



SEALING CONCEPT





GN 19

STAINLESS STEEL

Description	d1	d2	l1	d3	l2	l3	A/F1	A/F2	Static load in kN	⚖
GN 19-60-M12-175-A	60	M 12	175	25	14	35	17	19	9	477
GN 19-60-M12-225-A	60	M 12	225	25	14	35	17	19	9	521
GN 19-60-M16-175-A	60	M 16	175	28	19	35	18	22	9	538
GN 19-60-M16-225-A	60	M 16	225	28	19	35	18	22	9	619
GN 19-80-M12-175-A	80	M 12	175	25	14	35	17	19	15	540
GN 19-80-M12-225-A	80	M 12	225	25	14	35	17	19	15	584
GN 19-80-M16-175-A	80	M 16	175	28	19	35	18	22	15	601
GN 19-80-M16-225-A	80	M 16	225	28	19	35	18	22	15	681
GN 19-80-M20-185-A	80	M 20	185	32	24	35	24	27	15	814
GN 19-80-M20-235-A	80	M 20	235	32	24	35	24	27	15	1127
GN 19-80-M24-185-A	80	M 24	185	36	29	35	24	30	15	978
GN 19-80-M24-235-A	80	M 24	235	36	29	35	24	30	15	1157
GN 19-100-M16-175-A	100	M 16	175	28	19	35	18	22	22	683
GN 19-100-M16-225-A	100	M 16	225	28	19	35	18	22	22	763
GN 19-100-M20-185-A	100	M 20	185	32	24	35	24	27	22	896
GN 19-100-M20-235-A	100	M 20	235	32	24	35	24	27	22	1209
GN 19-100-M24-185-A	100	M 24	185	36	29	35	24	30	22	1060
GN 19-100-M24-235-A	100	M 24	235	36	29	35	24	30	22	1239
GN 19-120-M16-175-A	120	M 16	175	28	19	35	18	22	30	780
GN 19-120-M16-225-A	120	M 16	225	28	19	35	18	22	30	860
GN 19-120-M20-185-A	120	M 20	185	32	24	35	24	27	30	993
GN 19-120-M20-235-A	120	M 20	235	32	24	35	24	27	30	1306
GN 19-120-M24-185-A	120	M 24	185	36	29	35	24	30	30	1157
GN 19-120-M24-235-A	120	M 24	235	36	29	35	24	30	30	1336

