

Stainless Steel-Locking plates

SPECIFICATION

TYPES

- Type **A**: Stud, unthreaded (for welding on)
- Type **B**: Stud, with female thread
- Type **C**: Stud, with male thread
- Type **DH**: Fastening flange, horizontal
- Type **E**: Plate (for welding on)

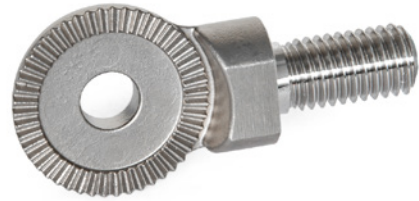
Stainless Steel precision casting **NI**
 AISI CF-8
 matte shot-blasted

INFORMATION

Stainless Steel-Locking plates GN 187.5 can be installed in combination with locking joint sets GN 187.6 (see page) to create locking joints. This allows gear lever handles and retaining tubes or trays and mounts to be adjusted relative to each other at defined angles with a form-locking connection. The angle orientation of the teeth is adapted to the connecting elements, permitting an axis-parallel or right-angled arrangement.

Held together and centered by locking joint sets, the various types can be combined together arbitrarily with identical the nominal sizes d_1 . Stainless Steel-Thrust springs GN 187.2 (see page 1065) can be placed between the locking heads during mounting, allowing a clean separation upon removal. Additional design possibilities arise from the compatibility of the locking heads with the locking plates GN 187.4 (see page 1062).

When welding on, type E be easily positioned on the opposing part and fastened by means of the mounting holes d_8 (which are aligned with the teeth) using dowel pins or positioning pins.

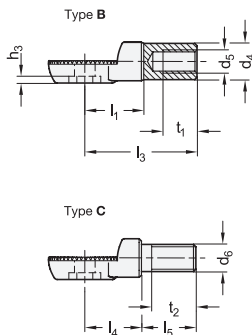
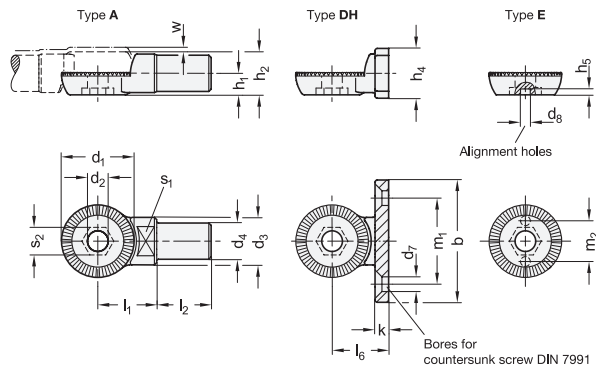


TECHNICAL INFORMATION

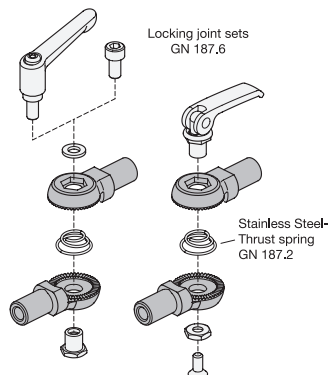
Stainless Steel characteristics (see page A26)

ACCESSORY

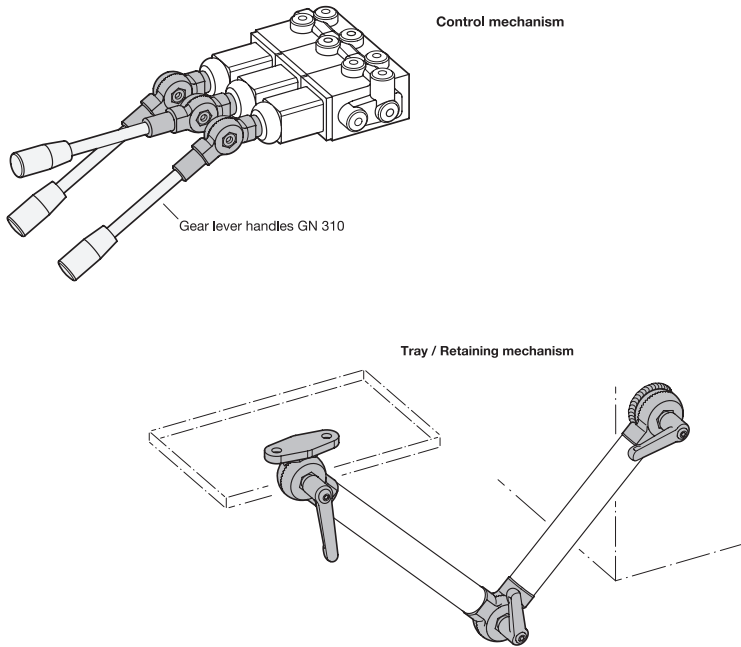
- Locking joint sets GN 187.6 (see page)
- Serrated locking plates GN 187.4 (Steel / Stainless Steel) (see page 1062)
- Stainless Steel-Thrust springs GN 187.2 (see page 1065)



Assembly instruction and accessory



APPLICATION EXAMPLES



GN 187.5

STAINLESS STEEL

Description	d1	z	b	d2	d3	d4	d5	d6	d7	d8	h1	h2	h3	h4	h5	k	l1	l2	l3	l4	l5	l6	m1	m2	s1	s2	t1	t2	w min.	⚖	
GN 187.5-27-48-A-NI	27	48	-	9	18	13	-	-	-	-	8	16	3	-	-	-	21	20	-	-	-	-	-	-	14	12	-	-	0.8	69	
GN 187.5-27-48-B-NI	27	48	-	9	18	13	M8	-	-	-	8	16	3	-	-	-	21	-	40.5	-	-	-	-	-	14	12	12	-	0.8	51	
GN 187.5-27-48-C-NI	27	48	-	9	18	-	-	M10	-	-	8	16	3	-	-	-	-	-	-	21	20	-	-	-	14	12	-	17	0.8	55	
GN 187.5-27-48-DH-NI	27	48	46	9	-	-	-	-	5.3	-	8	16	3	20	-	5	-	-	-	-	-	-	21	32	-	-	12	-	-	0.8	50
GN 187.5-27-48-E-NI	27	48	-	9	-	-	-	-	-	2.5	8	16	3	-	1.5	-	-	-	-	-	-	-	-	-	17	-	12	-	-	0.8	24
GN 187.5-27-60-A-NI	27	60	-	9	18	13	-	-	-	-	8	16	3	-	-	-	21	20	-	-	-	-	-	-	14	12	-	-	0.8	57	
GN 187.5-27-60-B-NI	27	60	-	9	18	13	M8	-	-	-	8	16	3	-	-	-	21	-	40.5	-	-	-	-	-	14	12	12	-	0.8	50	
GN 187.5-27-60-C-NI	27	60	-	9	18	-	-	M10	-	-	8	16	3	-	-	-	-	-	-	21	20	-	-	-	14	12	-	17	0.8	54	
GN 187.5-27-60-DH-NI	27	60	46	9	-	-	-	-	5.3	-	8	16	3	20	-	5	-	-	-	-	-	-	21	32	-	-	12	-	-	0.8	48
GN 187.5-27-60-E-NI	27	60	-	9	-	-	-	-	-	2.5	8	16	3	-	1.5	-	-	-	-	-	-	-	-	-	17	-	12	-	-	0.8	22
GN 187.5-32-48-A-NI	32	48	-	9	21	16	-	-	-	-	9.5	19	3	-	-	-	26	24	-	-	-	-	-	-	17	12	-	-	0.8	103	
GN 187.5-32-48-B-NI	32	48	-	9	21	16	M10	-	-	-	9.5	19	3	-	-	-	26	-	49.5	-	-	-	-	-	17	12	15	-	0.8	92	
GN 187.5-32-48-C-NI	32	48	-	9	21	-	-	M12	-	-	9.5	19	3	-	-	-	-	-	-	25	24	-	-	-	17	12	-	20	0.8	95	
GN 187.5-32-48-DH-NI	32	48	54	9	-	-	-	-	6.5	-	9.5	19	3	22	-	6	-	-	-	-	-	-	25	38	-	-	12	-	-	0.8	87
GN 187.5-32-48-E-NI	32	48	-	9	-	-	-	-	-	3	9.5	19	3	-	2	-	-	-	-	-	-	-	-	-	20	-	12	-	-	0.8	46
GN 187.5-32-60-A-NI	32	60	-	9	21	16	-	-	-	-	9.5	19	3	-	-	-	26	24	-	-	-	-	-	-	17	12	-	-	0.8	106	
GN 187.5-32-60-B-NI	32	60	-	9	21	16	M10	-	-	-	9.5	19	3	-	-	-	26	-	49.5	-	-	-	-	-	17	12	15	-	0.8	93	
GN 187.5-32-60-C-NI	32	60	-	9	21	-	-	M12	-	-	9.5	19	3	-	-	-	-	-	-	25	24	-	-	-	17	12	-	20	0.8	96	
GN 187.5-32-60-DH-NI	32	60	54	9	-	-	-	-	6.5	-	9.5	19	3	22	-	6	-	-	-	-	-	-	25	38	-	-	12	-	-	0.8	87
GN 187.5-32-60-E-NI	32	60	-	9	-	-	-	-	-	3	9.5	19	3	-	2	-	-	-	-	-	-	-	-	-	20	-	12	-	-	0.8	48
GN 187.5-40-48-A-NI	40	48	-	11	27	20	-	-	-	-	12	24	4	-	-	-	31.5	32	-	-	-	-	-	-	22	14	-	-	1	206	
GN 187.5-40-48-B-NI	40	48	-	11	27	20	M12	-	-	-	12	24	4	-	-	-	31.5	-	63	-	-	-	-	-	22	14	18	-	1	186	
GN 187.5-40-48-C-NI	40	48	-	11	27	-	-	M16	-	-	12	24	4	-	-	-	-	-	-	31	32	-	-	-	22	14	-	26	1	192	
GN 187.5-40-48-DH-NI	40	48	70	11	-	-	-	-	8.5	-	12	24	4	30	-	7	-	-	-	-	-	-	30.5	48	-	-	14	-	-	1	174
GN 187.5-40-48-E-NI	40	48	-	11	-	-	-	-	-	4	12	24	4	-	2.5	-	-	-	-	-	-	-	-	-	24	-	14	-	-	1	81
GN 187.5-40-60-A-NI	40	60	-	11	27	20	-	-	-	-	12	24	4	-	-	-	31.5	32	-	-	-	-	-	-	22	14	-	-	1	206	
GN 187.5-40-60-B-NI	40	60	-	11	27	20	M12	-	-	-	12	24	4	-	-	-	31.5	-	63	-	-	-	-	-	22	14	18	-	1	187	
GN 187.5-40-60-C-NI	40	60	-	11	27	-	-	M16	-	-	12	24	4	-	-	-	-	-	-	31	32	-	-	-	22	14	-	26	1	190	
GN 187.5-40-60-DH-NI	40	60	70	11	-	-	-	-	8.5	-	12	24	4	30	-	7	-	-	-	-	-	-	30.5	48	-	-	14	-	-	1	174
GN 187.5-40-60-E-NI	40	60	-	11	-	-	-	-	-	4	12	24	4	-	2.5	-	-	-	-	-	-	-	-	-	24	-	14	-	-	1	82



Machine elements