

Fastening sets

for cabinet "U" handles

SPECIFICATION

Zinc die casting
plastic coated
black, RAL 9005, textured finish **SW**
silver, RAL 9006, textured finish **SR**

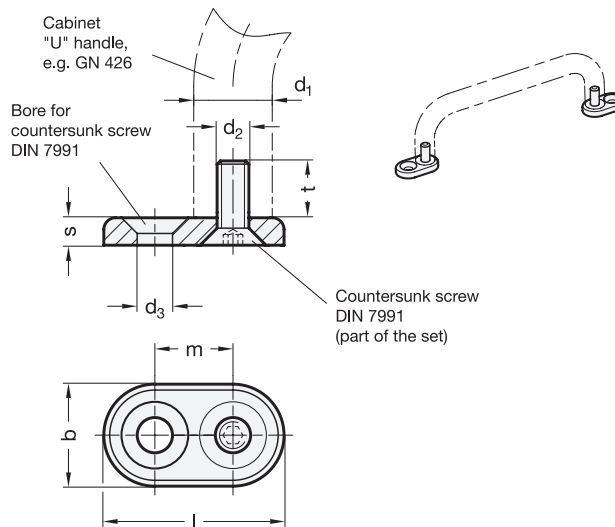
Countersunk screws
DIN 7991
Steel, zinc plated, blue passivated

INFORMATION

Fastening sets GN 181 make it possible to mount different cabinet "U" handles and tubular handles with internal thread from the operator's side.

The mounting position of the fastening plates is freely customizable, allowing a sideways offset or mounting with different drillhole spacings.

A fastening set consists of 2 fastening plates and 2 countersunk screws.



* Complete with colour index of the Fastening sets (SW or SR)

SW **SR**
RAL9005 RAL9006

GN 181

Description	d1	d2	b	d3 +0.2 / +0.5	l	m	s	t	Countersunk screw DIN 7991	For cabinet "U" handles	⚖
GN 181-ZD-8-M4-*	8	M 4	10	4	20	10	3	7	M4x10	GN 425-8-...	4
GN 181-ZD-10-M5-*	10	M 5	12	5	24	12	4	8	M5x12	GN 425-10-... / GN 425.1-10...	8
GN 181-ZD-12-M6-*	12	M 6	15	6	30	15	4.5	9.5	M6x14	GN 425-12-... / GN 425.1-12...	14
GN 181-ZD-16-M6-*	16	M 6	18	6	34	16	4.5	9.5	M6x14	GN 425-16...	22
GN 181-ZD-20-M6-*	20	M 6	22	6	40	18	4.5	9.5	M6x14	GN 565-20-... / GN 565.5-20-...	35
GN 181-ZD-20-M8-*	20	M 8	22	8	42	20	6	12	M8x18	GN 426-20-... / GN 426.1-20-...	43
GN 181-ZD-26-M8-*	26	M 8	28	8	52	24	6	12	M8x18	GN 565-26-...	79
GN 181-ZD-28-M10-*	28	M 10	30	10	56	26	6.5	13.5	M10x20	GN 426-28-... / GN 426.1-28-...	89