

Base Plate Connector Clamps

Aluminum

SPECIFICATION

Identification No.

No. **2**: With stainless steel socket cap screw DIN 912

Aluminum

- Powder coated
Black, RAL 9005, textured finish **SW**
- Plain, matte shot-blasted **BL**

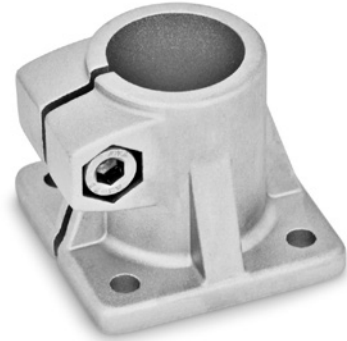
Socket cap screws DIN 912

Stainless Steel AISI 304

Hex nuts DIN 985

Stainless Steel AISI 304

Self-locking via polyamide ring



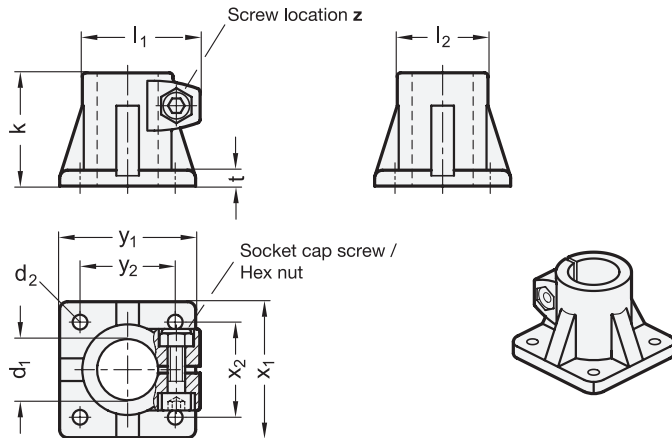
INFORMATION

The clamping bore of base plate connector clamps GN 163 is mechanically machined and designed for construction tubes GN 990 (see page 1902) or DIN 2391, DIN 2395 and DIN 2462.

At the screw location **z**, the socket cap screw reduces the bore cross-section for clamping.

TECHNICAL INFORMATION

- Stainless Steel Characteristics (see page A26)



* Complete with

SW RAL9005 Plain **BL**

GN 163

Description	d ₁ Bore	k Clamping length	d ₂	l ₁	l ₂	t	x ₁	x ₂	y ₁	y ₂	z Screw location	△
GN 163-B20-50-2-*	B 20	50	6.5	52	40	7	60	42	60	42	M8-25	200
GN 163-B25-50-2-*	B 25	50	6.5	52	40	7	60	42	60	42	M8-25	176
GN 163-B30-50-2-*	B 30	50	6.5	52	40	7	60	42	60	42	M8-25	154
GN 163-B30-70-2-*	B 30	70	8.5	68	56	10	90	64	90	64	M10-35	530
GN 163-B32-70-2-*	B 32	70	8.5	68	56	10	90	64	90	64	M10-35	505
GN 163-B35-70-2-*	B 35	70	8.5	68	56	10	90	64	90	64	M10-35	484
GN 163-B40-70-2-*	B 40	70	8.5	68	56	10	90	64	90	64	M10-35	470
GN 163-B40-85-2-*	B 40	85	11	77.5	65	14	105	74	105	74	M10-50	870
GN 163-B42-85-2-*	B 42	85	11	77.5	65	14	105	74	105	74	M10-50	829
GN 163-B45-85-2-*	B 45	85	11	77.5	65	14	105	74	105	74	M10-50	775
GN 163-B48-85-2-*	B 48	85	11	77.5	65	14	105	74	105	74	M10-50	710
GN 163-B50-85-2-*	B 50	85	11	77.5	65	14	105	74	105	74	M10-50	700
GN 163-B60-100-2-*	B 60	100	11	92	80	14	125	89	125	89	M10-50	975

Weight SW