

## Flanged Linear Actuator Connectors

Aluminum, Split Assembly, with 4 Mounting Holes

### SPECIFICATION

#### Identification No.

No. **2**: With 2 stainless steel socket cap screws DIN 912

Aluminum

Powder coated

Black, RAL 9005, textured finish **SW**

Socket cap screws DIN 912

Stainless steel AISI 304

Hex nuts DIN 985

Stainless steel AISI 304

Self-locking via polyamide ring



### INFORMATION

Flanged linear actuator connectors GN 147.1 are based on flanged connector clamps. The additionally provided mounting holes are used to connect to the drive key of a linear actuator.

With the screw location **z**, the play of the guide bores  $d_1 / s$  can be adjusted or the linear actuator connectors can be clamped after adjustment.

For quick clamping without tools, the socket cap screws can be replaced by the adjustable hand levers GN 911 (see page 1874) listed in the table as accessories.

- List of Linear Actuator Connector Types (see page )

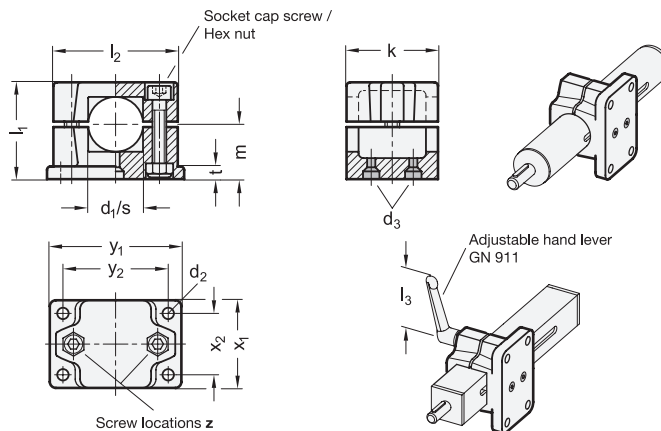
### ACCESSORY

- Adjustable Hand Levers GN 911 (see page 1874)

### TECHNICAL INFORMATION

- Plastic Characteristics (see page A2)

- Stainless Steel Characteristics (see page A26)



### GN 147.1

Description	$d_1$ Bore	$s$ Square	$d_2$	$d_3$ Mounting screws on the drive key	$k$ Clamping length	$l_1$	$l_2$	$m$	$t$	$x_1$	$x_2$	$y_1$	$y_2$	$z$ Screw locations	Accessory Recom. hand lever GN 911 for $z$ $l_3$	
GN 147.1-V30-2-SW	-	V 30	6.5	M 4	50	53	68	30	7	50	35	75	60	M8-35	63   78	221
GN 147.1-B30-2-SW	B 30	-	6.5	M 4	50	53	68	30	7	50	35	75	60	M8-35	63   78	232
GN 147.1-V40-2-SW	-	V 40	11	M 5	76	81.5	98	46.5	14	76	50	115	90	M10-60	78   92	643
GN 147.1-B40-2-SW	B 40	-	11	M 5	76	81.5	98	46.5	14	76	50	115	90	M10-60	78   92	665
GN 147.1-V50-2-SW	-	V 50	11	M 6	76	81.5	98	46.5	14	76	50	115	90	M10-60	78   92	680
GN 147.1-B50-2-SW	B 50	-	11	M 6	76	81.5	98	46.5	14	76	50	115	90	M10-60	78   92	700