

## Flanged Connector Clamps

Aluminum / Stainless Steel, with 2 Mounting Holes

### SPECIFICATION

#### Identification No.

No. **2**: With 2 stainless steel socket cap screws DIN 912

#### Version in Aluminum

Powder coated

Black, RAL 9005, textured finish **SW**

Plain, matte shot-blasted **BL**

#### Version in Stainless Steel

Stainless steel AISI CF-8 **NI**

Matte shot-blasted

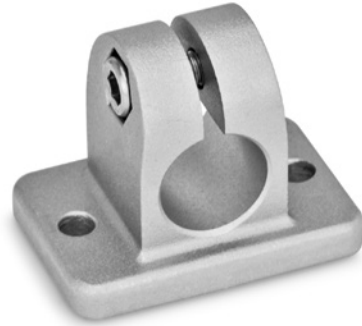
Socket cap screws DIN 912

Stainless steel AISI 304

Hex nuts DIN 985

Stainless steel AISI 304

Self-locking via polyamide ring



### INFORMATION

The clamping bore of flanged connector clamps GN 145 are mechanically machined and designed for construction tubes GN 990 (see page 1902) or DIN 2391, DIN 2395 and DIN 2462.

Flanged connector clamps GN 145 can also be mounted to **profile systems**.

At the screw location **z**, the socket cap screw reduces the bore cross-section for clamping.

For clamping without tools, the socket cap screw can be replaced by an adjustable hand lever GN 911 (see page 1874) / GN 911.3 (see page 1875) listed in the table as accessory.

### ACCESSORY

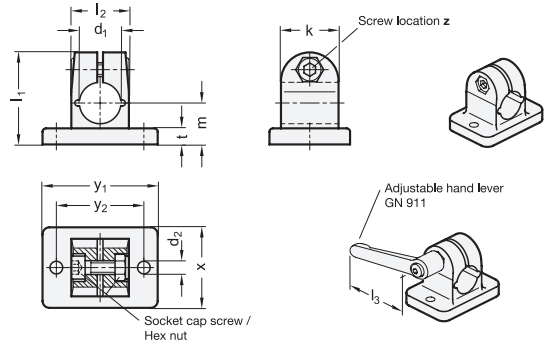
- Adjustable Hand Levers GN 911 (see page 1874) / GN 911.3 (see page 1875)

### TECHNICAL INFORMATION

- Stainless Steel Characteristics (see page A26)

\* Complete with

**SW** RAL9005    **BL** Plain



### GN 145-AL

Description	d <sub>1</sub> Bore	d <sub>2</sub>	k Clamping length	l <sub>1</sub>	l <sub>2</sub>	m	t	x	y <sub>1</sub>	y <sub>2</sub>	z Screw location	Accessory Recom. hand lever GN 911 for z l <sub>3</sub>	⚖️
GN 145-B10-2-*	B 10	5.5	25	40	25	18	7	35	50	38	M6-20	63	71
GN 145-B12-2-*	B 12	5.5	25	40	25	18	7	35	50	38	M6-20	45   63	67
GN 145-B14-2-*	B 14	5.5	25	40	25	18	7	35	50	38	M6-20	45   63	65
GN 145-B15-2-*	B 15	5.5	25	40	25	18	7	35	50	38	M6-20	45   63	63
GN 145-B16-2-*	B 16	5.5	25	40	25	18	7	35	50	38	M6-20	45   63	62
GN 145-B18-2-*	B 18	5.5	25	40	25	18	7	35	50	38	M6-20	45   63	50

Weight BL

### GN 145-NI

**STAINLESS STEEL**

Description	d <sub>1</sub> Bore	d <sub>2</sub>	k Clamping length	l <sub>1</sub>	l <sub>2</sub>	m	t	x	y <sub>1</sub>	y <sub>2</sub>	z Screw location	Accessory Recom. hand lever GN 911 for z l <sub>3</sub>	⚖️
GN 145-B12-2-NI	B 12	5.5	25	40	25	18	7	35	50	38	M6-20	-	71
GN 145-B14-2-NI	B 14	5.5	25	40	25	18	7	35	50	38	M6-20	-	67
GN 145-B15-2-NI	B 15	5.5	25	40	25	18	7	35	50	38	M6-20	-	65
GN 145-B16-2-NI	B 16	5.5	25	40	25	18	7	35	50	38	M6-20	-	63
GN 145-B18-2-NI	B 18	5.5	25	40	25	18	7	35	50	38	M6-20	63	62
GN 145-B20-2-NI	B 20	5.5	25	40	25	18	7	35	50	38	M6-20	45   63	50