

Hinges

Steel Profile, for Welding

SPECIFICATION

Types

- Type **A**: Without bores
- Type **S**: Without bores, with lubricating nipple

Steel profile **ST**

Rolled, scaled
or drawn, plain **BL**

Pin

Steel

Lubricating nipple similar to DIN 71412-A

Steel

Zinc plated, blue passivated

INFORMATION

Hinges GN 1366 are made of rolled or drawn steel profiles and are very robust.

Type A and S is fastened by welding or holes created by the customer. Type S also has a lubricating nipple similar to DIN 71412-A, which allows quick and easy relubrication without dismantling the hinges.

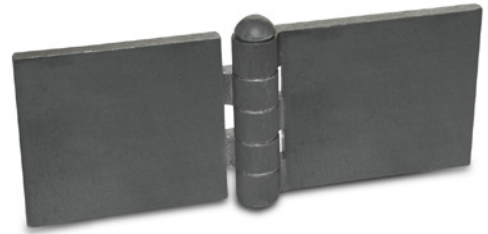
Thanks to the standard dimensions, special application-specific solutions can be realized even in relatively small quantities.

TECHNICAL INFORMATION

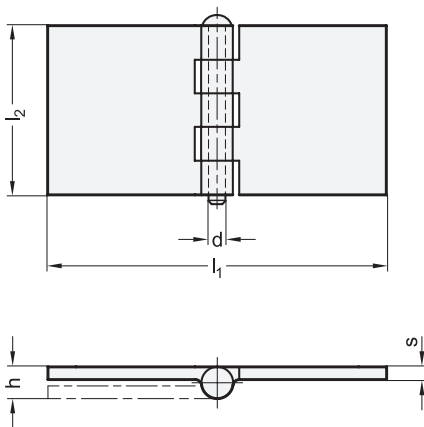
- Load rating information of hinges (see page A40)
- List of hinges types (see page 1362)

ON REQUEST

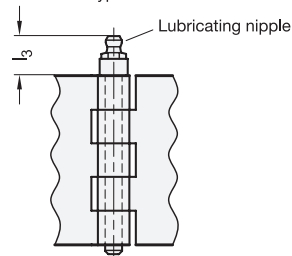
- With loose pin
- With brass pin
- With plain bearing bush (bronze)
- With holes
- Other dimensions
- Other finish types



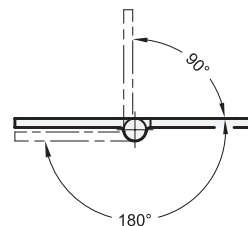
Type A

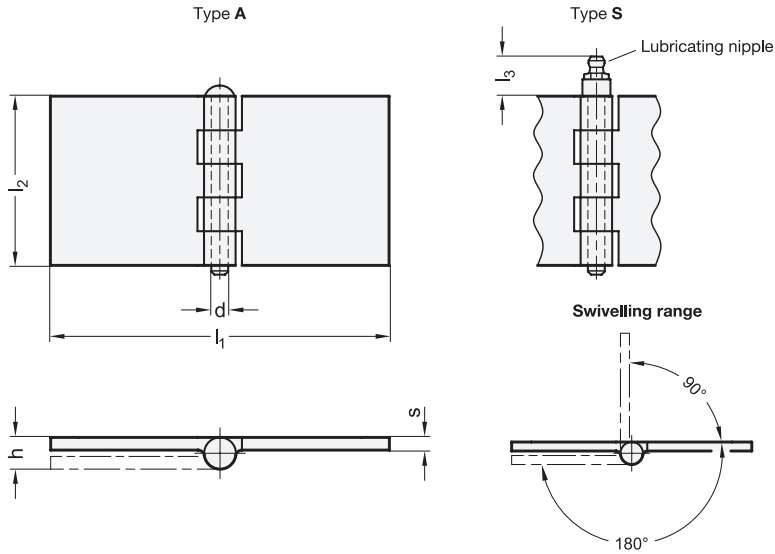


Type S



Swivelling range





GN 1366-A

Description	l1	l2	d	h	s	⚖️
GN 1366-ST-60-30-A-BL	60	30	6	12	5	87
GN 1366-ST-120-30-A-BL	120	30	6	12	5	160
GN 1366-ST-160-30-A-BL	160	30	6	12	5	200
GN 1366-ST-60-40-A-BL	60	40	6	12	5	113
GN 1366-ST-120-40-A-BL	120	40	6	12	5	210
GN 1366-ST-160-40-A-BL	160	40	6	12	5	260
GN 1366-ST-60-50-A-BL	60	50	6	12	5	140
GN 1366-ST-120-50-A-BL	120	50	6	12	5	263
GN 1366-ST-160-50-A-BL	160	50	6	12	5	303
GN 1366-ST-60-60-A-BL	60	60	6	12	5	168
GN 1366-ST-120-60-A-BL	120	60	6	12	5	313
GN 1366-ST-160-60-A-BL	160	60	8	15	6	490
GN 1366-ST-160-80-A-BL	160	80	8	15	6	644
GN 1366-ST-200-80-A-BL	200	80	8	15	6	800
GN 1366-ST-160-100-A-BL	160	100	8	16	7	969
GN 1366-ST-200-100-A-BL	200	100	8	16	7	1200
GN 1366-ST-220-100-A-BL	220	100	13	26	10	1980

GN 1366-S

Description	l1	l2	d	h	l3 ≈	s	⚖️
GN 1366-ST-60-40-S-BL	60	40	6	12	21	5	122
GN 1366-ST-120-40-S-BL	120	40	6	12	21	5	216
GN 1366-ST-160-40-S-BL	160	40	6	12	21	5	275
GN 1366-ST-60-50-S-BL	60	50	6	12	21	5	150
GN 1366-ST-120-50-S-BL	120	50	6	12	21	5	269
GN 1366-ST-160-50-S-BL	160	50	6	12	21	5	343
GN 1366-ST-60-60-S-BL	60	60	6	12	21	5	174
GN 1366-ST-120-60-S-BL	120	60	6	12	21	5	318
GN 1366-ST-160-60-S-BL	160	60	8	15	11	6	478
GN 1366-ST-160-80-S-BL	160	80	8	15	11	6	635
GN 1366-ST-200-80-S-BL	200	80	8	15	11	6	806
GN 1366-ST-160-100-S-BL	160	100	8	16	11	7	973
GN 1366-ST-200-100-S-BL	200	100	8	16	11	7	1176
GN 1366-ST-220-100-S-BL	220	100	13	26	21	10	1950

