

## Sheet Metal Hinges

**Stainless Steel / Steel, Square or Vertically Elongated, Horizontally Elongated**

### SPECIFICATION

#### Types

- Type **A**: Without bores (only in stainless steel NI)
- Type **B**: With through-holes
- Type **C**: With countersunk holes

#### Version in Steel

##### Steel **ST**

Only type B and C  
Zinc plated, blue passivated

#### Version in Stainless Steel

Stainless steel AISI 304 **NI**

All types

Stainless steel AISI 316 **A4**

Only type B and C

#### Pin

Stainless Steel

- AISI 304 (for ST, NI)
- AISI 316 (for A4)
- Riveted

### INFORMATION

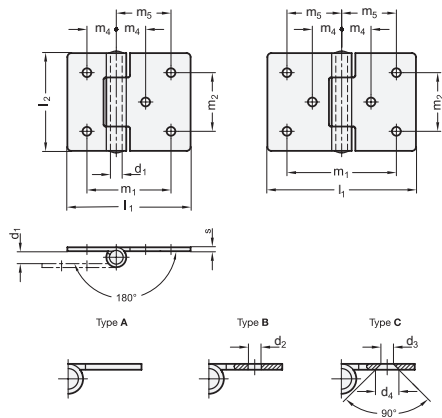
Sheet metal hinges GN 136 are available in many different versions and are suitable for light to medium-duty applications.

Type A can be fixed in place by welding or by using holes made by the customer.

The stainless steel versions are particularly suited for applications in highly aggressive conditions.

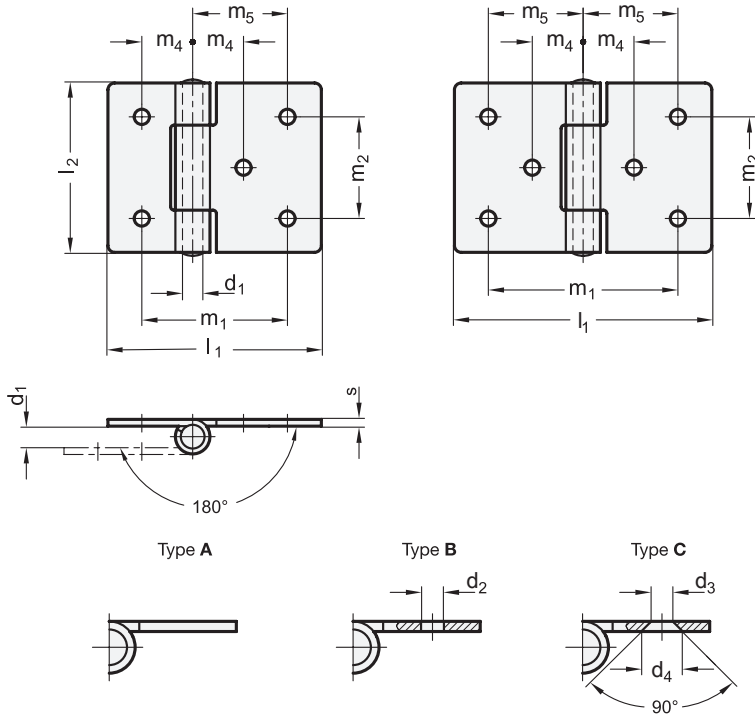
### TECHNICAL INFORMATION

- List of Hinges Types (see page 1362)
- Stainless Steel Characteristics (see page A26)
- Load Rating Information of Hinges (see page A40)



### GN 136-ST-HE

Description	l <sub>1</sub> elongated on one side	l <sub>1</sub> elongated on both sides	l <sub>2</sub>	d <sub>1</sub>	d <sub>2</sub>	d <sub>3</sub>	d <sub>4</sub>	m <sub>1</sub>	m <sub>2</sub>	m <sub>4</sub>	m <sub>5</sub>	s	⚖
GN 136-ST-45-30-B	45	-	30	3	3.2	-	-	33	18	9	-	1.5	19
GN 136-ST-45-30-C	45	-	30	3	-	4	6.4	33	18	9	-	1.5	19
GN 136-ST-60-30-B	-	60	30	3	3.2	-	-	48	18	9	24	1.5	24
GN 136-ST-60-30-C	-	60	30	3	-	4	6.4	48	18	9	24	1.5	24
GN 136-ST-60-40-B	60	-	40	4	4.2	-	-	45	25	12.5	-	2	45
GN 136-ST-60-40-C	60	-	40	4	-	5	8.3	45	25	12.5	-	2	45
GN 136-ST-80-40-B	-	80	40	4	4.2	-	-	65	25	12.5	32.5	2	58
GN 136-ST-80-40-C	-	80	40	4	-	5	8.3	65	25	12.5	32.5	2	58
GN 136-ST-75-50-B	75	-	50	6	5.2	-	-	55	30	15	-	2	79
GN 136-ST-75-50-C	75	-	50	6	-	5	8.3	55	30	15	-	2	79
GN 136-ST-100-50-B	-	100	50	6	5.2	-	-	80	30	15	40	2	98
GN 136-ST-100-50-C	-	100	50	6	-	5	8.3	80	30	15	40	2	98
GN 136-ST-90-60-B	90	-	60	6	5.2	-	-	66	36	18	-	2	108
GN 136-ST-90-60-C	90	-	60	6	-	5	8.3	66	36	18	-	2	108
GN 136-ST-120-60-B	-	120	60	6	5.2	-	-	96	36	18	48	2	136
GN 136-ST-120-60-C	-	120	60	6	-	5	8.3	96	36	18	48	2	136

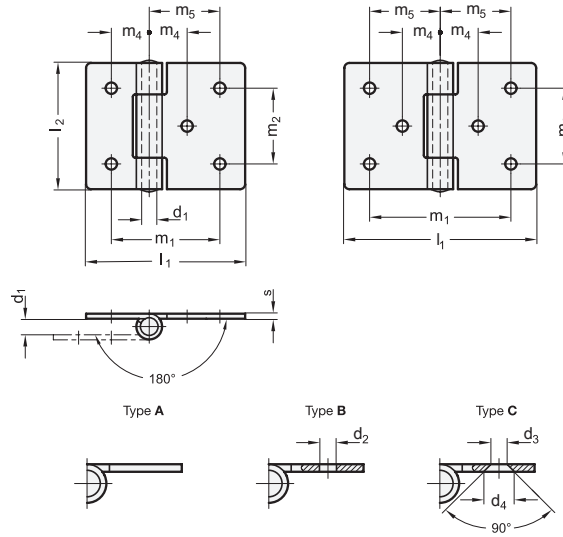


GN 136-NI-HE

STAINLESS STEEL

Description	l <sub>1</sub> elongated on one side	l <sub>1</sub> elongated on both sides	l <sub>2</sub>	d <sub>1</sub>	d <sub>2</sub>	d <sub>3</sub>	d <sub>4</sub>	m <sub>1</sub>	m <sub>2</sub>	m <sub>4</sub>	m <sub>5</sub>	s	⚖️
GN 136-NI-45-30-A	45	-	30	3	-	-	-	33	18	9	-	1.5	20
GN 136-NI-45-30-B	45	-	30	3	3.2	-	-	33	18	9	-	1.5	19
GN 136-NI-45-30-C	45	-	30	3	-	4	6.4	33	18	9	-	1.5	19
GN 136-NI-60-30-A	-	60	30	3	-	-	-	48	18	9	24	1.5	25
GN 136-NI-60-30-B	-	60	30	3	3.2	-	-	48	18	9	24	1.5	24
GN 136-NI-60-30-C	-	60	30	3	-	4	6.4	48	18	9	24	1.5	24
GN 136-NI-60-40-A	60	-	40	4	-	-	-	45	25	12.5	-	2	47
GN 136-NI-60-40-B	60	-	40	4	4.2	-	-	45	25	12.5	-	2	45
GN 136-NI-60-40-C	60	-	40	4	-	5	8.3	45	25	12.5	-	2	45
GN 136-NI-75-50-A	75	-	50	6	-	-	-	55	30	15	-	2	81
GN 136-NI-75-50-B	75	-	50	6	5.2	-	-	55	30	15	-	2	79
GN 136-NI-75-50-C	75	-	50	6	-	5	8.3	55	30	15	-	2	79
GN 136-NI-80-40-A	-	80	40	4	-	-	-	65	25	12.5	32.5	2	59
GN 136-NI-80-40-B	-	80	40	4	4.2	-	-	65	25	12.5	32.5	2	58
GN 136-NI-80-40-C	-	80	40	4	-	5	8.3	65	25	12.5	32.5	2	58
GN 136-NI-90-60-A	90	-	60	6	-	-	-	66	36	18	-	2	111
GN 136-NI-90-60-B	90	-	60	6	5.2	-	-	66	36	18	-	2	108
GN 136-NI-90-60-C	90	-	60	6	-	5	8.3	66	36	18	-	2	108
GN 136-NI-100-50-A	-	100	50	6	-	-	-	80	30	15	40	2	99
GN 136-NI-100-50-B	-	100	50	6	5.2	-	-	80	30	15	40	2	98
GN 136-NI-100-50-C	-	100	50	6	-	5	8.3	80	30	15	40	2	98
GN 136-NI-120-60-A	-	120	60	6	-	-	-	96	36	18	48	2	139
GN 136-NI-120-60-B	-	120	60	6	5.2	-	-	96	36	18	48	2	136
GN 136-NI-120-60-C	-	120	60	6	-	5	8.3	96	36	18	-	2	108





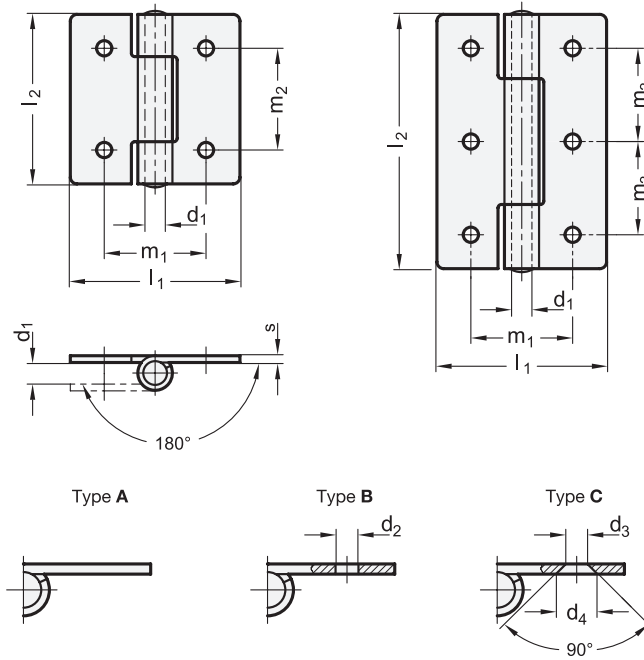
GN 136-A4-HE

STAINLESS STEEL

Description	l <sub>1</sub> elongated on one side	l <sub>1</sub> elongated on both sides	l <sub>2</sub>	d <sub>1</sub>	d <sub>2</sub>	d <sub>3</sub>	d <sub>4</sub>	m <sub>1</sub>	m <sub>2</sub>	m <sub>4</sub>	m <sub>5</sub>	s	
GN 136-A4-45-30-B	45	-	30	3	3.2	-	-	33	18	9	-	1.5	19
GN 136-A4-45-30-C	45	-	30	3	-	4	6.4	33	18	9	-	1.5	19
GN 136-A4-60-30-B	-	60	30	3	3.2	-	-	48	18	9	24	1.5	24
GN 136-A4-60-30-C	-	60	30	3	-	4	6.4	48	18	9	24	1.5	24
GN 136-A4-60-40-B	60	-	40	4	4.2	-	-	45	25	12.5	-	2	45
GN 136-A4-60-40-C	60	-	40	4	-	5	8.3	45	25	12.5	-	2	45
GN 136-A4-75-50-B	75	-	50	6	5.2	-	-	55	30	15	-	2	79
GN 136-A4-75-50-C	75	-	50	6	-	5	8.3	55	30	15	-	2	79
GN 136-A4-80-40-B	-	80	40	4	4.2	-	-	65	25	12.5	32.5	2	58
GN 136-A4-80-40-C	-	80	40	4	-	5	8.3	65	25	12.5	32.5	2	58
GN 136-A4-90-60-B	90	-	60	6	5.2	-	-	66	36	18	-	2	108
GN 136-A4-90-60-C	90	-	60	6	-	5	8.3	66	36	18	-	2	108
GN 136-A4-100-50-B	-	100	50	6	5.2	-	-	80	30	15	40	2	98
GN 136-A4-100-50-C	-	100	50	6	-	5	8.3	80	30	15	40	2	98
GN 136-A4-120-60-B	-	120	60	6	5.2	-	-	96	36	18	48	2	136
GN 136-A4-120-60-C	-	120	60	6	-	5	8.3	96	36	18	48	2	136

GN 136-ST-SVE

Description	l <sub>1</sub>	l <sub>2</sub> Square	l <sub>2</sub> 1,5x elongated	d <sub>1</sub>	d <sub>2</sub>	d <sub>3</sub>	d <sub>4</sub>	m <sub>1</sub>	m <sub>2</sub>	m <sub>3</sub>	s	
GN 136-ST-30-30-B	30	30	45	3	3.2	-	-	18	18	-	1.5	14
GN 136-ST-30-30-C	30	30	45	3	-	4	6.4	18	18	-	1.5	14
GN 136-ST-30-45-B	30	30	45	3	3.2	-	-	18	-	16.5	1.5	21
GN 136-ST-30-45-C	30	30	45	3	-	4	6.4	18	-	16.5	1.5	21
GN 136-ST-40-40-B	40	40	60	4	4.2	-	-	25	25	-	2	33
GN 136-ST-40-40-C	40	40	60	4	-	5	8.3	25	25	-	2	33
GN 136-ST-40-60-B	40	40	60	4	4.2	-	-	25	-	22.5	2	51
GN 136-ST-40-60-C	40	40	60	4	-	5	8.3	25	-	22.5	2	51
GN 136-ST-50-50-B	50	50	75	6	5.2	-	-	30	30	-	2	61
GN 136-ST-50-50-C	50	50	75	6	-	5	8.3	30	30	-	2	61
GN 136-ST-50-75-B	50	50	75	6	5.2	-	-	30	-	27.5	2	90
GN 136-ST-50-75-C	50	50	75	6	-	5	8.3	30	-	27.5	2	90
GN 136-ST-60-60-B	60	60	90	6	5.2	-	-	36	36	-	2	80
GN 136-ST-60-60-C	60	60	90	6	-	5	8.3	36	36	-	2	80
GN 136-ST-60-90-B	60	60	90	6	5.2	-	-	36	-	33	2	121
GN 136-ST-60-90-C	60	60	90	6	-	5	8.3	36	-	33	2	121

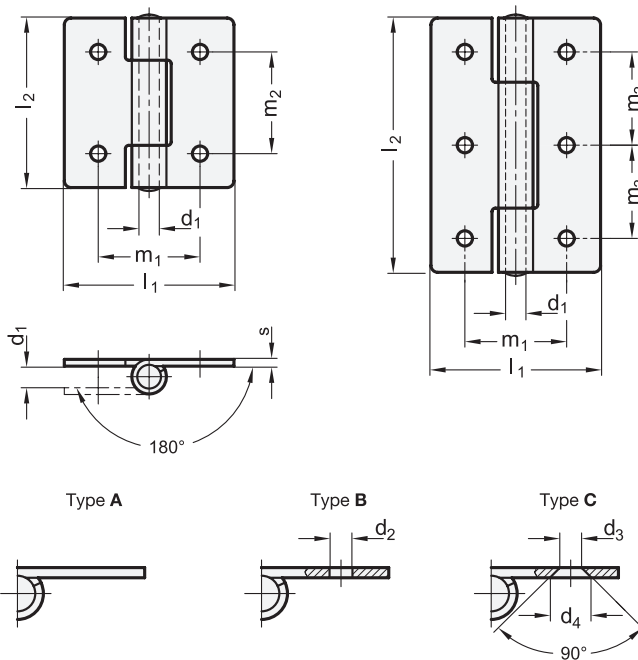


GN 136-NI-SVE

STAINLESS STEEL

Description	l1	l2 Square	l2 1.5x elongated	d1	d2	d3	d4	m1	m2	m3	s	⚖
GN 136-NI-30-30-A	30	30	45	3	-	-	-	-	-	-	1.5	15
GN 136-NI-30-30-B	30	30	45	3	3.2	-	-	18	18	-	1.5	14
GN 136-NI-30-30-C	30	30	45	3	-	4	6.4	18	18	-	1.5	14
GN 136-NI-30-45-A	30	30	45	3	-	-	-	-	-	-	1.5	22
GN 136-NI-30-45-B	30	30	45	3	3.2	-	-	18	-	16.5	1.5	21
GN 136-NI-30-45-C	30	30	45	3	-	4	6.4	18	-	16.5	1.5	21
GN 136-NI-40-40-A	40	40	60	4	-	-	-	-	-	-	2	34
GN 136-NI-40-40-B	40	40	60	4	4.2	-	-	25	25	-	2	33
GN 136-NI-40-40-C	40	40	60	4	-	5	8.3	25	25	-	2	33
GN 136-NI-40-60-A	40	40	60	4	-	-	-	-	-	-	2	52
GN 136-NI-40-60-B	40	40	60	4	4.2	-	-	25	-	22.5	2	51
GN 136-NI-40-60-C	40	40	60	4	-	5	8.3	25	-	22.5	2	51
GN 136-NI-50-50-A	50	50	75	6	-	-	-	-	-	-	2	62
GN 136-NI-50-50-B	50	50	75	6	5.2	-	-	30	30	-	2	61
GN 136-NI-50-50-C	50	50	75	6	-	5	8.3	30	30	-	2	61
GN 136-NI-50-75-A	50	50	75	6	-	-	-	-	-	-	2	93
GN 136-NI-50-75-B	50	50	75	6	5.2	-	-	30	-	27.5	2	90
GN 136-NI-50-75-C	50	50	75	6	-	5	8.3	30	-	27.5	2	90
GN 136-NI-60-60-A	60	60	90	6	-	-	-	-	-	-	2	83
GN 136-NI-60-60-B	60	60	90	6	5.2	-	-	36	36	-	2	80
GN 136-NI-60-60-C	60	60	90	6	-	5	8.3	36	36	-	2	80
GN 136-NI-60-90-A	60	60	90	6	-	-	-	-	-	-	2	122
GN 136-NI-60-90-B	60	60	90	6	5.2	-	-	36	-	33	2	121
GN 136-NI-60-90-C	60	60	90	6	-	5	8.3	36	-	33	2	121





GN 136-A4-SVE

STAINLESS STEEL

Description	l <sub>1</sub>	l <sub>2</sub> Square	l <sub>2</sub> 1,5x elongated	d <sub>1</sub>	d <sub>2</sub>	d <sub>3</sub>	d <sub>4</sub>	m <sub>1</sub>	m <sub>2</sub>	m <sub>3</sub>	s	⚖
GN 136-A4-30-30-B	30	30	45	3	3.2	-	-	18	18	-	1.5	14
GN 136-A4-30-30-C	30	30	45	3	-	4	6.4	18	18	-	1.5	14
GN 136-A4-30-45-B	30	30	45	3	3.2	-	-	18	-	16.5	1.5	21
GN 136-A4-30-45-C	30	30	45	3	-	4	6.4	18	-	16.5	1.5	21
GN 136-A4-40-40-B	40	40	60	4	4.2	-	-	25	25	-	2	33
GN 136-A4-40-40-C	40	40	60	4	-	5	8.3	25	25	-	2	33
GN 136-A4-40-60-B	40	40	60	4	4.2	-	-	25	-	22.5	2	51
GN 136-A4-40-60-C	40	40	60	4	-	5	8.3	25	-	22.5	2	51
GN 136-A4-50-50-B	50	50	75	6	5.2	-	-	30	30	-	2	61
GN 136-A4-50-50-C	50	50	75	6	-	5	8.3	30	30	-	2	61
GN 136-A4-50-75-B	50	50	75	6	5.2	-	-	30	-	27.5	2	90
GN 136-A4-50-75-C	50	50	75	6	-	5	8.3	30	-	27.5	2	90
GN 136-A4-60-60-B	60	60	90	6	5.2	-	-	36	36	-	2	80
GN 136-A4-60-60-C	60	60	90	6	-	5	8.3	36	36	-	2	80
GN 136-A4-60-90-B	60	60	90	6	5.2	-	-	36	-	33	2	121
GN 136-A4-60-90-C	60	60	90	6	-	5	8.3	36	-	33	2	121

Hinges and accessories 12