

Two-Way Linear Actuator Connectors

Aluminum, Multi Part Assembly,
Unequal Bore Dimensions d_1 / s_1 and d_2 / s_2

SPECIFICATION

Identification no.

No. 2: With 4 stainless steel socket cap screws DIN 912

Aluminum

Powder coated

Black, RAL 9005, textured finish **SW**

Socket cap screws DIN 912

Stainless steel AISI 304

Hex nuts DIN 985

Stainless steel AISI 304

Self-locking via polyamide ring

INFORMATION

Two-way linear actuator connectors GN 135.1 are based on two-way connector clamps. The additionally provided mounting holes are used to connect to the drive key of a linear actuator.

The mounting holes d_3 for the drive key are always located in the bore d_1 or the square s_1 in the one-axis system. Centering bushings in the through-hole eliminate the axial clearance. The width of the s_1 square is dimensionally aligned with the play of the square linear actuators.

For quick clamping without tools, the socket cap screws can be replaced by the adjustable hand levers GN 911 (see page 1874) listed in the table as accessories.

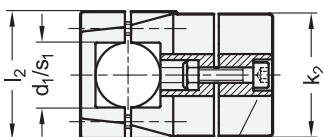
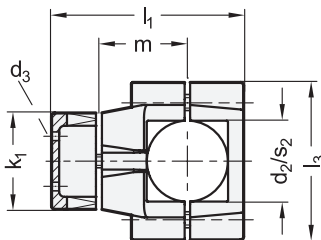
ACCESSORY

- Adjustable Hand Levers GN 911 (see page 1874)

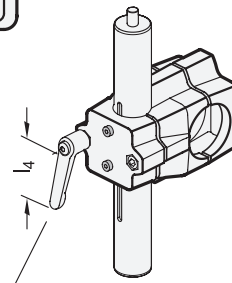
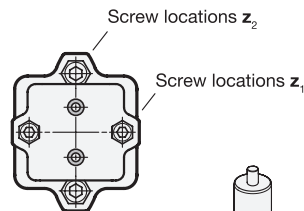
TECHNICAL INFORMATION

- Plastic Characteristics (see page A2)

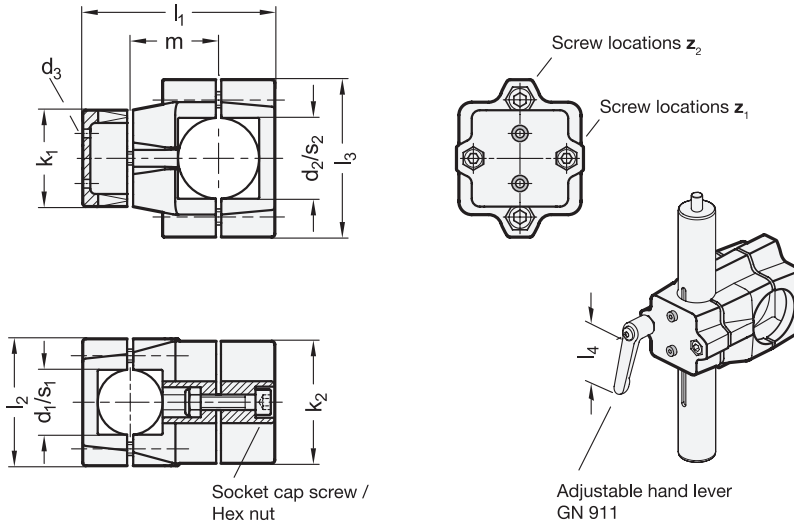
- Stainless Steel Characteristics (see page A26)



Socket cap screw /
Hex nut



Adjustable hand lever
GN 911



GN 135.1-B-B

Description	d1 Bore	d2 Bore	d3 Mounting screws on the drive key	k1 Clamping length	k2 Clamping length	l1	l2	l3	m	z1 Screw locations	z2 Screw locations	Accessory Recom. hand lever GN 911 for z1 l4	Accessory Recom. hand lever GN 911 for z2 l4	⚖
GN 135.1-B30-B40-2-SW	B 30	B 40	M 4	60	76	120	79	98	55	M8-50	M10-55	63 78	78 92	869
GN 135.1-B30-B50-2-SW	B 30	B 50	M 5	60	76	120	79	98	55	M8-50	M10-55	63 78	78 92	834
GN 135.1-B40-B50-2-SW	B 40	B 50	M 6	60	76	120	79	98	55	M8-50	M10-55	78 78	78 92	813

GN 135.1-B-S

Description	d1 Bore	s2 Square	d3 Mounting screws on the drive key	k1 Clamping length	k2 Clamping length	l1	l2	l3	m	z1 Screw locations	z2 Screw locations	Accessory Recom. hand lever GN 911 for z1 l4	Accessory Recom. hand lever GN 911 for z2 l4	⚖
GN 135.1-B30-V40-2-SW	B 30	V 40	M 4	60	76	120	79	98	55	M8-50	M10-55	63 78	78 92	929
GN 135.1-B30-V50-2-SW	B 30	V 50	M 5	60	76	120	79	98	55	M8-50	M10-55	63 78	78 92	802
GN 135.1-B40-V50-2-SW	B 40	V 50	M 6	60	76	120	79	98	55	M8-50	M10-55	78 78	78 92	785

GN 135.1-S-B

Description	s1 Square	d2 Bore	d3 Mounting screws on the drive key	k1 Clamping length	k2 Clamping length	l1	l2	l3	m	z1 Screw locations	z2 Screw locations	Accessory Recom. hand lever GN 911 for z1 l4	Accessory Recom. hand lever GN 911 for z2 l4	⚖
GN 135.1-V30-B40-2-SW	V 30	B 40	M 4	60	76	120	79	98	55	M8-50	M10-55	63 78	78 92	857
GN 135.1-V30-B50-2-SW	V 30	B 50	M 5	60	76	120	79	98	55	M8-50	M10-55	63 78	78 92	825
GN 135.1-V40-B50-2-SW	V 40	B 50	M 6	60	76	120	79	98	55	M8-50	M10-55	78 78	78 92	767

GN 135.1-S-S

Description	s1 Square	s2 Square	d3 Mounting screws on the drive key	k1 Clamping length	k2 Clamping length	l1	l2	l3	m	z1 Screw locations	z2 Screw locations	Accessory Recom. hand lever GN 911 for z1 l4	Accessory Recom. hand lever GN 911 for z2 l4	⚖
GN 135.1-V30-V40-2-SW	V 30	V 40	M 4	60	76	120	79	98	55	M8-50	M10-55	63 78	78 92	838
GN 135.1-V30-V50-2-SW	V 30	V 50	M 5	60	76	120	79	98	55	M8-50	M10-55	63 78	78 92	789
GN 135.1-V40-V50-2-SW	V 40	V 50	M 6	60	76	120	79	98	55	M8-50	M10-55	78 78	78 92	737

