

## Two-Way Connector Clamps

Aluminum, Multi Part Assembly

### SPECIFICATION

#### Identification No.

No. **2**: With 4 stainless steel socket cap screws DIN 912

Aluminum

- Powder coated  
Black, RAL 9005, textured finish **SW**
- Plain, matte shot-blasted **BL**

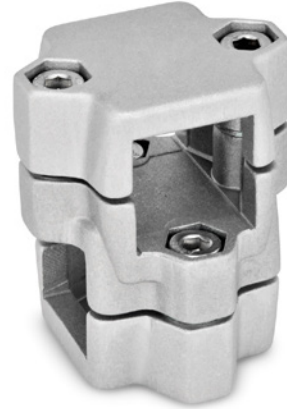
Socket cap screws DIN 912

Stainless Steel AISI 304

Hex nuts DIN 985

Stainless Steel AISI 304

Self-locking via polyamide ring



### INFORMATION

The clamping bores of two-way connector clamps GN 134 are not machined and designed for construction tubes GN 990 (see page 1902) or DIN 2391, DIN 2395 and DIN 2462.

The versions with square bores are also suitable for use with **profile systems**.

At the screw locations **z**, the socket cap screws reduce the bore cross-section for clamping.

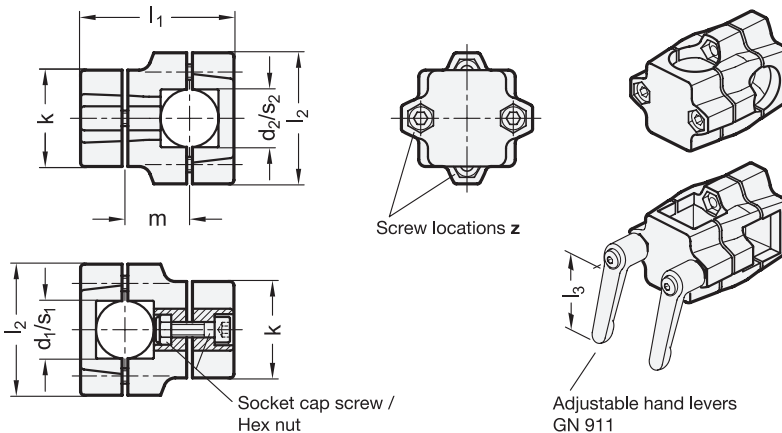
For clamping without tools, the socket cap screws can be replaced by the adjustable hand levers GN 911 (see page 1874) listed in the table as accessories.

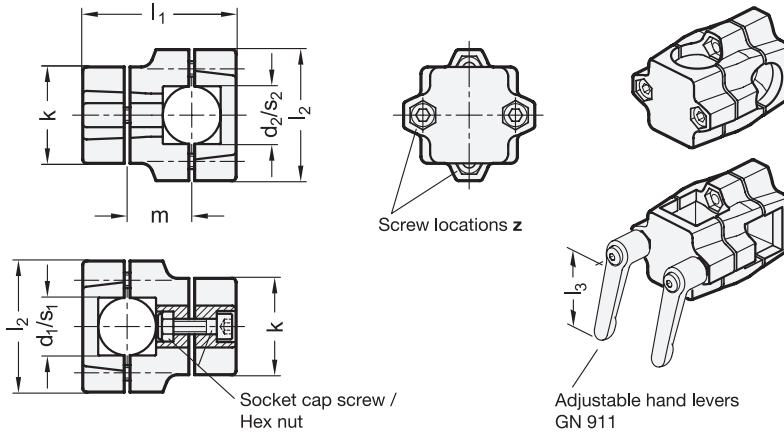
### ACCESSORY

- Adjustable Hand Levers GN 911 (see page 1874)

### TECHNICAL INFORMATION

- Stainless Steel Characteristics (see page A26)





\* Complete with  
 SW BL  
 RAL9005 Plain

GN 134-B-B

Description	d1-d2	k Clamping length	l1	l2	m	z Screw locations	Accessory Recom.hand lever GN 911 for z I3	⚖
GN 134-B20-B20-50-2-*	B20-B20	50	79.5	68	33.5	M8-30	63   78	357
GN 134-B25-B25-50-2-*	B25-B25	50	79.5	68	33.5	M8-30	63   78	326
GN 134-B30-B30-50-2-*	B30-B30	50	79.5	68	33.5	M8-30	63   78	310
GN 134-B30-B30-60-2-*	B30-B30	60	109	79	50	M8-50	63   78	698
GN 134-B32-B32-60-2-*	B32-B32	60	109	79	50	M8-50	63   78	686
GN 134-B35-B35-60-2-*	B35-B35	60	109	79	50	M8-50	63   78	666
GN 134-B40-B40-60-2-*	B40-B40	60	109	79	50	M8-50	63   78	614
GN 134-B40-B40-76-2-*	B40-B40	76	125	98	55	M10-50	78   92	975
GN 134-B42-B42-76-2-*	B42-B42	76	125	98	55	M10-50	78   92	947
GN 134-B45-B45-76-2-*	B45-B45	76	125	98	55	M10-50	78   92	930
GN 134-B48-B48-76-2-*	B48-B48	76	125	98	55	M10-50	78   92	914
GN 134-B50-B50-76-2-*	B50-B50	76	125	98	55	M10-50	78   92	885

GN 134-B-S

Description	d1-s2	k Clamping length	l1	l2	m	z Screw locations	Accessory Recom.hand lever GN 911 for z I3	⚖
GN 134-B20-V20-50-2-*	B20-V20	50	79.5	68	33.5	M8-30	63   78	351
GN 134-B25-V25-50-2-*	B25-V25	50	79.5	68	33.5	M8-30	63   78	331
GN 134-B30-V30-50-2-*	B30-V30	50	79.5	68	33.5	M8-30	63   78	300
GN 134-B30-V30-60-2-*	B30-V30	60	109	79	50	M8-50	63   78	682
GN 134-B35-V35-60-2-*	B35-V35	60	109	79	50	M8-50	63   78	644
GN 134-B40-V40-60-2-*	B40-V40	60	109	79	50	M8-50	63   78	630
GN 134-B40-V40-76-2-*	B40-V40	76	125	98	55	M10-50	78   92	900
GN 134-B45-V45-76-2-*	B45-V45	76	125	98	55	M10-50	78   92	836
GN 134-B50-V50-76-2-*	B50-V50	76	125	98	55	M10-50	78   92	773

GN 134-S-S

Description	si-s2	k Clamping length	l1	l2	m	z Screw locations	Accessory Recom.hand lever GN 911 for z I3	⚖
GN 134-V20-V20-50-2-*	V20-V20	50	79.5	68	33.5	M8-30	63   78	350
GN 134-V25-V25-50-2-*	V25-V25	50	79.5	68	33.5	M8-30	63   78	325
GN 134-V30-V30-50-2-*	V30-V30	50	79.5	68	33.5	M8-30	63   78	250
GN 134-V30-V30-60-2-*	V30-V30	60	109	79	50	M8-50	63   78	660
GN 134-V35-V35-60-2-*	V35-V35	60	109	79	50	M8-50	63   78	620
GN 134-V40-V40-60-2-*	V40-V40	60	109	79	50	M8-50	63   78	560
GN 134-V40-V40-76-2-*	V40-V40	76	125	98	55	M10-50	78   92	995
GN 134-V45-V45-76-2-*	V45-V45	76	125	98	55	M10-50	78   92	880
GN 134-V50-V50-76-2-*	V50-V50	76	125	98	55	M10-50	78   92	825

Weight SW

