

## Two-Way Locking Slide Units

### Aluminum

#### SPECIFICATION

##### Types

- Type **G**: With thread
- Type **R**: With indexing plunger
- Type **D**: With spring plunger

Aluminum

Powder coated

Black, RAL 9005, textured finish **SW**

Fastening elements / transfer elements

- Socket cap screws DIN 912
- Hex nuts DIN 985
- Centering bushings

Stainless steel AISI 304

Indexing plunger GN 717, type CK

- Plunger pin  
Stainless steel AISI 303

- Knob  
Plastic (Polyamide PA)  
Black, matte finish

Spring plunger GN 615.9, type KN

- Stainless steel AISI 303
- Ball with friction bearing
- With internal hex
- Stainless steel lock nut ISO 4035

#### INFORMATION

With two-way locking slide units GN 134.7, recurring positions along a square construction tube can be moved to easily and quickly. The required holes for type R or countersinks for type D can be created by the user according to the design instructions or ordered as completely finished construction tubes with locking holes GN 990.1 (see page ).

For quick clamping without tools, the socket cap screws at the locations **z**, can be replaced with adjustable hand levers GN 911 (see page 1874) listed in the table as accessories. Centering bushings in the pass-through holes eliminate the axial play between the top and bottom parts of the locking slide units.

Two-way locking slide units GN 134.7 are delivered with unmounted indexing plunger (Type R) or spring plunger (Type D). Type G with thread is universally suitable for specific applications.

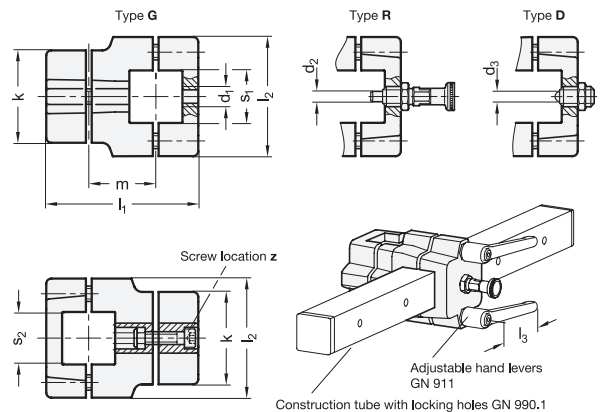


#### ACCESSORY

- Adjustable Hand Levers GN 911 (see page 1874)

#### TECHNICAL INFORMATION

- Stainless Steel Characteristics (see page A26)



Description	s1 Square	s2 Square	d1	d2 Pin -0.05 Bore +0.03/+0.08	d3 Ball-Ø	k Clamping length	l1	l2	m	z Screw locations	Accessory Recom. hand lever GN 911 for z I3	⚖
GN 134.7-V25-V25-D-SW	V 25	V 25	M 8	-	-	50	79.5	68	33.5	M8-30	63   78	407
GN 134.7-V25-V25-G-SW	V 25	V 25	M 8	5	-	50	79.5	68	33.5	M8-30	63   78	407
GN 134.7-V25-V25-R-SW	V 25	V 25	M 8	-	3.5	50	79.5	68	33.5	M8-30	63   78	407
GN 134.7-V30-V30-D-SW	V 30	V 30	M 8	-	-	50	79.5	68	33.5	M8-30	63   78	301
GN 134.7-V30-V30-G-SW	V 30	V 30	M 8	5	-	50	79.5	68	33.5	M8-30	63   78	301
GN 134.7-V30-V30-R-SW	V 30	V 30	M 8	-	3.5	50	79.5	68	33.5	M8-30	63   78	301
GN 134.7-V40-V40-D-SW	V 40	V 40	M 12	-	-	76	125	98	55	M10-50	78   92	1055
GN 134.7-V40-V40-G-SW	V 40	V 40	M 12	8	-	76	125	98	55	M10-50	78   92	1055
GN 134.7-V40-V40-R-SW	V 40	V 40	M 12	-	6.5	76	125	98	55	M10-50	78   92	1055
GN 134.7-V50-V50-D-SW	V 50	V 50	M 12	-	-	76	125	98	55	M10-50	78   92	928
GN 134.7-V50-V50-G-SW	V 50	V 50	M 12	8	-	76	125	98	55	M10-50	78   92	928
GN 134.7-V50-V50-R-SW	V 50	V 50	M 12	-	6.5	76	125	98	55	M10-50	78   92	928