

Two-Way Linear Actuator Connectors

Aluminum, for Two-Way Axis System

SPECIFICATION

Identification No.

No. **2**: With 2 stainless steel socket cap screws DIN 912

Aluminum

Powder coated

Black, RAL 9005, textured finish **S**

Sleeve bearing

Plastic (PTFE)

Socket cap screw DIN 912

Stainless steel AISI 304

Hex nuts DIN 985

Stainless steel AISI 304

Self-locking via polyamide ring

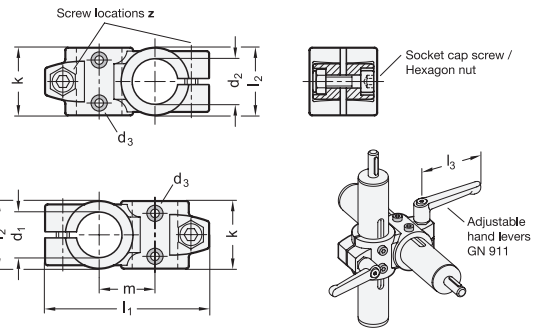


INFORMATION

Two-way linear actuator connectors GN 132.2 are based on two-way connector clamps. The additionally provided mounting holes are used to connect to the drive key of a linear actuator. Bores with the designation **G** are equipped with sleeve bearings.

With the screw locations **z**, the play of the guide bores d_1 / d_2 can be adjusted or the linear actuator connectors can be clamped after adjustment.

For quick clamping without tools, the socket cap screws can be replaced by the adjustable hand levers GN 911 (see page 1874) listed in the table as accessories.



ACCESSORY

- Adjustable Hand Levers GN 911 (see page 1874)

TECHNICAL INFORMATION

- Stainless Steel characteristics (see page A26)
- Plastic characteristics (see page A2)

GN 132.2-Without sleeve bearing

Description	d_1 - d_2 without sleeve bearing	k Clamping length	d_3 Mounting screws on the drive key	l_1	l_2	m	z Screw locations	Accessory Recom. hand lever GN 911 for z l3	⚖
GN 132.2-B30-B30-40-2-S	B30 - B30	40	M 4	97	40	33	M8-25	63 78	168
GN 132.2-B30-B30-56-2-S	B30 - B30	56	M 4	125	56	45	M10-35	-	570
GN 132.2-B40-B40-56-2-S	B40 - B40	56	M 5	125	56	45	M10-35	78 92	500
GN 132.2-B40-B40-65-2-S	B40 - B40	65	M 5	143	65	53	M10-50	-	834
GN 132.2-B50-B50-65-2-S	B50 - B50	65	M 6	143	65	53	M10-50	78 92	670
GN 132.2-B60-B60-80-2-S	B60 - B60	80	M 8	169	80	65	M10-50	78 92	1000

GN 132.2-With sleeve bearing

Description	d_1 - d_2 with sleeve bearing	k Clamping length	d_3 Mounting screws on the drive key	l_1	l_2	m	z Screw locations	Accessory Recom. hand lever GN 911 for z l3	⚖
GN 132.2-G30-G30-40-2-S	G30 - G30	40	M 4	97	40	33	M8-25	63 78	168
GN 132.2-G30-G30-56-2-S	G30 - G30	56	M 4	125	56	45	M10-35	-	570
GN 132.2-G40-G40-56-2-S	G40 - G40	56	M 5	125	56	45	M10-35	78 92	400
GN 132.2-G40-G40-65-2-S	G40 - G40	65	M 5	143	65	53	M10-50	-	834
GN 132.2-G50-G50-65-2-S	G50 - G50	65	M 6	143	65	53	M10-50	78 92	560
GN 132.2-G60-G60-80-2-S	G60 - G60	80	M 8	169	80	65	M10-50	78 92	1000