

Adjustable flat tension levers

Zinc die casting,
Bushing / Threaded stud Stainless Steel

SPECIFICATION

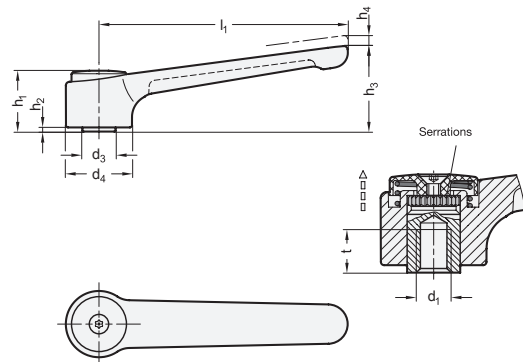
- Handle
Zinc die casting
- Plastic coated
black, RAL 9005, textured finish **SW**
silver, RAL 9006, textured finish **SR**
- Hub cover
Plastic
- black for SW
- light gray for SR
- Countersunk screw
Stainless Steel
- chemically blackened for SW
- blank for SR
- Threaded bushing / bore bushing
Stainless Steel AISI 303

INFORMATION

Adjustable flat tension lever GN 126.1 is characterized by their low height and the timelessly elegant design. They are ideal whenever swiveling in a confined space is required or the lever is to be clamped in a particular position. The threaded insert / bored bushing is moveably attached to the handle with serrations. Pulling the lever disengages the serrations, allowing it to be swiveled to the ideal clamping position. On "releasing" the handle, the serrations reengage automatically.

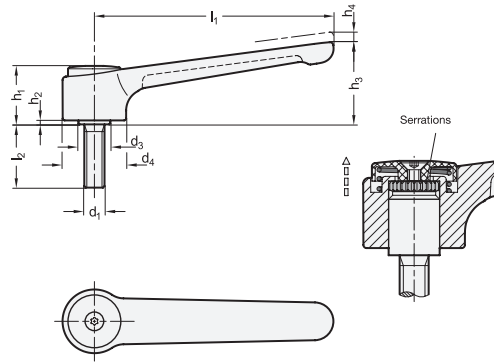
TECHNICAL INFORMATION

- ISO-Fundamental tolerances (see page A21)
- Stainless Steel characteristics (see page A26)



GN 126.1-Bushing

Description	l1	d1	d2 H7	d3	d4	h1	h2	h3	h4	t min.	⚖
GN 126.1-120-M8-SW	120	M 8	-	16	32	29.5	2	41.5	2.5	14	31
GN 126.1-120-M8-SR	120	M 8	-	16	32	29.5	2	41.5	2.5	14	31
GN 126.1-120-M10-SW	120	M 10	-	16	32	29.5	2	41.5	2.5	14	28
GN 126.1-120-M10-SR	120	M 10	-	16	32	29.5	2	41.5	2.5	14	28
GN 126.1-120-M12-SW	120	M 12	-	16	32	29.5	2	41.5	2.5	14	30
GN 126.1-120-M12-SR	120	M 12	-	16	32	29.5	2	41.5	2.5	14	30
GN 126.1-145-M12-SW	145	M 12	-	23	40	42	4	56	4	22	17
GN 126.1-145-M12-SR	145	M 12	-	23	40	42	4	56	4	22	17
GN 126.1-145-M16-SW	145	M 16	-	23	40	42	4	56	4	22	20
GN 126.1-145-M16-SR	145	M 16	-	23	40	42	4	56	4	22	20
GN 126.1-120-B8-SW	120	-	B 8	16	32	29.5	2	41.5	2.5	14	32
GN 126.1-120-B8-SR	120	-	B 8	16	32	29.5	2	41.5	2.5	14	32
GN 126.1-120-B10-SW	120	-	B 10	16	32	29.5	2	41.5	2.5	14	28
GN 126.1-120-B10-SR	120	-	B 10	16	32	29.5	2	41.5	2.5	14	28
GN 126.1-145-B12-SW	145	-	B 12	23	40	42	4	56	4	22	90
GN 126.1-145-B12-SR	145	-	B 12	23	40	42	4	56	4	22	90
GN 126.1-145-B16-SW	145	-	B 16	23	40	42	4	56	4	22	92
GN 126.1-145-B16-SR	145	-	B 16	23	40	42	4	56	4	22	92



GN 126.1-Threaded stud

Description	l1	d1	l2	d3	d4	h1	h2	h3	h4	⚖️
GN 126.1-120-M10-20-SR	120	M10	20	16	32	29.5	2	41.5	2.5	47
GN 126.1-120-M10-20-SW	120	M10	20	16	32	29.5	2	41.5	2.5	47
GN 126.1-120-M10-25-SR	120	M10	25	16	32	29.5	2	41.5	2.5	49
GN 126.1-120-M10-25-SW	120	M10	25	16	32	29.5	2	41.5	2.5	49
GN 126.1-120-M10-32-SR	120	M10	32	16	32	29.5	2	41.5	2.5	50
GN 126.1-120-M10-32-SW	120	M10	32	16	32	29.5	2	41.5	2.5	50
GN 126.1-120-M10-40-SR	120	M10	40	16	32	29.5	2	41.5	2.5	56
GN 126.1-120-M10-40-SW	120	M10	40	16	32	29.5	2	41.5	2.5	56
GN 126.1-120-M10-50-SR	120	M10	50	16	32	29.5	2	41.5	2.5	61
GN 126.1-120-M10-50-SW	120	M10	50	16	32	29.5	2	41.5	2.5	61
GN 126.1-120-M10-63-SR	120	M10	63	16	32	29.5	2	41.5	2.5	67
GN 126.1-120-M10-63-SW	120	M10	63	16	32	29.5	2	41.5	2.5	67
GN 126.1-120-M10-80-SR	120	M10	80	16	32	29.5	2	41.5	2.5	76
GN 126.1-120-M10-80-SW	120	M10	80	16	32	29.5	2	41.5	2.5	76
GN 126.1-120-M12-20-SR	120	M12	20	16	32	29.5	2	41.5	2.5	80
GN 126.1-120-M12-20-SW	120	M12	20	16	32	29.5	2	41.5	2.5	80
GN 126.1-120-M12-25-SR	120	M12	25	16	32	29.5	2	41.5	2.5	55
GN 126.1-120-M12-25-SW	120	M12	25	16	32	29.5	2	41.5	2.5	55
GN 126.1-120-M12-32-SR	120	M12	32	16	32	29.5	2	41.5	2.5	60
GN 126.1-120-M12-32-SW	120	M12	32	16	32	29.5	2	41.5	2.5	60
GN 126.1-120-M12-40-SR	120	M12	40	16	32	29.5	2	41.5	2.5	66
GN 126.1-120-M12-40-SW	120	M12	40	16	32	29.5	2	41.5	2.5	66
GN 126.1-120-M12-50-SR	120	M12	50	16	32	29.5	2	41.5	2.5	73
GN 126.1-120-M12-50-SW	120	M12	50	16	32	29.5	2	41.5	2.5	73
GN 126.1-120-M12-63-SR	120	M12	63	16	32	29.5	2	41.5	2.5	81
GN 126.1-120-M12-63-SW	120	M12	63	16	32	29.5	2	41.5	2.5	81
GN 126.1-120-M12-80-SR	120	M12	80	16	32	29.5	2	41.5	2.5	93
GN 126.1-120-M12-80-SW	120	M12	80	16	32	29.5	2	41.5	2.5	93
GN 126.1-145-M12-32-SR	145	M12	32	23	40	42	4	56	4	137
GN 126.1-145-M12-32-SW	145	M12	32	23	40	42	4	56	4	137
GN 126.1-145-M12-40-SR	145	M12	40	23	40	42	4	56	4	143
GN 126.1-145-M12-40-SW	145	M12	40	23	40	42	4	56	4	143
GN 126.1-145-M12-50-SR	145	M12	50	23	40	42	4	56	4	150
GN 126.1-145-M12-50-SW	145	M12	50	23	40	42	4	56	4	150
GN 126.1-145-M12-63-SR	145	M12	63	23	40	42	4	56	4	158
GN 126.1-145-M12-63-SW	145	M12	63	23	40	42	4	56	4	158
GN 126.1-145-M12-80-SR	145	M12	80	23	40	42	4	56	4	170
GN 126.1-145-M12-80-SW	145	M12	80	23	40	42	4	56	4	170
GN 126.1-145-M16-32-SR	145	M16	32	23	40	42	4	56	4	152
GN 126.1-145-M16-32-SW	145	M16	32	23	40	42	4	56	4	152
GN 126.1-145-M16-40-SR	145	M16	40	23	40	42	4	56	4	163
GN 126.1-145-M16-40-SW	145	M16	40	23	40	42	4	56	4	163
GN 126.1-145-M16-50-SR	145	M16	50	23	40	42	4	56	4	175
GN 126.1-145-M16-50-SW	145	M16	50	23	40	42	4	56	4	175
GN 126.1-145-M16-63-SR	145	M16	63	23	40	42	4	56	4	194
GN 126.1-145-M16-63-SW	145	M16	63	23	40	42	4	56	4	194
GN 126.1-145-M16-80-SR	145	M16	80	23	40	42	4	56	4	216
GN 126.1-145-M16-80-SW	145	M16	80	23	40	42	4	56	4	216



3
Clamping levers