

Adjustable Flat tension levers

Steel, blackened

SPECIFICATION

Types

- Type **D**: straight lever
- Type **E**: angled lever

Steel
blackened

Tensile strength class 5.8

Plane surface with natural coloured,
anodized Aluminium-disc

Ball knobs DIN 319 (see page 538)

Plastic, Duroplast
black, shiny finish

INFORMATION

The overall height of tension levers GN 125 is reduced to a minimum. As all other adjustable levers, they are ideal whenever parts have to be clamped in a confined space, or a particular lever position is required. The threaded insert is connected with the hub via serrations which can be disengaged.

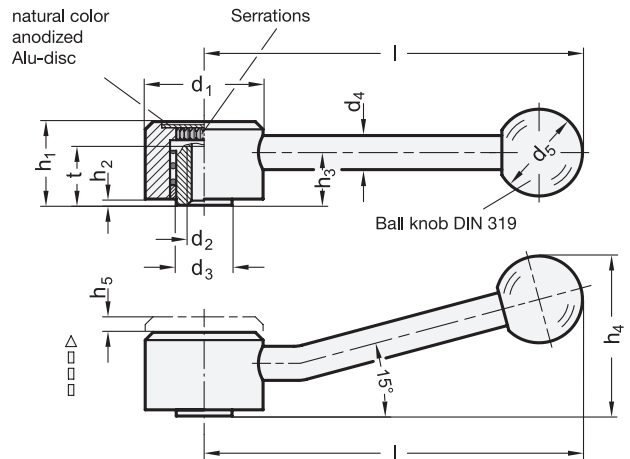
Pulling the lever, disengages the serrations and the lever can be swivelled to the ideal clamping position. On releasing the lever it will automatically re-engage.

ON REQUEST

- with threaded through hole

TECHNICAL INFORMATION

- Stainless Steel characteristics (see page A26)



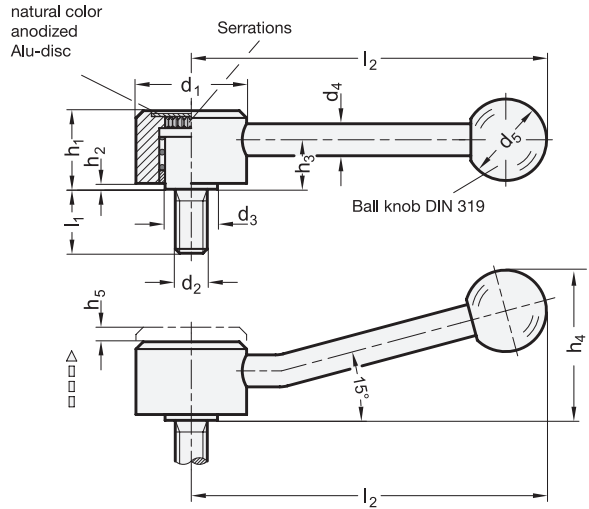
* Complete with type of the Adjustable Flat tension levers (E or D)

D Straight lever **E** Angled lever

GN 125-with threaded insert

Description	d1	d2	d3	d4	d5	h1	h2	h3	h4 ≈	h5	l	t min.	⚖
GN 125-32-M6-*	32	M 6	13.5	8	20	20.5	1.5	12.5	36	4	100	11	141
GN 125-32-M8-*	32	M 8	13.5	8	20	20.5	1.5	12.5	36	4	100	11	139
GN 125-36-M8-*	36	M 8	16	10	25	24.5	2	15	45	4.5	120	14	222
GN 125-36-M10-*	36	M 10	16	10	25	24.5	2	15	45	4.5	120	14	222
GN 125-36-M12-*	36	M 12	16	10	25	24.5	2	15	45	4.5	120	14	220
GN 125-40-M10-*	40	M 10	19	12	30	26.5	2	16	50	4.5	130	17	307
GN 125-40-M12-*	40	M 12	19	12	30	26.5	2	16	50	4.5	130	17	301
GN 125-45-M12-*	45	M 12	23	12	32	31.5	2	20	60	5	145	23	425
GN 125-45-M14-*	45	M 14	23	12	32	31.5	2	20	60	5	145	23	415
GN 125-45-M16-*	45	M 16	23	12	32	31.5	2	20	60	5	145	23	406

Weight type E



* Complete with type of the Adjustable Flat tension levers (E or D)

D Straight lever
E Angled lever

GN 125-with threaded stud

Description	d1	d2	l1	d3	d4	d5	h1	h2	h3	h4 ≈	h5	l2	⚖
GN 125-32-M8-12-*	32	M 8	12	13.5	8	20	20.5	1.5	12.5	36	4	100	147
GN 125-32-M8-16-*	32	M 8	16	13.5	8	20	20.5	1.5	12.5	36	4	100	148
GN 125-32-M8-20-*	32	M 8	20	13.5	8	20	20.5	1.5	12.5	36	4	100	149
GN 125-32-M8-25-*	32	M 8	25	13.5	8	20	20.5	1.5	12.5	36	4	100	151
GN 125-32-M8-32-*	32	M 8	32	13.5	8	20	20.5	1.5	12.5	36	4	100	153
GN 125-32-M8-40-*	32	M 8	40	13.5	8	20	20.5	1.5	12.5	36	4	100	156
GN 125-32-M8-50-*	32	M 8	50	13.5	8	20	20.5	1.5	12.5	36	4	100	158
GN 125-32-M8-63-*	32	M 8	63	13.5	8	20	20.5	1.5	12.5	36	4	100	163
GN 125-32-M10-20-*	32	M 10	20	13.5	8	20	20.5	1.5	12.5	36	4	100	155
GN 125-32-M10-25-*	32	M 10	25	13.5	8	20	20.5	1.5	12.5	36	4	100	155
GN 125-32-M10-32-*	32	M 10	32	13.5	8	20	20.5	1.5	12.5	36	4	100	159
GN 125-32-M10-40-*	32	M 10	40	13.5	8	20	20.5	1.5	12.5	36	4	100	172
GN 125-32-M10-50-*	32	M 10	50	13.5	8	20	20.5	1.5	12.5	36	4	100	173
GN 125-32-M10-63-*	32	M 10	63	13.5	8	20	20.5	1.5	12.5	36	4	100	173
GN 125-32-M10-80-*	32	M 10	80	13.5	8	20	20.5	1.5	12.5	36	4	100	193
GN 125-36-M10-16-*	36	M 10	16	16	10	25	24.5	2	15	45	4.5	120	235
GN 125-36-M10-20-*	36	M 10	20	16	10	25	24.5	2	15	45	4.5	120	237
GN 125-36-M10-25-*	36	M 10	25	16	10	25	24.5	2	15	45	4.5	120	239
GN 125-36-M10-32-*	36	M 10	32	16	10	25	24.5	2	15	45	4.5	120	242
GN 125-36-M10-40-*	36	M 10	40	16	10	25	24.5	2	15	45	4.5	120	246
GN 125-36-M10-50-*	36	M 10	50	16	10	25	24.5	2	15	45	4.5	120	250
GN 125-36-M10-63-*	36	M 10	63	16	10	25	24.5	2	15	45	4.5	120	259
GN 125-36-M10-80-*	36	M 10	80	16	10	25	24.5	2	15	45	4.5	120	266
GN 125-36-M12-25-*	36	M 12	25	16	10	25	24.5	2	15	45	4.5	120	245
GN 125-36-M12-32-*	36	M 12	32	16	10	25	24.5	2	15	45	4.5	120	250
GN 125-36-M12-40-*	36	M 12	40	16	10	25	24.5	2	15	45	4.5	120	256
GN 125-36-M12-50-*	36	M 12	50	16	10	25	24.5	2	15	45	4.5	120	263
GN 125-36-M12-63-*	36	M 12	63	16	10	25	24.5	2	15	45	4.5	120	271
GN 125-36-M12-80-*	36	M 12	80	16	10	25	24.5	2	15	45	4.5	120	283
GN 125-40-M12-25-*	40	M 12	25	19	12	30	26.5	2	16	50	4.5	130	336
GN 125-40-M12-32-*	40	M 12	32	19	12	30	26.5	2	16	50	4.5	130	342
GN 125-40-M12-40-*	40	M 12	40	19	12	30	26.5	2	16	50	4.5	130	348
GN 125-40-M12-50-*	40	M 12	50	19	12	30	26.5	2	16	50	4.5	130	355
GN 125-40-M12-63-*	40	M 12	63	19	12	30	26.5	2	16	50	4.5	130	364
GN 125-40-M12-80-*	40	M 12	80	19	12	30	26.5	2	16	50	4.5	130	376
GN 125-45-M16-32-*	45	M 16	32	23	12	32	31.5	2	20	60	5	145	488
GN 125-45-M16-40-*	45	M 16	40	23	12	32	31.5	2	20	60	5	145	498
GN 125-45-M16-50-*	45	M 16	50	23	12	32	31.5	2	20	60	5	145	512
GN 125-45-M16-63-*	45	M 16	63	23	12	32	31.5	2	20	60	5	145	529
GN 125-45-M16-80-*	45	M 16	80	23	12	32	31.5	2	20	60	5	145	549

Weight type E



Clamping levers 3