

## Internal Cabinet Handles

Zinc Die Casting, for Latches

### SPECIFICATION

Zinc die casting **ZD**  
Powder coated

- Black, RAL 9005, textured finish **SW**
- Red, RAL 3000, textured finish **RS**

Pan head screw and serrated washer  
Stainless steel AISI 304

### INFORMATION

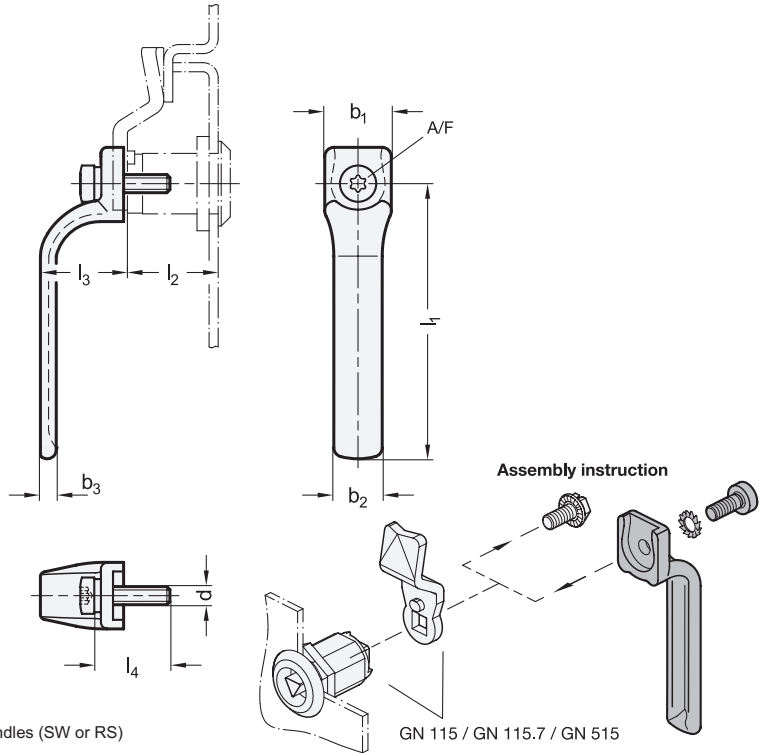
Internal cabinet handles GN 120.3 allow non-lockable latches to be opened from the back side as well. This is necessary, for example, for machine enclosures or maintenance openings.

The internal cabinet handle is fastened to the back side of the latch using the supplied screw and serrated washer. For this purpose, the existing screw on the latch must be removed.

All compatible latches are listed in the table. For latches GN 115 (see page ) and GN 115.7 (see page 1472) the housing length is always 18 mm.

### TECHNICAL INFORMATION

- List of latch types (see page 1456)
- Stainless Steel Characteristics (see page A26)



\* Complete with color index of the Internal Cabinet Handles (SW or RS)

**SW** RAL9005    **RS** RAL3000

### GN 120.3

Description	l <sub>1</sub>	l <sub>2</sub>	b <sub>1</sub>	b <sub>2</sub>	b <sub>3</sub>	d	l <sub>3</sub>	l <sub>4</sub>	A/F Torx	Suitable for (except for lockable types)	⚖
GN 120.3-ZD-90-18-*	90	18	22	16	5	M 6	28	12	T30	GN 115 / GN 115.7	67
GN 120.3-ZD-90-30-*	90	30	22	16	5	M 6	28	25	T30	GN 515	70
GN 120.3-ZD-90-40-*	90	40	22	16	5	M 6	28	35	T30	GN 515	72
GN 120.3-ZD-90-50-*	90	50	22	16	5	M 6	28	45	T30	GN 515	74
GN 120.3-ZD-90-60-*	90	60	22	16	5	M 6	28	55	T30	GN 515	76

Weight SW