

GN 120.1

Opening handles

for latches



Specification

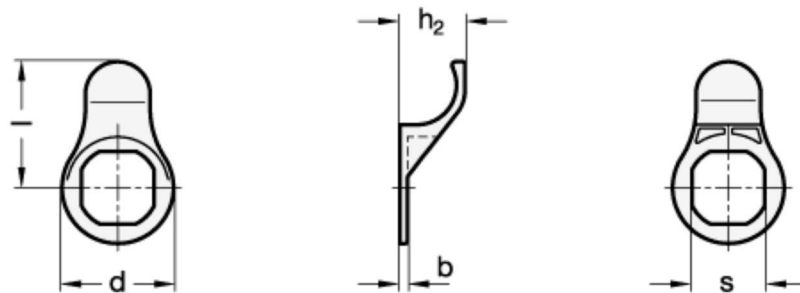
Plastic (Polyamide PA)
black, matte **SW**

Information

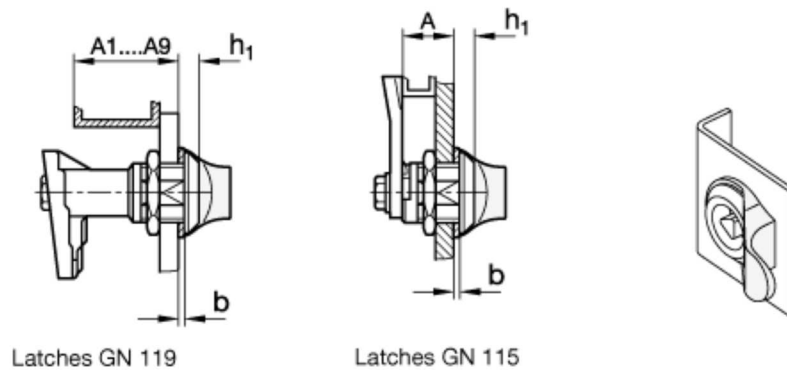
GN 120.1 opening handles are simple operating elements which are used in combination with key or bush-button actuated locking devices. They have a low installation height and can be mounted as required in a 90° grid pattern together with the lock housing.

GN 120.1 opening handles are suitable for the following latches and locking devices:

- Latches, lockable [GN 115](#)
- Latches, not lockable [GN 115](#)
- Door locks [GN 119](#)
- Snap locks [GN 315.1](#)



Examples of application



Latches GN 119

Latches GN 115

Description	d	s	b	h ₁	h ₂	l	For locks	Weight
GN 120.1-31	31	20.5	2	6	18	35	GN 115 DK, VK7, VK8, VDE, SC	3
GN 120.1-35	35	20.5	2	8	18	36	GN 119 DK, VK, VDE / GN 315.1	5