

Latches with cabinet "U" handle

Operation with socket key

SPECIFICATION

Types

- Type **DK**: Operation with triangular spindle (DK 7)
- Type **VK7**: Operation with square spindle A/F7
- Type **VK8**: Operation with square spindle A/F8
- Type **SCH**: Operation with slot
- Type **VDE**: Operation with double bit

Cabinet "U" handle
Zinc die casting

plastic coated
black, RAL 9005, textured finish **SW**
silver, RAL 9006, textured finish **SR**

other parts
Steel
zinc plated, blue passivated

INFORMATION

Latches with cabinet "U" handle GN 115.7 are used when the application requires both a locking mechanism and a handle.

A rotary movement limited to 90°, e.g. of the triangular spindle of type DK, shifts the key-bolt behind the door frame, with the bevelled key-bolt making the door closing action easier.

Latches with different cranks cover a latch distance A from 4 to 50 mm.

Latches GN 115.7 are supplied with loosely enclosed latch.

TECHNICAL AND ASSEMBLY INSTRUCTIONS

Depending on the installation situation, the 90° rotary movement range of the latch can be defined by means of a plug-type element which can be mounted in 4 different positions.

This allows the latch with cabinet „U“ handle to be used in any attachment position and regardless of the turning and locking direction or of the narrow side of the door. Subsequent repositioning of the 90° rotary range is possible.

The drawing below shows the plugging options and the resulting 90° rotary ranges.

For mounting, the door is fitted with two bore holes as shown in the outline drawing, attached at a distance of 30 mm from the door frame.

If preassembled (cabinet „U“ handle and latch), the locking mechanism can be pushed through the bore hole from the front. Then turn in the M6 fixing screw from the rear and push and screw on the hexagonal nut over the latch. Both elements can now be tightened.

The spigot (M22x1.5) also has 4 surfaces, with the effect that the cabinet „U“ handle can also be used with the standard borehole of the latches GN 115 (see page 1462).

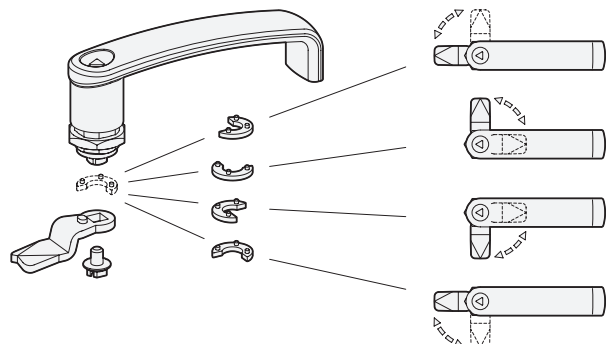
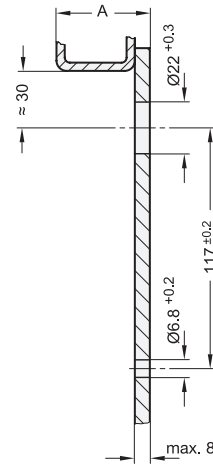


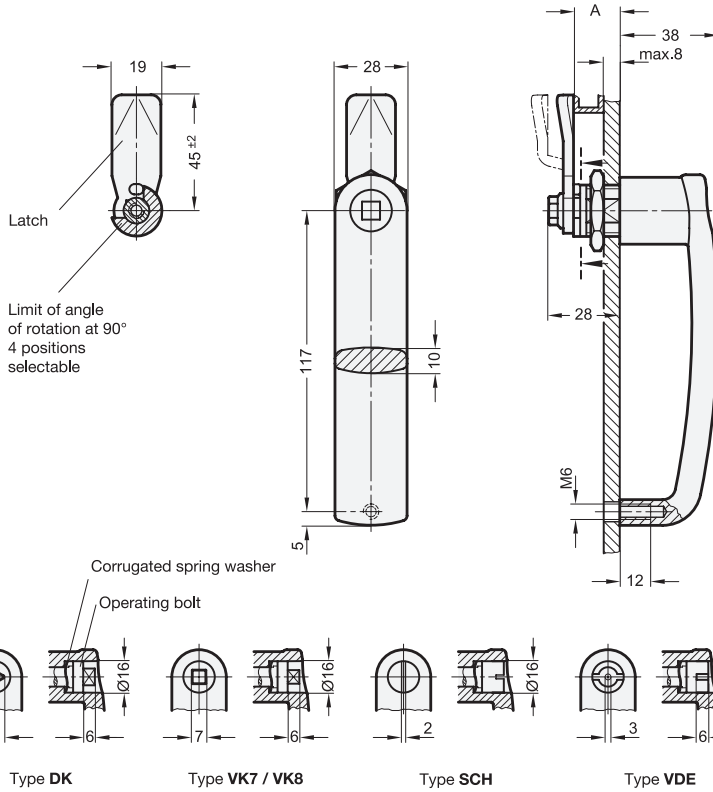
TECHNICAL INFORMATION

- List of latch types (see page 1456)

ACCESSORY

- Socket keys GN 119.2 (see page 153)





* Complete with type index of the latch

DK VK7 VK8 SCH VDE

GN 115.7

Description	Latch distance A	⚖️
GN 115.7.*-4-SR	4	402
GN 115.7.*-4-SW	4	401
GN 115.7.*-6-SR	6	401
GN 115.7.*-6-SW	6	400
GN 115.7.*-8-SR	8	400
GN 115.7.*-8-SW	8	400
GN 115.7.*-10-SR	10	400
GN 115.7.*-10-SW	10	400
GN 115.7.*-13-SR	13	399
GN 115.7.*-13-SW	13	399
GN 115.7.*-14-SR	14	400
GN 115.7.*-14-SW	14	400
GN 115.7.*-16-SR	16	400
GN 115.7.*-16-SW	16	400
GN 115.7.*-18-SR	18	399
GN 115.7.*-18-SW	18	398
GN 115.7.*-20-SR	20	400
GN 115.7.*-20-SW	20	400
GN 115.7.*-22-SR	22	400
GN 115.7.*-22-SW	22	400
GN 115.7.*-24-SR	24	398
GN 115.7.*-24-SW	24	397
GN 115.7.*-26-SR	26	400

GN 115.7

Description	Latch distance A	⚖️
GN 115.7.*-26-SW	26	399
GN 115.7.*-28-SR	28	400
GN 115.7.*-28-SW	28	399
GN 115.7.*-30-SR	30	400
GN 115.7.*-30-SW	30	400
GN 115.7.*-32-SR	32	402
GN 115.7.*-32-SW	32	401
GN 115.7.*-34-SR	34	404
GN 115.7.*-34-SW	34	404
GN 115.7.*-36-SR	36	402
GN 115.7.*-36-SW	36	401
GN 115.7.*-38-SR	38	407
GN 115.7.*-38-SW	38	406
GN 115.7.*-40-SR	40	410
GN 115.7.*-40-SW	40	409
GN 115.7.*-42-SR	42	409
GN 115.7.*-42-SW	42	408
GN 115.7.*-45-SR	45	410
GN 115.7.*-45-SW	45	410
GN 115.7.*-50-SR	50	414
GN 115.7.*-50-SW	50	414

Weight type DK