

Latches

Operation with Socket Keys

SPECIFICATION

Types

- Type **DK**: With triangular spindle
- Type **VK7**: With square spindle
- Type **VK8**: With square spindle
- Type **SCH**: With slot
- Type **VDE**: With double bit
- Type **SK10**: With hexagon

Lock housing
Zinc die casting

- Housing collar, chrome plated
- Housing collar, powder coated
Black, RAL 9005, textured finish **SW**

Other parts

Steel, zinc plated, blue passivated

Protection class IP 65



INFORMATION

Latches GN 115-WSK-ZD lock by a turning operation limited to 90° which moves the latch arm in the locked position behind the door frame. The bevels of the latch arm ease the closing of the door.

Latch arms are available with different bend angles to cover a latch arm distance A from 4 to 50 mm.

Latches GN 115-WSK-ZD are supplied with loosely enclosed latch arm.)

ACCESSORY

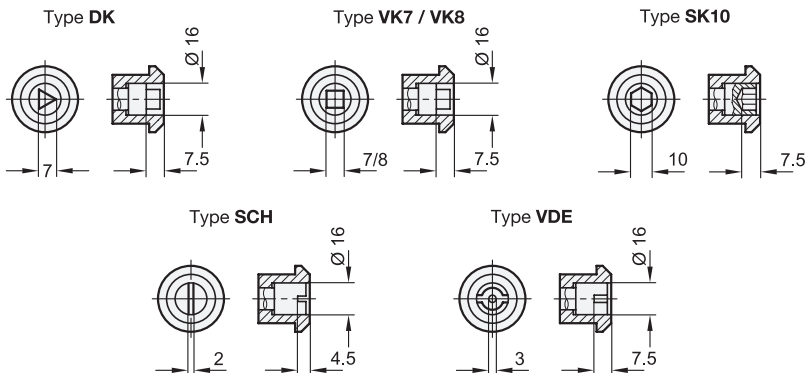
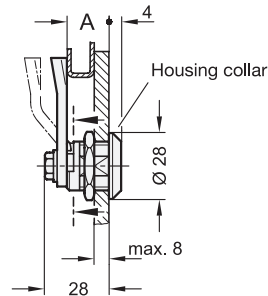
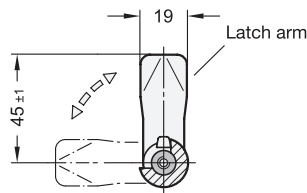
- Socket Keys GN 119.2 (see page 1530)
- Protective Caps GN 120 (see page 1486)
- Opening Handles GN 120.1 (see page 1487)
- Protective Guide Plates GN 120.2 (see page 1479)
- Internal Cabinet Handles GN 120.3 (see page)
- Sheet Metal Punches GN 123 (see page 1493)

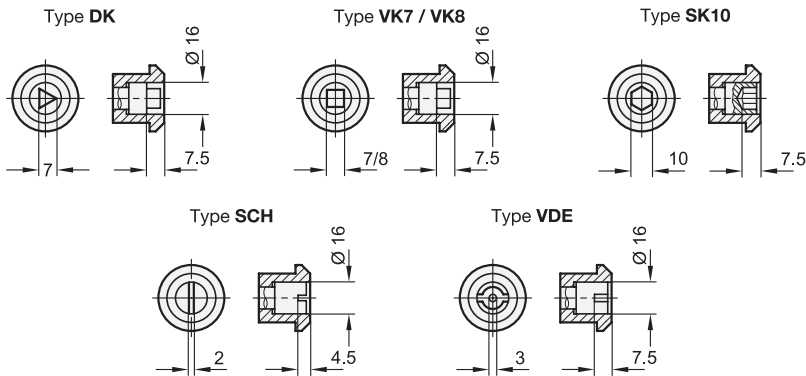
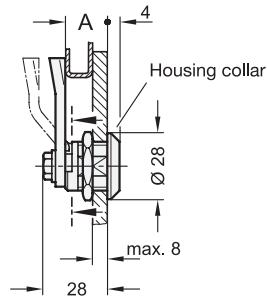
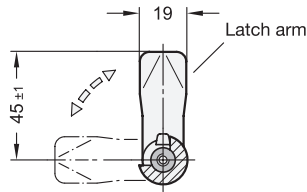
ON REQUEST

- Other operations

TECHNICAL INFORMATION

- List of latch types (see page 1456)
- IP Protection Classes (see page A23)





* Complete with
DK VK7 VK8 SCH VDE SK10

GN 115-WSK-ZD-PC

Description	Latch arm distance A	⚖
GN 115-*-4	4	79
GN 115-*-8	8	70
GN 115-*-13	13	80
GN 115-*-16	16	75
GN 115-*-20	20	80
GN 115-*-24	24	80
GN 115-*-28	28	80
GN 115-*-32	32	80
GN 115-*-36	36	85
GN 115-*-40	40	82
GN 115-*-45	45	90
GN 115-*-6	6	50
GN 115-*-10	10	80
GN 115-*-14	14	80
GN 115-*-18	18	80
GN 115-*-22	22	79
GN 115-*-26	26	80
GN 115-*-30	30	78
GN 115-*-34	34	80
GN 115-*-38	38	84
GN 115-*-42	42	90
GN 115-*-50	50	95

Weight type DK

GN 115-WSK-ZD-PC

Description	Latch arm distance A	⚖
GN 115-*-4-SW	4	70
GN 115-*-8-SW	8	80
GN 115-*-13-SW	13	75
GN 115-*-16-SW	16	75
GN 115-*-20-SW	20	70
GN 115-*-24-SW	24	80
GN 115-*-28-SW	28	80
GN 115-*-32-SW	32	80
GN 115-*-36-SW	36	85
GN 115-*-40-SW	40	90
GN 115-*-45-SW	45	85
GN 115-*-6-SW	6	50
GN 115-*-10-SW	10	80
GN 115-*-14-SW	14	80
GN 115-*-18-SW	18	78
GN 115-*-22-SW	22	80
GN 115-*-26-SW	26	80
GN 115-*-30-SW	30	80
GN 115-*-34-SW	34	80
GN 115-*-38-SW	38	77
GN 115-*-42-SW	42	90
GN 115-*-50-SW	50	95

Weight type DK

