

Latches with Operating Elements

SPECIFICATION

Types

- Type **SG**: With star knob
- Type **SK**: With wing knob
- Type **ST**: With T-handle
- Type **RG**: With knurled knob GN 7336
- Type **KG**: With wing knob
- Type **HG**: With lever
- Type **LG**: With hand lever (only in SW)

Lock housing
Zinc die casting

- Housing collar, chrome plated
- Housing collar, powder coated
Black, RAL 9005, textured finish **SW**

Operating elements

- Type SG, SK, ST, RG, KG, HG
Plastic (Polyamide PA)
Black, matte finish
- Type LG
Zinc die casting
Powder coated
Black, RAL 9005, textured finish

Cover cap (Type RG, KG, HG, LG)

Plastic (Polyamide PA)

Light gray, matte finish

Other parts
Steel, zinc plated, blue passivated
Protection class IP 65

INFORMATION

Latches GN 115-WOE-ZD lock by a turning operation limited to 90° which moves the latch arm in the locked position behind the door frame. The bevels of the latch arm ease the closing of the door.

Latch arms are available with different bend angles to cover a latch arm distance A from 4 to 50 mm.

Latches GN 115-WOE-ZD are supplied with loosely enclosed latch arm.

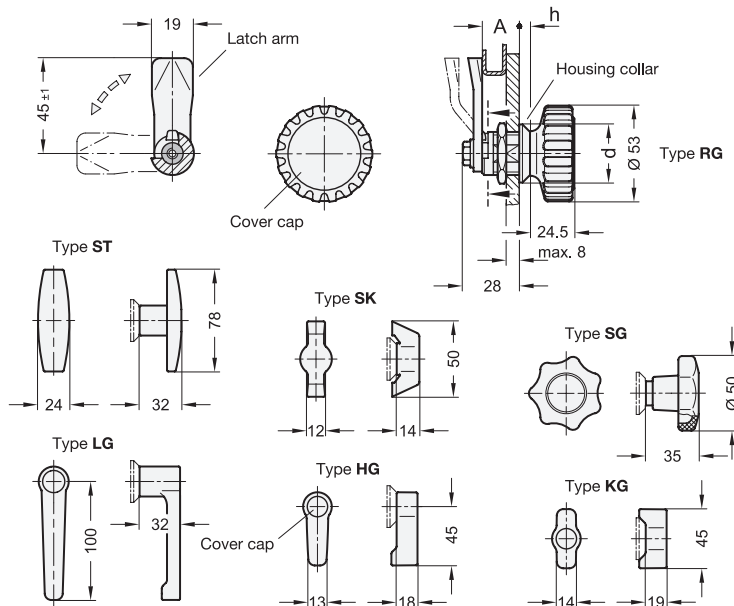


ACCESSORY


- Protective Guide Plates GN 120.2 (see page 1479)
- Internal Cabinet Handles GN 120.3 (see page)
- Sheet Metal Punches GN 123 (see page 1493)

TECHNICAL INFORMATION


- List of latch types (see page 1456)
- IP Protection Classes (see page A23)
- Plastic Characteristics (see page A2)



GN 115-WOE-ZD-CP

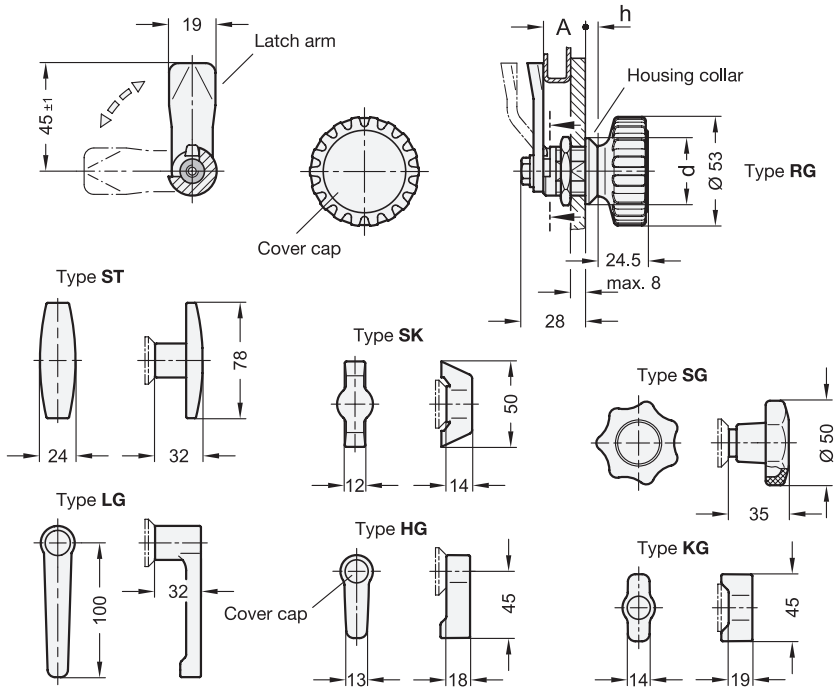
Description	Latch arm distance A	d	h	
GN 115-SG-4	4	28	4	119
GN 115-SG-8	8	28	4	117
GN 115-SG-13	13	28	4	116
GN 115-SG-16	16	28	4	109
GN 115-SG-20	20	28	4	115
GN 115-SG-24	24	28	4	115
GN 115-SG-28	28	28	4	117
GN 115-SG-32	32	28	4	119
GN 115-SG-36	36	28	4	119
GN 115-SG-40	40	28	4	127
GN 115-SG-45	45	28	4	119
GN 115-SG-6	6	28	4	116
GN 115-SG-10	10	28	4	116
GN 115-SG-14	14	28	4	116
GN 115-SG-18	18	28	4	114
GN 115-SG-22	22	28	4	115
GN 115-SG-26	26	28	4	117
GN 115-SG-30	30	28	4	118
GN 115-SG-34	34	28	4	121
GN 115-SG-38	38	28	4	124
GN 115-SG-42	42	28	4	126
GN 115-SG-50	50	28	4	131
GN 115-SK-4	4	32	6	108
GN 115-SK-8	8	32	6	106
GN 115-SK-13	13	32	6	105
GN 115-SK-16	16	32	6	98
GN 115-SK-20	20	32	6	104
GN 115-SK-24	24	32	6	104
GN 115-SK-28	28	32	6	106
GN 115-SK-32	32	32	6	108
GN 115-SK-36	36	32	6	108
GN 115-SK-40	40	32	6	116
GN 115-SK-45	45	32	6	108
GN 115-SK-6	6	32	6	105
GN 115-SK-10	10	32	6	105
GN 115-SK-14	14	32	6	105
GN 115-SK-18	18	32	6	103
GN 115-SK-22	22	32	6	104
GN 115-SK-26	26	32	6	106
GN 115-SK-30	30	32	6	107
GN 115-SK-34	34	32	6	110
GN 115-SK-38	38	32	6	113
GN 115-SK-42	42	32	6	115
GN 115-SK-50	50	32	6	120
GN 115-ST-4	4	32	6	130
GN 115-ST-8	8	32	6	140
GN 115-ST-13	13	32	6	120
GN 115-ST-16	16	32	6	130
GN 115-ST-20	20	32	6	140
GN 115-ST-24	24	32	6	140
GN 115-ST-28	28	32	6	140
GN 115-ST-32	32	32	6	150
GN 115-ST-36	36	32	6	160
GN 115-ST-40	40	32	6	140
GN 115-ST-45	45	32	6	140
GN 115-ST-6	6	32	6	140
GN 115-ST-10	10	32	6	150
GN 115-ST-14	14	32	6	138
GN 115-ST-18	18	32	6	140
GN 115-ST-22	22	32	6	140
GN 115-ST-26	26	32	6	140
GN 115-ST-30	30	32	6	140
GN 115-ST-34	34	32	6	120
GN 115-ST-38	38	32	6	147
GN 115-ST-42	42	32	6	150
GN 115-ST-50	50	32	6	140

GN 115-WOE-ZD-CP

Description	Latch arm distance A	d	h	
GN 115-RG-4	4	28	4	117
GN 115-RG-8	8	28	4	115
GN 115-RG-13	13	28	4	114
GN 115-RG-16	16	28	4	107
GN 115-RG-20	20	28	4	113
GN 115-RG-24	24	28	4	113
GN 115-RG-28	28	28	4	115
GN 115-RG-32	32	28	4	117
GN 115-RG-36	36	28	4	117
GN 115-RG-40	40	28	4	125
GN 115-RG-45	45	28	4	117
GN 115-RG-6	6	28	4	116
GN 115-RG-10	10	28	4	80
GN 115-RG-14	14	28	4	113
GN 115-RG-18	18	28	4	114
GN 115-RG-22	22	28	4	120
GN 115-RG-26	26	28	4	115
GN 115-RG-30	30	28	4	116
GN 115-RG-34	34	28	4	119
GN 115-RG-38	38	28	4	122
GN 115-RG-42	42	28	4	124
GN 115-RG-50	50	28	4	129
GN 115-KG-4	4	28	4	100
GN 115-KG-8	8	28	4	100
GN 115-KG-13	13	28	4	90
GN 115-KG-16	16	28	4	90
GN 115-KG-20	20	28	4	100
GN 115-KG-24	24	28	4	100
GN 115-KG-28	28	28	4	91
GN 115-KG-32	32	28	4	100
GN 115-KG-36	36	28	4	93
GN 115-KG-40	40	28	4	101
GN 115-KG-45	45	28	4	93
GN 115-KG-6	6	28	4	80
GN 115-KG-10	10	28	4	100
GN 115-KG-14	14	28	4	89
GN 115-KG-18	18	28	4	90
GN 115-KG-22	22	28	4	89
GN 115-KG-26	26	28	4	91
GN 115-KG-30	30	28	4	100
GN 115-KG-34	34	28	4	95
GN 115-KG-38	38	28	4	98
GN 115-KG-42	42	28	4	100
GN 115-KG-50	50	28	4	105
GN 115-HG-4	4	28	4	94
GN 115-HG-8	8	28	4	94
GN 115-HG-13	13	28	4	93
GN 115-HG-16	16	28	4	70
GN 115-HG-20	20	28	4	100
GN 115-HG-24	24	28	4	100
GN 115-HG-28	28	28	4	94
GN 115-HG-32	32	28	4	96
GN 115-HG-36	36	28	4	70
GN 115-HG-40	40	28	4	104
GN 115-HG-45	45	28	4	100
GN 115-HG-6	6	28	4	90
GN 115-HG-10	10	28	4	80
GN 115-HG-14	14	28	4	100
GN 115-HG-18	18	28	4	93
GN 115-HG-22	22	28	4	100
GN 115-HG-26	26	28	4	94
GN 115-HG-30	30	28	4	95
GN 115-HG-34	34	28	4	98
GN 115-HG-38	38	28	4	100
GN 115-HG-42	42	28	4	100
GN 115-HG-50	50	28	4	100



Latches 13

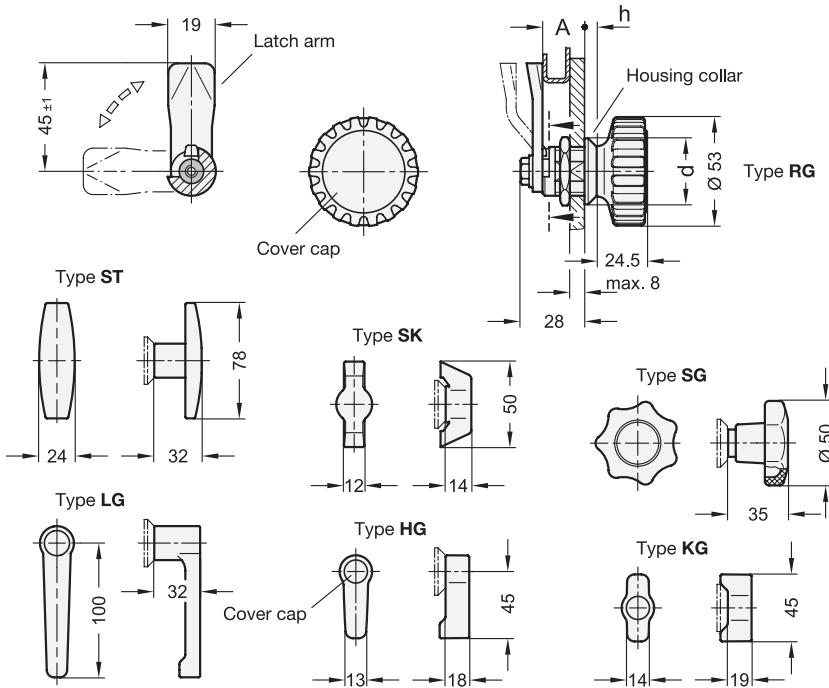


GN 115-WOE-ZD-PC

Description	Latch arm distance A	d	h	⚖️
GN 115-SG-4-SW	4	28	4	118
GN 115-SG-8-SW	8	28	4	116
GN 115-SG-13-SW	13	28	4	115
GN 115-SG-16-SW	16	28	4	108
GN 115-SG-20-SW	20	28	4	114
GN 115-SG-24-SW	24	28	4	114
GN 115-SG-28-SW	28	28	4	116
GN 115-SG-32-SW	32	28	4	118
GN 115-SG-36-SW	36	28	4	118
GN 115-SG-40-SW	40	28	4	126
GN 115-SG-45-SW	45	28	4	118
GN 115-SG-6-SW	6	28	4	115
GN 115-SG-10-SW	10	28	4	115
GN 115-SG-14-SW	14	28	4	115
GN 115-SG-18-SW	18	28	4	113
GN 115-SG-22-SW	22	28	4	114
GN 115-SG-26-SW	26	28	4	116
GN 115-SG-30-SW	30	28	4	117
GN 115-SG-34-SW	34	28	4	120
GN 115-SG-38-SW	38	28	4	123
GN 115-SG-42-SW	42	28	4	125
GN 115-SG-50-SW	50	28	4	130
GN 115-SK-4-SW	4	32	6	100
GN 115-SK-8-SW	8	32	6	98
GN 115-SK-13-SW	13	32	6	97
GN 115-SK-16-SW	16	32	6	90
GN 115-SK-20-SW	20	32	6	96
GN 115-SK-24-SW	24	32	6	96
GN 115-SK-28-SW	28	32	6	98
GN 115-SK-32-SW	32	32	6	100
GN 115-SK-36-SW	36	32	6	100
GN 115-SK-40-SW	40	32	6	108
GN 115-SK-45-SW	45	32	6	100
GN 115-SK-6-SW	6	32	6	97
GN 115-SK-10-SW	10	32	6	97
GN 115-SK-14-SW	14	32	6	97
GN 115-SK-18-SW	18	32	6	95
GN 115-SK-22-SW	22	32	6	96
GN 115-SK-26-SW	26	32	6	98

GN 115-WOE-ZD-PC

Description	Latch arm distance A	d	h	⚖️
GN 115-SK-30-SW	30	32	6	99
GN 115-SK-34-SW	34	32	6	102
GN 115-SK-38-SW	38	32	6	105
GN 115-SK-42-SW	42	32	6	107
GN 115-SK-50-SW	50	32	6	112
GN 115-ST-4-SW	4	32	6	40
GN 115-ST-8-SW	8	32	6	140
GN 115-ST-13-SW	13	32	6	120
GN 115-ST-16-SW	16	32	6	130
GN 115-ST-20-SW	20	32	6	140
GN 115-ST-24-SW	24	32	6	140
GN 115-ST-28-SW	28	32	6	140
GN 115-ST-32-SW	32	32	6	150
GN 115-ST-36-SW	36	32	6	145
GN 115-ST-40-SW	40	32	6	160
GN 115-ST-45-SW	45	32	6	140
GN 115-ST-6-SW	6	32	6	140
GN 115-ST-10-SW	10	32	6	140
GN 115-ST-14-SW	14	32	6	130
GN 115-ST-18-SW	18	32	6	140
GN 115-ST-22-SW	22	32	6	140
GN 115-ST-26-SW	26	32	6	140
GN 115-ST-30-SW	30	32	6	120
GN 115-ST-34-SW	34	32	6	120
GN 115-ST-38-SW	38	32	6	120
GN 115-ST-42-SW	42	32	6	37
GN 115-ST-50-SW	50	32	6	150
GN 115-RG-4-SW	4	28	4	116
GN 115-RG-8-SW	8	28	4	114
GN 115-RG-13-SW	13	28	4	113
GN 115-RG-16-SW	16	28	4	130
GN 115-RG-20-SW	20	28	4	112
GN 115-RG-24-SW	24	28	4	112
GN 115-RG-28-SW	28	28	4	114
GN 115-RG-32-SW	32	28	4	116
GN 115-RG-36-SW	36	28	4	116
GN 115-RG-40-SW	40	28	4	124
GN 115-RG-45-SW	45	28	4	116



GN 115-WOE-ZD-PC

Description	Latch arm distance A	d	h	⚖️
GN 115-RG-6-SW	6	28	4	115
GN 115-RG-10-SW	10	28	4	113
GN 115-RG-14-SW	14	28	4	112
GN 115-RG-18-SW	18	28	4	113
GN 115-RG-22-SW	22	28	4	112
GN 115-RG-26-SW	26	28	4	114
GN 115-RG-30-SW	30	28	4	120
GN 115-RG-34-SW	34	28	4	118
GN 115-RG-38-SW	38	28	4	121
GN 115-RG-42-SW	42	28	4	123
GN 115-RG-50-SW	50	28	4	128
GN 115-KG-4-SW	4	28	4	60
GN 115-KG-8-SW	8	28	4	91
GN 115-KG-13-SW	13	28	4	90
GN 115-KG-16-SW	16	28	4	83
GN 115-KG-20-SW	20	28	4	80
GN 115-KG-24-SW	24	28	4	89
GN 115-KG-28-SW	28	28	4	100
GN 115-KG-32-SW	32	28	4	80
GN 115-KG-36-SW	36	28	4	93
GN 115-KG-40-SW	40	28	4	101
GN 115-KG-45-SW	45	28	4	93
GN 115-KG-6-SW	6	28	4	92
GN 115-KG-10-SW	10	28	4	90
GN 115-KG-14-SW	14	28	4	89
GN 115-KG-18-SW	18	28	4	90
GN 115-KG-22-SW	22	28	4	89
GN 115-KG-26-SW	26	28	4	90
GN 115-KG-30-SW	30	28	4	92
GN 115-KG-34-SW	34	28	4	95
GN 115-KG-38-SW	38	28	4	98
GN 115-KG-42-SW	42	28	4	100
GN 115-KG-50-SW	50	28	4	105
GN 115-HG-4-SW	4	28	4	95
GN 115-HG-8-SW	8	28	4	93
GN 115-HG-13-SW	13	28	4	92
GN 115-HG-16-SW	16	28	4	85
GN 115-HG-20-SW	20	28	4	91
GN 115-HG-24-SW	24	28	4	91

GN 115-WOE-ZD-PC

Description	Latch arm distance A	d	h	⚖️
GN 115-HG-28-SW	28	28	4	93
GN 115-HG-32-SW	32	28	4	95
GN 115-HG-36-SW	36	28	4	95
GN 115-HG-40-SW	40	28	4	103
GN 115-HG-45-SW	45	28	4	95
GN 115-HG-6-SW	6	28	4	94
GN 115-HG-10-SW	10	28	4	40
GN 115-HG-14-SW	14	28	4	91
GN 115-HG-18-SW	18	28	4	92
GN 115-HG-22-SW	22	28	4	100
GN 115-HG-26-SW	26	28	4	93
GN 115-HG-30-SW	30	28	4	94
GN 115-HG-34-SW	34	28	4	100
GN 115-HG-38-SW	38	28	4	100
GN 115-HG-42-SW	42	28	4	120
GN 115-HG-50-SW	50	28	4	107
GN 115-LG-4-SW	4	32	6	230
GN 115-LG-8-SW	8	32	6	220
GN 115-LG-13-SW	13	32	6	210
GN 115-LG-16-SW	16	32	6	210
GN 115-LG-20-SW	20	32	6	180
GN 115-LG-24-SW	24	32	6	188
GN 115-LG-28-SW	28	32	6	200
GN 115-LG-32-SW	32	32	6	200
GN 115-LG-36-SW	36	32	6	220
GN 115-LG-40-SW	40	32	6	150
GN 115-LG-45-SW	45	32	6	200
GN 115-LG-6-SW	6	32	6	200
GN 115-LG-10-SW	10	32	6	200
GN 115-LG-14-SW	14	32	6	220
GN 115-LG-18-SW	18	32	6	210
GN 115-LG-22-SW	22	32	6	200
GN 115-LG-26-SW	26	32	6	200
GN 115-LG-30-SW	30	32	6	200
GN 115-LG-34-SW	34	32	6	200
GN 115-LG-38-SW	38	32	6	225
GN 115-LG-42-SW	42	32	6	230
GN 115-LG-50-SW	50	32	6	200

