

Latches

Stainless Steel, with Plastic Operating Elements / with Operating Elements in Stainless Steel

SPECIFICATION

Version with Plastic Operating Elements

Types

- Type **RG**: With knurled knob GN 7336
- Type **KG**: With wing knob
- Type **HG**: With lever

Lock housing

Stainless steel AISI 303 **NI**

Latch arm

Stainless steel AISI 304

Operating elements

Plastic (Polyamide PA)

Black, matte finish

Other parts

Stainless steel AISI 304

Protection class IP 65

Version with Operating Elements in Stainless Steel (NI)

Types

- Type **SG**: With star knob
- Type **KGN**: With wing knob
- Type **HGN**: With lever
- Type **SKN**: With wing knob
- Type **STN**: With T-handle

Lock housing **NI**

- Type SG, KGN, HGN
Stainless steel AISI 303

- Type SKN, STN
Stainless steel AISI 316

Latch arm

Stainless steel AISI 304

Operating elements

- Type SG
Stainless steel AISI 304
Sheet metal drawn and hub welded
- Type KGN, HGN
Stainless steel AISI CF-8
- Type SKN, STN
Stainless steel AISI 316

Other parts

Stainless steel AISI 304

Protection class IP 65

Version with Operating Elements in Stainless Steel (A4)

Types

- Type **SKN**: With wing knob
- Type **STN**: With T-handle

Lock housing / Operating Elements **A4**

Stainless steel AISI 316

Latch arm

Stainless steel AISI 316

Other parts

Stainless steel AISI 316

Protection class IP 65



INFORMATION

Latches GN 115-WOE-SST lock by a turning operation limited to 90° which moves the latch arm in the locked position behind the door frame. The bevels of the latch arm ease the closing of the door. Thanks to the stainless steel materials used, the latches are optimally suited for use in corrosive environments.

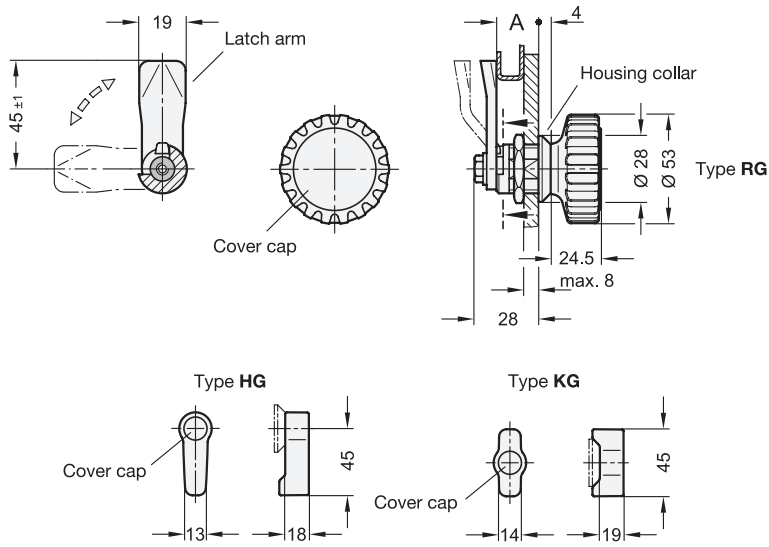
Latch arms are available with different bend angles to cover a latch arm distance A from 6 to 50 mm and from 6 to 28 mm (version A4). Latches GN 115-WOE-SST are supplied with loosely enclosed latch arm.

ACCESSORY

- Protective Guide Plates GN 120.2 (see page 1479)
- Internal Cabinet Handles GN 120.3 (see page)
- Sheet Metal Punches GN 123 (see page 1493)

TECHNICAL INFORMATION

- List of latch types (see page 1456)
- ISO-Fundamental Tolerances (see page A21)
- IP Protection Classes (see page A23)
- Plastic Characteristics (see page A2)
- Stainless Steel Characteristics (see page A26)



* Complete with
RG KG HG

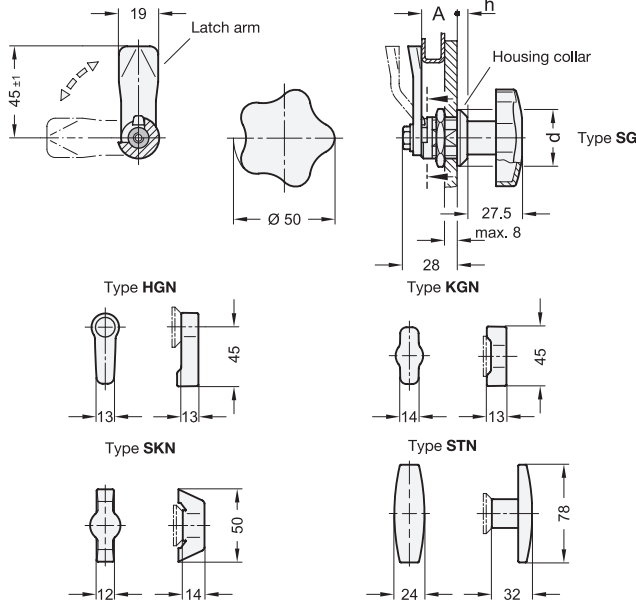
GN 115-WOE-SST-PA

STAINLESS STEEL

Description	Latch arm distance A	Δ
GN 115-*-6-NI	6	123
GN 115-*-10-NI	10	121
GN 115-*-14-NI	14	119
GN 115-*-18-NI	18	110
GN 115-*-20-NI	20	119
GN 115-*-22-NI	22	119
GN 115-*-24-NI	24	114
GN 115-*-26-NI	26	120
GN 115-*-28-NI	28	122
GN 115-*-30-NI	30	150
GN 115-*-34-NI	34	125
GN 115-*-38-NI	38	128
GN 115-*-40-NI	40	122
GN 115-*-50-NI	50	155

Weight type RG





GN 115-WOE-SST-NI

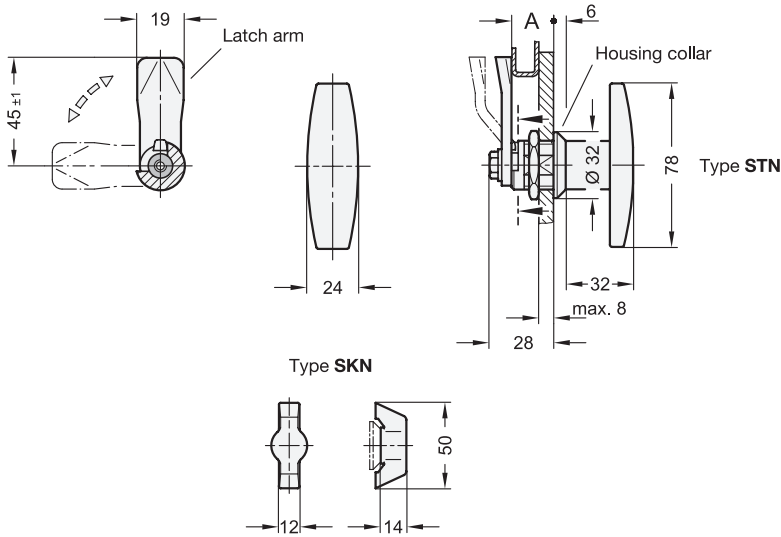
STAINLESS STEEL

Description	Latch arm distance A	d	h	⚖
GN 115-SG-6-NI	6	28	4	162
GN 115-SG-10-NI	10	28	4	160
GN 115-SG-14-NI	14	28	4	158
GN 115-SG-18-NI	18	28	4	158
GN 115-SG-20-NI	20	28	4	158
GN 115-SG-22-NI	22	28	4	158
GN 115-SG-24-NI	24	28	4	153
GN 115-SG-26-NI	26	28	4	159
GN 115-SG-28-NI	28	28	4	161
GN 115-SG-30-NI	30	28	4	153
GN 115-SG-34-NI	34	28	4	164
GN 115-SG-38-NI	38	28	4	167
GN 115-SG-40-NI	40	28	4	163
GN 115-SG-50-NI	50	28	4	194
GN 115-KGN-6-NI	6	28	4	170
GN 115-KGN-10-NI	10	28	4	100
GN 115-KGN-14-NI	14	28	4	127
GN 115-KGN-18-NI	18	28	4	200
GN 115-KGN-20-NI	20	28	4	150
GN 115-KGN-22-NI	22	28	4	170
GN 115-KGN-24-NI	24	28	4	150
GN 115-KGN-26-NI	26	28	4	200
GN 115-KGN-28-NI	28	28	4	174
GN 115-KGN-30-NI	30	28	4	166
GN 115-KGN-34-NI	34	28	4	177
GN 115-KGN-38-NI	38	28	4	177
GN 115-KGN-40-NI	40	28	4	180
GN 115-KGN-50-NI	50	28	4	207
GN 115-HGN-6-NI	6	28	4	180
GN 115-HGN-10-NI	10	28	4	180
GN 115-HGN-14-NI	14	28	4	180
GN 115-HGN-18-NI	18	28	4	185
GN 115-HGN-20-NI	20	28	4	180
GN 115-HGN-22-NI	22	28	4	200
GN 115-HGN-24-NI	24	28	4	180

GN 115-WOE-SST-NI

STAINLESS STEEL

Description	Latch arm distance A	d	h	⚖
GN 115-HGN-26-NI	26	28	4	200
GN 115-HGN-28-NI	28	28	4	150
GN 115-HGN-30-NI	30	28	4	180
GN 115-HGN-34-NI	34	28	4	192
GN 115-HGN-38-NI	38	28	4	100
GN 115-HGN-40-NI	40	28	4	195
GN 115-HGN-50-NI	50	28	4	200
GN 115-SKN-6-NI	6	32	6	178
GN 115-SKN-10-NI	10	32	6	176
GN 115-SKN-14-NI	14	32	6	174
GN 115-SKN-18-NI	18	32	6	174
GN 115-SKN-20-NI	20	32	6	174
GN 115-SKN-22-NI	22	32	6	174
GN 115-SKN-24-NI	24	32	6	169
GN 115-SKN-26-NI	26	32	6	175
GN 115-SKN-28-NI	28	32	6	177
GN 115-SKN-30-NI	30	32	6	169
GN 115-SKN-34-NI	34	32	6	180
GN 115-SKN-38-NI	38	32	6	183
GN 115-SKN-40-NI	40	32	6	179
GN 115-SKN-50-NI	50	32	6	210
GN 115-STN-6-NI	6	32	6	275
GN 115-STN-10-NI	10	32	6	273
GN 115-STN-14-NI	14	32	6	271
GN 115-STN-18-NI	18	32	6	271
GN 115-STN-20-NI	20	32	6	271
GN 115-STN-22-NI	22	32	6	271
GN 115-STN-24-NI	24	32	6	266
GN 115-STN-26-NI	26	32	6	272
GN 115-STN-28-NI	28	32	6	274
GN 115-STN-30-NI	30	32	6	266
GN 115-STN-34-NI	34	32	6	277
GN 115-STN-38-NI	38	32	6	280
GN 115-STN-40-NI	40	32	6	276
GN 115-STN-50-NI	50	32	6	307



* Complete with
SKN STN

GN 115-WOE-SST-A4

STAINLESS STEEL

Description	Latch arm distance A	⚖️
GN 115-*-6-A4	6	180
GN 115-*-10-A4	10	178
GN 115-*-14-A4	14	177
GN 115-*-18-A4	18	177
GN 115-*-20-A4	20	178
GN 115-*-22-A4	22	178
GN 115-*-24-A4	24	178
GN 115-*-26-A4	26	179
GN 115-*-28-A4	28	180

Weight type SKN

