

Stainless Steel-Locking pins

Stainless Steel knob, with axial lock (Pawl)

SPECIFICATION

Knob / Push button / Slide
Stainless Steel AISI 303

Pin
Stainless Steel AISI 303

Pawl
Stainless Steel AISI 304 (sheet metal)

Spring
Stainless Steel AISI 301

INFORMATION

Stainless Steel-Locking pins with axial lock GN 114.6 are used for quick fixing, connecting and locking of various jig and fixture systems. A typical application is location pins which have to be often removed and replaced again.

The rectangular pawls made of Stainless Steel sheet metal keep the locking pin in an axial position in the bore. It can be retracted by pressing the button, once released it returns the pressure spring into its locking position.

The load values given in the above table at shear stress are theoretically obtained and indicative only. They are non-binding recommended values and rule out any liability. They constitute no general warranty of quality and condition. The user must determine from case to case whether a product is suitable for the intended use.

- Range of lock pins (see page 868)

ACCESSORY

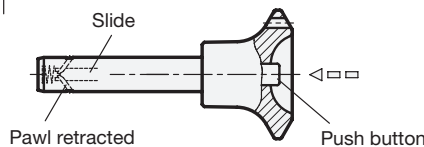
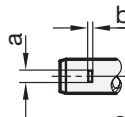
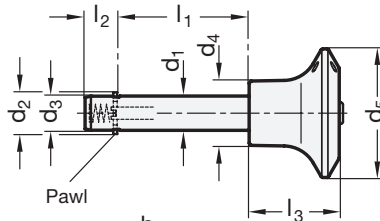
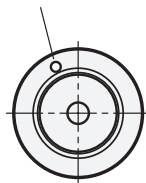
- Ball chains GN 111 (see page 904)
- Stainless Steel-Ball chains GN 111.5 (see page 905)
- Retaining cables GN 111.2 (see page 906)
- Spiral retaining cables GN 111.4 (see page 908)

TECHNICAL INFORMATION

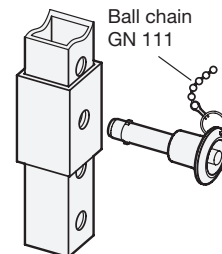
- Stainless Steel characteristics (see page A26)
- Plastic characteristics (see page A2)



Bore for key ring (ball chain)



Application example



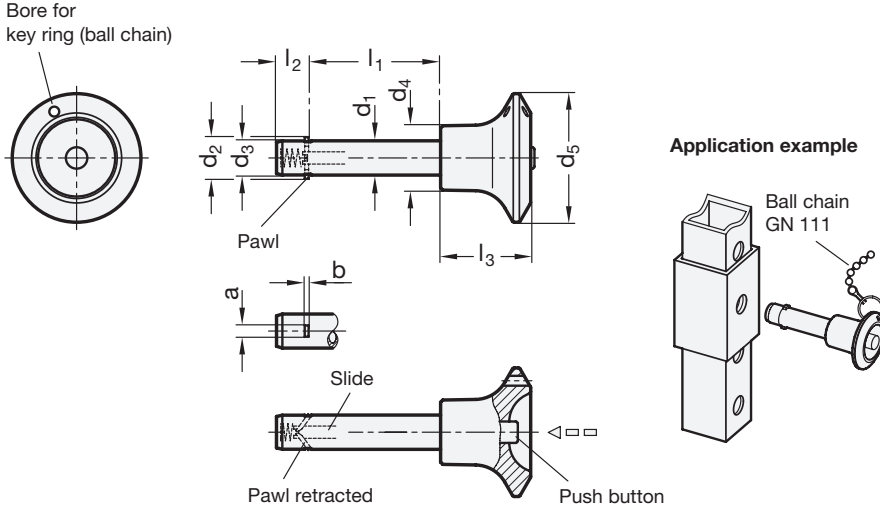
GN 114.6

STAINLESS STEEL

Description	d1 -0.1	l1 +0.4	a	b	d2	d3	d4	d5	l2	l3	Load in kN ≈ (Double sided shear force) see information	⚖
GN 114.6-6-16	6	16	2.3	0.5	7.5+0.5	5.9	12	25	7	20	17	33
GN 114.6-6-20	6	20	2.3	0.5	7.5+0.5	5.9	12	25	7	20	17	34
GN 114.6-6-25	6	25	2.3	0.5	7.5+0.5	5.9	12	25	7	20	17	35
GN 114.6-6-30	6	30	2.3	0.5	7.5+0.5	5.9	12	25	7	20	17	36
GN 114.6-6-35	6	35	2.3	0.5	7.5+0.5	5.9	12	25	7	20	17	37
GN 114.6-6-40	6	40	2.3	0.5	7.5+0.5	5.9	12	25	7	20	17	38
GN 114.6-6-45	6	45	2.3	0.5	7.5+0.5	5.9	12	25	7	20	17	40
GN 114.6-6-50	6	50	2.3	0.5	7.5+0.5	5.9	12	25	7	20	17	40
GN 114.6-6-60	6	60	2.3	0.5	7.5+0.5	5.9	12	25	7	20	17	46
GN 114.6-6-70	6	70	2.3	0.5	7.5+0.5	5.9	12	25	7	20	17	50
GN 114.6-6-80	6	80	2.3	0.5	7.5+0.5	5.9	12	25	7	20	17	52
GN 114.6-8-16	8	16	2.8	0.6	10+0.5	7.9	15	30	8.4	21	35	53
GN 114.6-8-20	8	20	2.8	0.6	10+0.5	7.9	15	30	8.4	21	35	55
GN 114.6-8-25	8	25	2.8	0.6	10+0.5	7.9	15	30	8.4	21	35	57
GN 114.6-8-30	8	30	2.8	0.6	10+0.5	7.9	15	30	8.4	21	35	59
GN 114.6-8-35	8	35	2.8	0.6	10+0.5	7.9	15	30	8.4	21	35	60
GN 114.6-8-40	8	40	2.8	0.6	10+0.5	7.9	15	30	8.4	21	35	62
GN 114.6-8-45	8	45	2.8	0.6	10+0.5	7.9	15	30	8.4	21	35	65
GN 114.6-8-50	8	50	2.8	0.6	10+0.5	7.9	15	30	8.4	21	35	66
GN 114.6-8-60	8	60	2.8	0.6	10+0.5	7.9	15	30	8.4	21	35	73
GN 114.6-8-70	8	70	2.8	0.6	10+0.5	7.9	15	30	8.4	21	35	75
GN 114.6-8-80	8	80	2.8	0.6	10+0.5	7.9	15	30	8.4	21	35	80
GN 114.6-8-90	8	90	2.8	0.6	10+0.5	7.9	15	30	8.4	21	35	84
GN 114.6-8-100	8	100	2.8	0.6	10+0.5	7.9	15	30	8.4	21	35	86
GN 114.6-10-15	10	15	3.3	1	12+1	9.9	18	34	9.8	26	47	85
GN 114.6-10-20	10	20	3.3	1	12+1	9.9	18	34	9.8	26	47	87
GN 114.6-10-25	10	25	3.3	1	12+1	9.9	18	34	9.8	26	47	90
GN 114.6-10-30	10	30	3.3	1	12+1	9.9	18	34	9.8	26	47	93
GN 114.6-10-35	10	35	3.3	1	12+1	9.9	18	34	9.8	26	47	56
GN 114.6-10-40	10	40	3.3	1	12+1	9.9	18	34	9.8	26	47	99
GN 114.6-10-45	10	45	3.3	1	12+1	9.9	18	34	9.8	26	47	103
GN 114.6-10-50	10	50	3.3	1	12+1	9.9	18	34	9.8	26	47	106
GN 114.6-10-60	10	60	3.3	1	12+1	9.9	18	34	9.8	26	47	111
GN 114.6-10-70	10	70	3.3	1	12+1	9.9	18	34	9.8	26	47	116
GN 114.6-10-80	10	80	3.3	1	12+1	9.9	18	34	9.8	26	47	122
GN 114.6-10-90	10	90	3.3	1	12+1	9.9	18	34	9.8	26	47	128
GN 114.6-10-100	10	100	3.3	1	12+1	9.9	18	34	9.8	26	47	134
GN 114.6-10-110	10	110	3.3	1	12+1	9.9	18	34	9.8	26	47	140
GN 114.6-10-120	10	120	3.3	1	12+1	9.9	18	34	9.8	26	47	146
GN 114.6-12-20	12	20	3.8	1	14+1	11.9	18	34	11.3	26	75	94
GN 114.6-12-25	12	25	3.8	1	14+1	11.9	18	34	11.3	26	75	99
GN 114.6-12-30	12	30	3.8	1	14+1	11.9	18	34	11.3	26	75	104
GN 114.6-12-35	12	35	3.8	1	14+1	11.9	18	34	11.3	26	75	109
GN 114.6-12-40	12	40	3.8	1	14+1	11.9	18	34	11.3	26	75	113
GN 114.6-12-45	12	45	3.8	1	14+1	11.9	18	34	11.3	26	75	117
GN 114.6-12-50	12	50	3.8	1	14+1	11.9	18	34	11.3	26	75	121
GN 114.6-12-60	12	60	3.8	1	14+1	11.9	18	34	11.3	26	75	124
GN 114.6-12-70	12	70	3.8	1	14+1	11.9	18	34	11.3	26	75	139
GN 114.6-12-80	12	80	3.8	1	14+1	11.9	18	34	11.3	26	75	146
GN 114.6-12-90	12	90	3.8	1	14+1	11.9	18	34	11.3	26	75	155
GN 114.6-12-100	12	100	3.8	1	14+1	11.9	18	34	11.3	26	75	164
GN 114.6-12-110	12	110	3.8	1	14+1	11.9	18	34	11.3	26	75	172



Indexing elements



GN 114.6

STAINLESS STEEL

Description	d1 -0.1	l1 +0.4	a	b	d2	d3	d4	d5	l2	l3	Load in kN ≈ (Double sided shear force) see information	⚖
GN 114.6-12-120	12	120	3.8	1	14+1	11.9	18	34	11.3	26	138	180
GN 114.6-16-30	16	30	4.8	1.2	19+1	15.9	22	40	14.2	32	138	181
GN 114.6-16-35	16	35	4.8	1.2	19+1	15.9	22	40	14.2	32	138	188
GN 114.6-16-40	16	40	4.8	1.2	19+1	15.9	22	40	14.2	32	138	196
GN 114.6-16-45	16	45	4.8	1.2	19+1	15.9	22	40	14.2	32	138	203
GN 114.6-16-50	16	50	4.8	1.2	19+1	15.9	22	40	14.2	32	138	212
GN 114.6-16-60	16	60	4.8	1.2	19+1	15.9	22	40	14.2	32	138	226
GN 114.6-16-70	16	70	4.8	1.2	19+1	15.9	22	40	14.2	32	138	243
GN 114.6-16-80	16	80	4.8	1.2	19+1	15.9	22	40	14.2	32	138	258
GN 114.6-16-90	16	90	4.8	1.2	19+1	15.9	22	40	14.2	32	138	272
GN 114.6-16-100	16	100	4.8	1.2	19+1	15.9	22	40	14.2	32	138	288
GN 114.6-16-110	16	110	4.8	1.2	19+1	15.9	22	40	14.2	32	138	303
GN 114.6-16-120	16	120	4.8	1.2	19+1	15.9	22	40	14.2	32	138	319
GN 114.6-16-130	16	130	4.8	1.2	19+1	15.9	22	40	14.2	32	138	334
GN 114.6-16-140	16	140	4.8	1.2	19+1	15.9	22	40	14.2	32	138	349
GN 114.6-16-150	16	150	4.8	1.2	19+1	15.9	22	40	14.2	32	138	365
GN 114.6-20-30	20	30	4.8	1.2	23+1	19.8	25	40	14.8	33	228	219
GN 114.6-20-35	20	35	4.8	1.2	23+1	19.8	25	40	14.8	33	228	229
GN 114.6-20-40	20	40	4.8	1.2	23+1	19.8	25	40	14.8	33	228	241
GN 114.6-20-45	20	45	4.8	1.2	23+1	19.8	25	40	14.8	33	228	256
GN 114.6-20-50	20	50	4.8	1.2	23+1	19.8	25	40	14.8	33	228	266
GN 114.6-20-60	20	60	4.8	1.2	23+1	19.8	25	40	14.8	33	228	293
GN 114.6-20-70	20	70	4.8	1.2	23+1	19.8	25	40	14.8	33	228	314
GN 114.6-20-80	20	80	4.8	1.2	23+1	19.8	25	40	14.8	33	228	330
GN 114.6-20-90	20	90	4.8	1.2	23+1	19.8	25	40	14.8	33	228	361
GN 114.6-20-100	20	100	4.8	1.2	23+1	19.8	25	40	14.8	33	228	383
GN 114.6-20-110	20	110	4.8	1.2	23+1	19.8	25	40	14.8	33	228	405
GN 114.6-20-120	20	120	4.8	1.2	23+1	19.8	25	40	14.8	33	228	427
GN 114.6-20-130	20	130	4.8	1.2	23+1	19.8	25	40	14.8	33	228	450
GN 114.6-20-140	20	140	4.8	1.2	23+1	19.8	25	40	14.8	33	228	472
GN 114.6-20-150	20	150	4.8	1.2	23+1	19.8	25	40	14.8	33	228	494

Indexing elements 8