

Locking pins

Steel, with Axial Lock (Pawl)

SPECIFICATION

- Pin
- Steel
- Zinc plated, blue passivated
- Pawl
- Stainless Steel AISI 304 (sheet metal)
- Knob
- Plastic (Polyamide PA)
 - Black-gray
 - Temperature resistant up to 80 °C
- Push button / Slide
- Plastic
 - Push button: red
 - Temperature resistant up to 80 °C
- Pressure Spring
- Stainless Steel AISI 301



INFORMATION

Locking pins with axial lock GN 114.2 are used for quick fixing, connecting and locking of various jig and fixture systems. A typical application is location pins which have to be often removed and replaced again. The rectangular pawls made of Stainless Steel sheet metal keep the locking pin in an axial position in the bore. It can be retracted by pressing the button, once released it returns the pressure spring into its locking position. The technical appendix contains the load capacities for the double-sided shearing resistance (breaking strength).
 - Range of lock pins (see page 868)

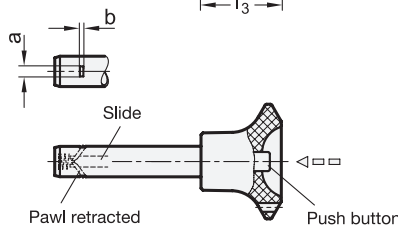
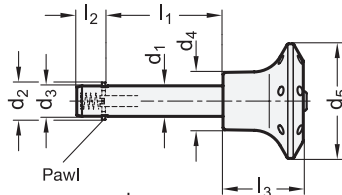
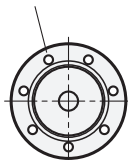
ACCESSORY

- Ball Chains GN 111 (see page 904) / GN 111.5 (see page 905)
- Retaining Cables GN 111.2 (see page 906)
- Spiral Retaining Cables GN 111.4 (see page 908)

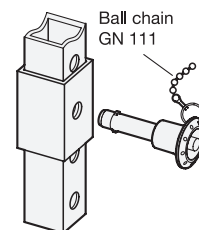
TECHNICAL INFORMATION

- ISO-Fundamental Tolerances (see page A21)
- Stainless Steel Characteristics (see page A26)

Bore for key ring (ball chain)



Application example



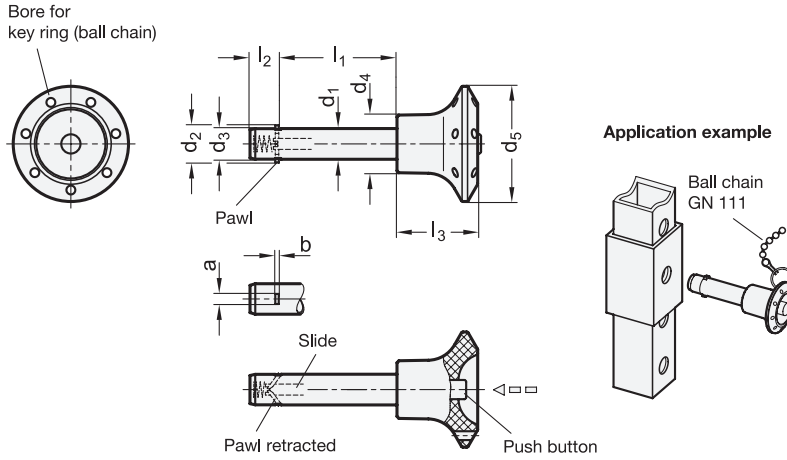
GN 114.2

Description	d1 -0.1	l1 +0.4	a	b	d2	d3	d4	d5	l2	l3	Load in kN ≈ (Double sided shear force) see information	⚖
GN 114.2-6-10	6	10	2.3	0.5	7.3+0.5	5.9	15	30	7	21	14	12
GN 114.2-6-12	6	12	2.3	0.5	7.3+0.5	5.9	15	30	7	21	14	12
GN 114.2-6-16	6	16	2.3	0.5	7.3+0.5	5.9	15	30	7	21	14	12
GN 114.2-6-20	6	20	2.3	0.5	7.3+0.5	5.9	15	30	7	21	14	13
GN 114.2-6-25	6	25	2.3	0.5	7.3+0.5	5.9	15	30	7	21	14	14
GN 114.2-6-30	6	30	2.3	0.5	7.3+0.5	5.9	15	30	7	21	14	15
GN 114.2-6-35	6	35	2.3	0.5	7.3+0.5	5.9	15	30	7	21	14	16
GN 114.2-6-40	6	40	2.3	0.5	7.3+0.5	5.9	15	30	7	21	14	16
GN 114.2-6-45	6	45	2.3	0.5	7.3+0.5	5.9	15	30	7	21	14	17
GN 114.2-6-50	6	50	2.3	0.5	7.3+0.5	5.9	15	30	7	21	14	18
GN 114.2-6-60	6	60	2.3	0.5	7.3+0.5	5.9	15	30	7	21	14	20
GN 114.2-6-70	6	70	2.3	0.5	7.3+0.5	5.9	15	30	7	21	14	22
GN 114.2-6-80	6	80	2.3	0.5	7.3+0.5	5.9	15	30	7	21	14	25
GN 114.2-8-10	8	10	2.8	0.6	9.8+0.5	7.9	15	30	8.4	21	28	12
GN 114.2-8-16	8	16	2.8	0.6	9.8+0.5	7.9	15	30	8.4	21	28	16
GN 114.2-8-20	8	20	2.8	0.6	9.8+0.5	7.9	15	30	8.4	21	28	17
GN 114.2-8-25	8	25	2.8	0.6	9.8+0.5	7.9	15	30	8.4	21	28	20
GN 114.2-8-30	8	30	2.8	0.6	9.8+0.5	7.9	15	30	8.4	21	28	21
GN 114.2-8-35	8	35	2.8	0.6	9.8+0.5	7.9	15	30	8.4	21	28	22
GN 114.2-8-40	8	40	2.8	0.6	9.8+0.5	7.9	15	30	8.4	21	28	24
GN 114.2-8-45	8	45	2.8	0.6	9.8+0.5	7.9	15	30	8.4	21	28	26
GN 114.2-8-50	8	50	2.8	0.6	9.8+0.5	7.9	15	30	8.4	21	28	28
GN 114.2-8-60	8	60	2.8	0.6	9.8+0.5	7.9	15	30	8.4	21	28	33
GN 114.2-8-70	8	70	2.8	0.6	9.8+0.5	7.9	15	30	8.4	21	28	36
GN 114.2-8-80	8	80	2.8	0.6	9.8+0.5	7.9	15	30	8.4	21	28	39
GN 114.2-8-90	8	90	2.8	0.6	9.8+0.5	7.9	15	30	8.4	21	28	40
GN 114.2-8-100	8	100	2.8	0.6	9.8+0.5	7.9	15	30	8.4	21	28	46
GN 114.2-10-15	10	15	3.3	1	11.7+1	9.9	18	34	9.8	26	38	26
GN 114.2-10-20	10	20	3.3	1	11.7+1	9.9	18	34	9.8	26	38	27
GN 114.2-10-25	10	25	3.3	1	11.7+1	9.9	18	34	9.8	26	38	30
GN 114.2-10-30	10	30	3.3	1	11.7+1	9.9	18	34	9.8	26	38	31
GN 114.2-10-35	10	35	3.3	1	11.7+1	9.9	18	34	9.8	26	38	33
GN 114.2-10-40	10	40	3.3	1	11.7+1	9.9	18	34	9.8	26	38	35
GN 114.2-10-45	10	45	3.3	1	11.7+1	9.9	18	34	9.8	26	38	39
GN 114.2-10-50	10	50	3.3	1	11.7+1	9.9	18	34	9.8	26	38	40
GN 114.2-10-60	10	60	3.3	1	11.7+1	9.9	18	34	9.8	26	38	46
GN 114.2-10-70	10	70	3.3	1	11.7+1	9.9	18	34	9.8	26	38	50
GN 114.2-10-80	10	80	3.3	1	11.7+1	9.9	18	34	9.8	26	38	55
GN 114.2-10-90	10	90	3.3	1	11.7+1	9.9	18	34	9.8	26	38	61
GN 114.2-10-100	10	100	3.3	1	11.7+1	9.9	18	34	9.8	26	38	65
GN 114.2-10-110	10	110	3.3	1	11.7+1	9.9	18	34	9.8	26	38	70
GN 114.2-10-120	10	120	3.3	1	11.7+1	9.9	18	34	9.8	26	38	74
GN 114.2-12-20	12	20	3.8	1	13.7+1	11.9	18	34	11.3	26	61	36
GN 114.2-12-25	12	25	3.8	1	13.7+1	11.9	18	34	11.3	26	61	39
GN 114.2-12-30	12	30	3.8	1	13.7+1	11.9	18	34	11.3	26	61	43
GN 114.2-12-35	12	35	3.8	1	13.7+1	11.9	18	34	11.3	26	61	45
GN 114.2-12-40	12	40	3.8	1	13.7+1	11.9	18	34	11.3	26	61	50
GN 114.2-12-45	12	45	3.8	1	13.7+1	11.9	18	34	11.3	26	61	53
GN 114.2-12-50	12	50	3.8	1	13.7+1	11.9	18	34	11.3	26	61	60
GN 114.2-12-60	12	60	3.8	1	13.7+1	11.9	18	34	11.3	26	61	63
GN 114.2-12-70	12	70	3.8	1	13.7+1	11.9	18	34	11.3	26	61	72
GN 114.2-12-80	12	80	3.8	1	13.7+1	11.9	18	34	11.3	26	61	77



8

Indexing elements



GN 114.2

Description	d1 - 0.1l1 + 0.4	a	b	d2	d3	d4	d5	l2	l3	Load in kN ≈ (Double sided shear force) see information	⚖	
GN 114.2-12-90	12	90	3.8	1	13.7+1	11.9	18	34	11.3	26	61	87
GN 114.2-12-100	12	100	3.8	1	13.7+1	11.9	18	34	11.3	26	61	94
GN 114.2-12-110	12	110	3.8	1	13.7+1	11.9	18	34	11.3	26	61	108
GN 114.2-12-120	12	120	3.8	1	13.7+1	11.9	18	34	11.3	26	61	110
GN 114.2-16-30	16	30	3.8	1.2	18.7+1	15.9	22	40	14.2	32	113	79
GN 114.2-16-35	16	35	4.8	1.2	18.7+1	15.9	22	40	14.2	32	113	85
GN 114.2-16-40	16	40	4.8	1.2	18.7+1	15.9	22	40	14.2	32	113	92
GN 114.2-16-45	16	45	4.8	1.2	18.7+1	15.9	22	40	14.2	32	113	99
GN 114.2-16-50	16	50	4.8	1.2	18.7+1	15.9	22	40	14.2	32	113	107
GN 114.2-16-60	16	60	4.8	1.2	18.7+1	15.9	22	40	14.2	32	113	119
GN 114.2-16-70	16	70	4.8	1.2	18.7+1	15.9	22	40	14.2	32	113	133
GN 114.2-16-80	16	80	4.8	1.2	18.7+1	15.9	22	40	14.2	32	113	146
GN 114.2-16-90	16	90	4.8	1.2	18.7+1	15.9	22	40	14.2	32	113	161
GN 114.2-16-100	16	100	4.8	1.2	18.7+1	15.9	22	40	14.2	32	113	174
GN 114.2-16-110	16	110	4.8	1.2	18.7+1	15.9	22	40	14.2	32	113	187
GN 114.2-16-120	16	120	4.8	1.2	18.7+1	15.9	22	40	14.2	32	113	200
GN 114.2-16-130	16	130	4.8	1.2	18.7+1	15.9	22	40	14.2	32	113	215
GN 114.2-16-140	16	140	4.8	1.2	18.7+1	15.9	22	40	14.2	32	113	230
GN 114.2-16-150	16	150	4.8	1.2	18.7+1	15.9	22	40	14.2	32	113	244
GN 114.2-20-30	20	30	4.8	1.2	22.7+1	19.8	25	40	14.8	33	187	118
GN 114.2-20-35	20	35	4.8	1.2	22.7+1	19.8	25	40	14.8	33	187	129
GN 114.2-20-40	20	40	4.8	1.2	22.7+1	19.8	25	40	14.8	33	187	139
GN 114.2-20-45	20	45	4.8	1.2	22.7+1	19.8	25	40	14.8	33	187	151
GN 114.2-20-50	20	50	4.8	1.2	22.7+1	19.8	25	40	14.8	33	187	162
GN 114.2-20-60	20	60	4.8	1.2	22.7+1	19.8	25	40	14.8	33	187	184
GN 114.2-20-70	20	70	4.8	1.2	22.7+1	19.8	25	40	14.8	33	187	207
GN 114.2-20-80	20	80	4.8	1.2	22.7+1	19.8	25	40	14.8	33	187	229
GN 114.2-20-90	20	90	4.8	1.2	22.7+1	19.8	25	40	14.8	33	187	258
GN 114.2-20-100	20	100	4.8	1.2	22.7+1	19.8	25	40	14.8	33	187	275
GN 114.2-20-110	20	110	4.8	1.2	22.7+1	19.8	25	40	14.8	33	187	300
GN 114.2-20-120	20	120	4.8	1.2	22.7+1	19.8	25	40	14.8	33	187	324
GN 114.2-20-130	20	130	4.8	1.2	22.7+1	19.8	25	40	14.8	33	187	342
GN 114.2-20-140	20	140	4.8	1.2	22.7+1	19.8	25	40	14.8	33	187	368
GN 114.2-20-150	20	150	4.8	1.2	22.7+1	19.8	25	40	14.8	33	187	390