

Ball Lock Pins

Pin Stainless Steel AISI 303, with T-Handle

SPECIFICATION

- Pin
Stainless Steel AISI 303
- T-Handle
Plastic (Polyamide PA)
 - Black
 - Temperature resistant up to 80 °C
- Balls
Stainless Steel AISI 420C
- Pressure Spring
Stainless Steel
German Material No. 14565



INFORMATION

Ball lock pins GN 113.7 are used for quick fixing, connecting and locking of various parts and workpieces. A typical application is locating pins which have often to be removed and installed again. By pressing the spring loaded push button both balls are unlocked and by releasing it, the balls are locked again. The technical appendix contains the load capacities for the double-sided shearing resistance (breaking strength).

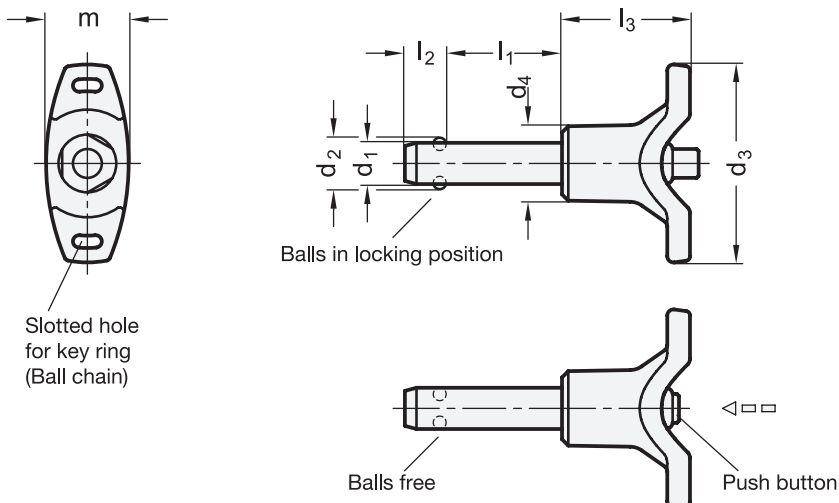
- Range of lock pins (see page 868)

ACCESSORY

- Ball Chains GN 111 (see page 904)/ Ball Chains GN 111.5 (see page 905)
- Retaining Cables GN 111.2 (see page 906)
- Spiral Retaining Cables GN 111.4 (see page 908)

TECHNICAL INFORMATION

- ISO-Fundamental Tolerances (see page A21)
- Plastic Characteristics (see page A2)
- Stainless Steel Characteristics (see page A26)



GN 113.7

STAINLESS STEEL

Description	d1 -0.04/-0.08	l1 +0.6	d2	d3	d4	l2 ±1	l3	m	Location bore H11	Load in kN ≈ Double sided shearing resistance according DIN 50141 (Breaking strength)	⚖️
GN 113.7-5-10	5	10	5.5	40	13.5	6	25	15.5	5	14	14
GN 113.7-5-15	5	15	5.5	40	13.5	6	25	15.5	5	14	15
GN 113.7-5-20	5	20	5.5	40	13.5	6	25	15.5	5	14	16
GN 113.7-5-25	5	25	5.5	40	13.5	6	25	15.5	5	14	17
GN 113.7-5-30	5	30	5.5	40	13.5	6	25	15.5	5	14	18
GN 113.7-5-35	5	35	5.5	40	13.5	6	25	15.5	5	14	20
GN 113.7-5-40	5	40	5.5	40	13.5	6	25	15.5	5	14	21
GN 113.7-5-45	5	45	5.5	40	13.5	6	25	15.5	5	14	22
GN 113.7-5-50	5	50	5.5	40	13.5	6	25	15.5	5	14	23
GN 113.7-5-60	5	60	5.5	40	13.5	6	25	15.5	5	14	24
GN 113.7-5-70	5	70	5.5	40	13.5	6	25	15.5	5	14	26
GN 113.7-5-80	5	80	5.5	40	13.5	6	25	15.5	5	14	27
GN 113.7-6-10	6	10	7	40	13.5	7.1	25	15.5	6	21	16
GN 113.7-6-15	6	15	7	40	13.5	7.1	25	15.5	6	21	17
GN 113.7-6-20	6	20	7	40	13.5	7.1	25	15.5	6	21	18
GN 113.7-6-25	6	25	7	40	13.5	7.1	25	15.5	6	21	19
GN 113.7-6-30	6	30	7	40	13.5	7.1	25	15.5	6	21	20
GN 113.7-6-35	6	35	7	40	13.5	7.1	25	15.5	6	21	21
GN 113.7-6-40	6	40	7	40	13.5	7.1	25	15.5	6	21	22
GN 113.7-6-45	6	45	7	40	13.5	7.1	25	15.5	6	21	23
GN 113.7-6-50	6	50	7	40	13.5	7.1	25	15.5	6	21	24
GN 113.7-6-60	6	60	7	40	13.5	7.1	25	15.5	6	21	29
GN 113.7-6-70	6	70	7	40	13.5	7.1	25	15.5	6	21	31
GN 113.7-6-80	6	80	7	40	13.5	7.1	25	15.5	6	21	34
GN 113.7-8-10	8	10	9.5	48	18	8.2	31	20.5	8	38	39
GN 113.7-8-15	8	15	9.5	48	18	8.2	31	20.5	8	38	41
GN 113.7-8-20	8	20	9.5	48	18	8.2	31	20.5	8	38	40
GN 113.7-8-25	8	25	9.5	48	18	8.2	31	20.5	8	38	42
GN 113.7-8-30	8	30	9.5	48	18	8.2	31	20.5	8	38	44
GN 113.7-8-35	8	35	9.5	48	18	8.2	31	20.5	8	38	46
GN 113.7-8-40	8	40	9.5	48	18	8.2	31	20.5	8	38	48
GN 113.7-8-45	8	45	9.5	48	18	8.2	31	20.5	8	38	50
GN 113.7-8-50	8	50	9.5	48	18	8.2	31	20.5	8	38	53
GN 113.7-8-60	8	60	9.5	48	18	8.2	31	20.5	8	38	55
GN 113.7-8-70	8	70	9.5	48	18	8.2	31	20.5	8	38	63
GN 113.7-8-80	8	80	9.5	48	18	8.2	31	20.5	8	38	67
GN 113.7-8-90	8	90	9.5	48	18	8.2	31	20.5	8	38	71
GN 113.7-8-100	8	100	9.5	48	18	8.2	31	20.5	8	38	75
GN 113.7-10-15	10	15	12	48	18	9.6	31	20.5	10	60	45
GN 113.7-10-20	10	20	12	48	18	9.6	31	20.5	10	60	47
GN 113.7-10-25	10	25	12	48	18	9.6	31	20.5	10	60	50
GN 113.7-10-30	10	30	12	48	18	9.6	31	20.5	10	60	54
GN 113.7-10-35	10	35	12	48	18	9.6	31	20.5	10	60	56
GN 113.7-10-40	10	40	12	48	18	9.6	31	20.5	10	60	59
GN 113.7-10-45	10	45	12	48	18	9.6	31	20.5	10	60	62
GN 113.7-10-50	10	50	12	48	18	9.6	31	20.5	10	60	65
GN 113.7-10-60	10	60	12	48	18	9.6	31	20.5	10	60	71
GN 113.7-10-70	10	70	12	48	18	9.6	31	20.5	10	60	81
GN 113.7-10-80	10	80	12	48	18	9.6	31	20.5	10	60	88
GN 113.7-10-90	10	90	12	48	18	9.6	31	20.5	10	60	94
GN 113.7-10-100	10	100	12	48	18	9.6	31	20.5	10	60	100
GN 113.7-10-110	10	110	12	48	18	9.6	31	20.5	10	60	106
GN 113.7-10-120	10	120	12	48	18	9.6	31	20.5	10	60	112



Indexing elements



Indexing elements 8

GN 113.7

STAINLESS STEEL

Description	d1 -0.04/-0.08	l1 +0.6	d2	d3	d4	l2 ±1	l3	m	Location bore H11	Load in kN ≈ Double sided shearing resistance according DIN 50141 (Breaking strength)	⚖️
GN 113.7-12-20	12	20	14.5	58	24	10.6	36.5	27.5	12	87	90
GN 113.7-12-25	12	25	14.5	58	24	10.6	36.5	27.5	12	87	94
GN 113.7-12-30	12	30	14.5	58	24	10.6	36.5	27.5	12	87	100
GN 113.7-12-35	12	35	14.5	58	24	10.6	36.5	27.5	12	87	104
GN 113.7-12-40	12	40	14.5	58	24	10.6	36.5	27.5	12	87	109
GN 113.7-12-45	12	45	14.5	58	24	10.6	36.5	27.5	12	87	113
GN 113.7-12-50	12	50	14.5	58	24	10.6	36.5	27.5	12	87	117
GN 113.7-12-60	12	60	14.5	58	24	10.6	36.5	27.5	12	87	125
GN 113.7-12-70	12	70	14.5	58	24	10.6	36.5	27.5	12	87	134
GN 113.7-12-80	12	80	14.5	58	24	10.6	36.5	27.5	12	87	142
GN 113.7-12-90	12	90	14.5	58	24	10.6	36.5	27.5	12	87	163
GN 113.7-12-100	12	100	14.5	58	24	10.6	36.5	27.5	12	87	172
GN 113.7-12-110	12	110	14.5	58	24	10.6	36.5	27.5	12	87	181
GN 113.7-12-120	12	120	14.5	58	24	10.6	36.5	27.5	12	87	190
GN 113.7-16-30	16	30	19	58	24	14	36.5	27.5	16	155	132
GN 113.7-16-35	16	35	19	58	24	14	36.5	27.5	16	155	140
GN 113.7-16-40	16	40	19	58	24	14	36.5	27.5	16	155	148
GN 113.7-16-45	16	45	19	58	24	14	36.5	27.5	16	155	155
GN 113.7-16-50	16	50	19	58	24	14	36.5	27.5	16	155	172
GN 113.7-16-60	16	60	19	58	24	14	36.5	27.5	16	155	187
GN 113.7-16-70	16	70	19	58	24	14	36.5	27.5	16	155	194
GN 113.7-16-80	16	80	19	58	24	14	36.5	27.5	16	155	209
GN 113.7-16-90	16	90	19	58	24	14	36.5	27.5	16	155	239
GN 113.7-16-100	16	100	19	58	24	14	36.5	27.5	16	155	254
GN 113.7-16-110	16	110	19	58	24	14	36.5	27.5	16	155	270
GN 113.7-16-120	16	120	19	58	24	14	36.5	27.5	16	155	286
GN 113.7-16-130	16	130	19	58	24	14	36.5	27.5	16	155	302
GN 113.7-16-140	16	140	19	58	24	14	36.5	27.5	16	155	318
GN 113.7-16-150	16	150	19	58	24	14	36.5	27.5	16	155	334
GN 113.7-20-50	20	50	25	80	34	20.5	46.5	38	20	244	352
GN 113.7-20-60	20	60	25	80	34	20.5	46.5	38	20	244	377
GN 113.7-20-70	20	70	25	80	34	20.5	46.5	38	20	244	401
GN 113.7-20-80	20	80	25	80	34	20.5	46.5	38	20	244	426
GN 113.7-20-90	20	90	25	80	34	20.5	46.5	38	20	244	451
GN 113.7-20-100	20	100	25	80	34	20.5	46.5	38	20	244	476
GN 113.7-20-110	20	110	25	80	34	20.5	46.5	38	20	244	501
GN 113.7-20-120	20	120	25	80	34	20.5	46.5	38	20	244	526
GN 113.7-20-130	20	130	25	80	34	20.5	46.5	38	20	244	550
GN 113.7-20-140	20	140	25	80	34	20.5	46.5	38	20	244	575
GN 113.7-20-150	20	150	25	80	34	20.5	46.5	38	20	244	600
GN 113.7-25-50	25	50	30.8	80	34	22	46.5	38	25	386	457
GN 113.7-25-60	25	60	30.8	80	34	22	46.5	38	25	386	496
GN 113.7-25-70	25	70	30.8	80	34	22	46.5	38	25	386	534
GN 113.7-25-80	25	80	30.8	80	34	22	46.5	38	25	386	573
GN 113.7-25-90	25	90	30.8	80	34	22	46.5	38	25	386	612
GN 113.7-25-100	25	100	30.8	80	34	22	46.5	38	25	386	651
GN 113.7-25-110	25	110	30.8	80	34	22	46.5	38	25	386	690
GN 113.7-25-120	25	120	30.8	80	34	22	46.5	38	25	386	728
GN 113.7-25-130	25	130	30.8	80	34	22	46.5	38	25	386	767
GN 113.7-25-140	25	140	30.8	80	34	22	46.5	38	25	386	806
GN 113.7-25-150	25	150	30.8	80	34	22	46.5	38	25	386	845